



Technical Guide for Cold-Formed Steel Framing Products

Technical Data in this publication is applicable to the following SFIA Member Company:

For a complete directory of SFIA Members who are certified for compliance with the International Building Code and all applicable ASTM and AISI Standards:

http://www.archtest.com/certification/SFIA_SteelFraming_Intertek.aspx

The data in this guide is based upon the 2016 American Iron and Steel Institute's S100-16 "North American Specification for the Design of Cold-Formed Steel Structural Members", the 2015 American Iron and Steel Institute's S240-15 "North American Specification for Cold-Formed Steel Structural Framing", and meets the requirements of the IBC 2018 Building Code, as well as the 2016 California Building Code and 2017 Florida Building Code.

Complies with the 2018 IBC, AISI S100-16, and AISI S240-15

The Steel Framing Industry Association (SFIA) was formed with the objective of assisting companies having interests in the cold-formed steel framing industry to be more successful by unifying the industry to expand the market for the use of cold formed steel systems through:

- (a) Quality Assurance
- (b) Promotion
- (c) Advocacy
- (d) Education
- (e) Innovation

The SFIA developed this Industry leading product technical guide to comply with the latest building codes and standards. The data in this catalog based on the American Iron and Steel Institute's AISI S100-16 "North American Specification for the Design of Cold-Formed Steel Structural Members and meets the requirements of the 2018 International Building Code (IBC). While building codes vary by jurisdiction, this program follows the most recent international standards published by the International Code Council.

Material Specification

Products manufactured by SFIA members are formed from steel with a minimum yield stress of 33 or 50 kips per square inch (ksi). Unless noted otherwise, all products covered in this SFIA catalog are engineered to meet the 2016 edition of the American Iron and Steel Institute (AISI) S100-16, "North American Specification of the Design of Cold-Formed Steel Structural Members" and other AISI standards referenced in Section 2210 of the 2018 International Building Code (IBC-2018). The structural properties in this SFIA catalog have been computed based on allowable stress design (ASD) which includes distortional buckling considerations for all Stud Sections. For fastener tables, screw sizes and head diameters do not refer to specific fasteners which may or may not be available from SFIA member companies. Shear and tension data for screws was developed using published manufacturer data and evaluation reports available at the time of publications.

Disclaimer

A concerted effort has been made to ensure the accuracy of the technical data represented in this catalog. The Steel Framing Industry Association makes no representation, warranty, or guarantee in connection with this technical data and expressly disclaims any liability or responsibility for failure resulting from the use or misapplication of computations, detail drawings and specifications contained herein. All data, specifications and details contained in this catalog publications are intended as a general guide for using SFIA member companies products. These products should not be used in design or construction without an independent evaluation by a qualified engineer or architect to verify the suitability of a particular product for use in a specific application. This publication contains the latest information available at the time of printing. The SFIA and its member companies reserve the right to make modifications and/or change materials of any of their products without prior notice or obligation. For the latest information regarding a particular manufacturer's products contact that manufacturer. All SFIA manufacturers may not produce all of the products listed in this catalog. Please contact manufacturer to verify product availability.

Table of Contents

INTRODUCTION	Inside Front Cover	Floor Joist Span Tables	58
Material Specifications	Inside Front Cover	Allowable Floor Joist Span Table Notes	58
Disclaimer	Inside Front Cover	Allowable Floor Joist Spans	59
Table of Contents	1	Header Load Tables	72
General Product Information	2	Header Load Table Notes	72
Product Identification	2	Header Allowable Uniform Loads	73
Thickness – Steel Components	3	Web Crippling Load Tables	77
Design Stiffening Lip Length	3	Web Crippling Load Table Notes	77
General Notes for all Tables	3	Web Crippling Conditions	77
Definitions of Structural Property Symbols	4	Allowable Web Crippling Loads – Single Members	78
Section Properties	5	Allowable Web Crippling Loads – Back-to-Back Members	80
Section Properties Table Notes	5	Channel Properties	82
Non-Structural (S) Stud Section Properties	6	U-Channel Section Properties	82
Structural (S) Stud Section Properties	7	U-Channel Allowable Ceiling Spans	82
Structural (T) Track Section Properties	11	(Hat) Furring (F) Channel Section Properties	83
Web Depth to Thickness Ratios	16	(Hat) Furring (F) Channel Allowable Ceiling Spans	83
Wall Height Tables	17	Fasteners (Screws and Welds)	85
Interior Non-Structural Non-Composite	17	Allowable Loads for Screw Connections	85
Interior Non-Structural Composite	20	Allowable Loads for Fillet Welds and Flare Groove Welds	86
Limiting Wall Heights – Curtain Wall Single-Span Table Notes	22	Typical Details	87
Limiting Wall Heights – Curtain Wall Single-Span	23	Joist Bridging	87
Combined Axial and Lateral Load Tables	33	Strapping Lateral Bracing	88
Combined Axial and Lateral Load Table Notes	33	Additional Technical Resources	89
Allowable Axial Loads	34	Fire Rated Assemblies and Generic CFS Products	90
		SFIA Information	Back Cover

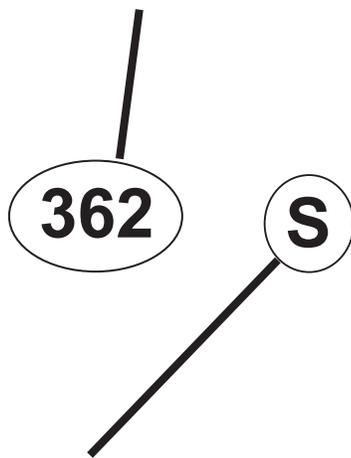
General Product Information

The Steel Framing Industry Association (SFIA) supports the industry standard nomenclature published in the American Iron and Steel Institute's (AISI) General Provisions, S200. The AISI S200 states in Section A5.2 that *"structural members and non-structural members shall use a four-part product designator that identifies the size (both web depth and flange width), style, and thickness."* An example of this designator is shown below:

EXAMPLE:

MEMBER DEPTH:

(Example: 3-5/8" = 3.625" ~ 362 x 1/100 inches)
All member depths are taken in 1/100 inches.
For all "T" Sections, member depth is the inside to inside dimension.

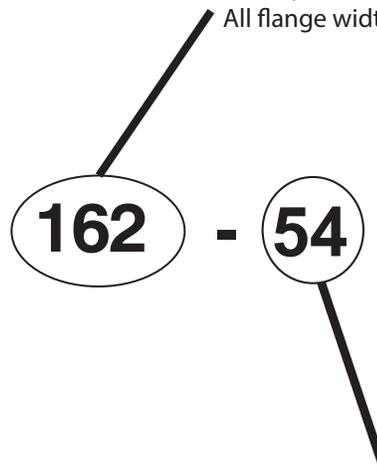


STYLE:

(Example: Stud or Joist section = S)
The five alpha characters utilized by the designator system are:
S = Stud or Joist Sections
T = Track Sections
U = Channel Sections
F = Furring Channel Sections
L = Angle or L-header

FLANGE WIDTH:

(Example: 1-5/8" = 1.625" ~ 162 x 1/100 inches)
All flange widths are taken in 1/100 inches.



MATERIAL THICKNESS:

(Example: 0.054 in = 54 mils; 1 mil = 1/1000 in.)
Material thickness is the minimum base metal thickness in mils. Minimum base metal thickness represents 95% of the design thickness.

NOTE: For Structural members 54 mil (16 gauge) and thicker, that have both 33 and 50 ksi yield strength options shown, the designer shall identify which yield strength he has specified and the manufacturer shall label the product with the yield strength.

Thickness Table

Designation Thickness (Mils)	Minimum Thickness ¹ (in)	Design Thickness (in)	Design Inside Corner Radii ² (in)	Reference Gauge No.
18	0.0179	0.0188	0.0844	25
27	0.0269	0.0283	0.0796	22
30	0.0296	0.0312	0.0782	20-Drywall
33	0.0329	0.0346	0.0765	20-Structural
43	0.0428	0.0451	0.0712	18
54	0.0538	0.0566	0.0849	16
68	0.0677	0.0713	0.1070	14
97	0.0966	0.1017	0.1526	12
118	0.1180	0.1242	0.1863	10

Stiffening Lip Length

Section	Flange Width	Design Stiffening Lip Length (in)
S125	1 1/4"	0.188
S137	1 3/8"	0.375
S162	1 5/8"	0.500
S200	2"	0.625
S250	2 1/2"	0.625
S300	3"	0.625
S350	3 1/2"	1.000

¹ Minimum Thickness represents 95% of the design thickness and is the minimum acceptable thickness delivered to the jobsite based on section A2.4 of the AISI S100-16.

² The tables in this catalog are calculated based on inside corner radii listed in this table.

General Notes for all Tables

- Where AISI S100-16 is referenced, it is the "North American Specification for the Design of Cold-Formed Steel Structural Members", 2016 Edition, with US provisions.
- The strength increase from cold work of forming has been incorporated for flexural strength per Section A7.2 of AISI S100-16.
- The effective moment of inertia for deflection is calculated at a stress which results in a section modulus such that the stress times the section modulus at that stress is equal to the allowable moment. AISI S100-16 Specification Procedure 1 for serviceability determination has been used. Increases in the effective moment of Inertia (I_{xe}) may be possible at lower stress levels. Any modified values would be required to be calculated by a qualified engineer.
- Various sections may be manufactured with yield points of 33 or 50 ksi. The yield point used for calculations are listed in the tables.
- For sections available in both 33 and 50 ksi, the specifier must be clearly indicate which yield point is required. For example: 362S162-68 (50ksi).
- When provided, factory punchouts will be located along the centerline of the webs of the members and will have a minimum center-to-center spacing of 24 inches. Punchouts for members greater than 2.5 inches deep are a maximum of 1.5 inches wide x 4 inches long.

Members with depths 2.5 inches and smaller are maximum of 3/4 inches wide x 4 inches long.

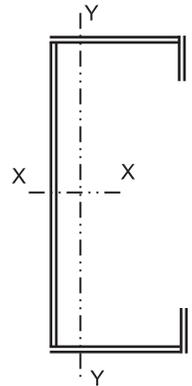
Definitions of Structural Property Symbols

Gross Properties

- I_x: Moment of inertia of gross section about the X-X axis (strong axis).
S_x: Section modulus about the X-X axis (strong axis).
R_x: Radius of gyration of the gross section about the X-X axis.
I_y: Moment of inertia of gross section about the Y-Y axis (weak axis).
R_y: Radius of gyration of the gross section about the Y-Y axis.

Effective Properties

- I_{xe}: Effective moment of inertia about the X-axis.
S_{xe}: Effective section modulus about the X-X axis (strong axis) stress = F_y.
M_a: Allowable Bending Moment - Based on the effective section modulus and the allowable stress including the strength increase from the cold-work of forming (Section A3.3.2) where applicable.
M_{ad}: Allowable Bending Moment - Based on Distortional Buckling Strength calculated per Sections F4, F4.1 of AISI S100-16.
V_{ag}: Allowable strong axis shear away from punchout, calculated in accordance with Section G2 of AISI S100-16.
V_{anet}: Allowable strong axis shear at punchout, calculated in accordance with Section G3 of AISI S100-16.



Torsional and Other Properties

- J: St. Venant Torsional Constant.
C_w: Torsional warping constant.
m: Distance from shear center to mid-plane of web.
X_o: Distance from the shear center to the centroid along the principal X-axis.
R_o: Polar radius of gyration about the centroidal principal axis.
b: $1 - (X_o/R_o)^2$
L_u: The longest weak axis (L_y) and torsional (L_t) unbraced length at which lateral torsional buckling is restrained in accordance with Section F2.1 of AISI S100-16.

Section Properties Table Notes

1. Calculated properties are based on AISI S100-126 "North American Specification for the Design of Cold-Formed Steel Structural Members."
2. The centerline bend radius is based upon inside corner radii shown in Table as shown in the Thickness Table (page 3).
3. Effective properties incorporate the strength increase from the cold work of forming as applicable per AISI A3.3.2.
4. Tabulated gross properties, including torsional properties, are based upon full-unreduced cross section of the studs, away from punchouts.
5. For deflection calculations, use the effective moment of inertia.
6. Allowable moment includes cold-work of forming.
7. For the steels that have both 33 and 50 ksi listing, if the design is based upon 50 ksi, the 50 ksi steel needs to be specified. (Example: 3625 S137 16-50 (50 ksi)).
8. Web depth for track sections is equal to the nominal stud width plus 2 times the design thickness plus the bend radius. Hems on nonstructural track sections are ignored.

Section Properties

Non-Structural (S) Stud Section Properties

Member	Design Thickness (in)	F _y (ksi)	Area (in ²)	Weight (lb/ft)	Gross Properties					Effective Properties					Torsional Properties					L _v (in)		
					I _x (in ⁴)	S _x (in ³)	R _x (in)	I _y (in ⁴)	R _y (in)	I _x (in ⁴)	S _x (in ³)	M _a (in-k)	M _{ed} (in-k)	V _a (lb)	V _{a,net} (lb)	J x 1000 (in ⁴)	C _w (in ⁶)	X _o (in)	m (in)		R _o (in)	β
162S125-18	0.0188	33	0.080	0.27	0.038	0.046	0.686	0.016	0.447	0.034	0.031	0.61	0.59	302	100	0.009	0.009	-1.029	0.594	1.315	0.388	29.0
162S125-27	0.0283	33	0.120	0.41	0.056	0.069	0.682	0.023	0.443	0.055	0.053	1.05	1.05	494	106	0.032	0.013	-1.018	0.587	1.303	0.390	29.1
162S125-30	0.0312	33	0.132	0.45	0.061	0.075	0.681	0.026	0.441	0.060	0.060	1.19	1.27	543	106	0.043	0.014	-1.014	0.585	1.299	0.390	29.2
162S125-33	0.0346	33	0.145	0.49	0.067	0.083	0.679	0.028	0.440	0.066	0.069	1.37	1.46	601	105	0.058	0.016	-1.010	0.583	1.294	0.391	29.3
250S125-18	0.0188	33	0.097	0.33	0.099	0.079	1.014	0.019	0.439	0.089	0.060	1.18	0.93	258	196	0.011	0.023	-0.904	0.543	1.428	0.599	29.0
250S125-27	0.0283	33	0.144	0.49	0.147	0.118	1.009	0.027	0.434	0.145	0.098	1.93	1.68	685	344	0.039	0.034	-0.893	0.537	1.416	0.602	28.9
250S125-30	0.0312	33	0.159	0.54	0.161	0.129	1.008	0.030	0.433	0.159	0.110	2.18	1.92	832	378	0.052	0.037	-0.890	0.535	1.413	0.603	28.9
250S125-33	0.0346	33	0.176	0.60	0.178	0.142	1.007	0.033	0.431	0.175	0.126	2.48	2.23	975	399	0.070	0.040	-0.886	0.532	1.409	0.604	28.9
250S125-43	0.0451	33	0.227	0.77	0.228	0.182	1.002	0.041	0.427	0.226	0.177	3.49	3.21	1265	394	0.154	0.050	-0.874	0.526	1.396	0.608	28.9
250S125-54	0.0566	33	0.280	0.95	0.277	0.222	0.994	0.049	0.419	0.277	0.218	4.98	4.31	1553	373	0.299	0.060	-0.859	0.518	1.379	0.612	26.8
350S125-18	0.0188	33	0.115	0.39	0.215	0.123	1.366	0.021	0.423	0.197	0.072	1.42	1.33	180	159	0.014	0.050	-0.798	0.495	1.638	0.763	28.8
350S125-27	0.0283	33	0.173	0.59	0.320	0.183	1.361	0.030	0.419	0.313	0.130	2.57	2.43	614	359	0.046	0.073	-0.788	0.489	1.627	0.766	28.7
350S125-30	0.0312	33	0.190	0.65	0.351	0.201	1.360	0.033	0.417	0.346	0.150	2.97	2.80	824	436	0.062	0.079	-0.784	0.488	1.624	0.767	28.6
350S125-33	0.0346	33	0.210	0.72	0.388	0.222	1.358	0.036	0.416	0.382	0.175	3.46	3.25	1024	487	0.084	0.087	-0.781	0.485	1.621	0.768	28.6
350S125-43	0.0451	33	0.272	0.93	0.498	0.284	1.352	0.046	0.411	0.493	0.258	5.10	4.77	1739	631	0.185	0.109	-0.769	0.479	1.609	0.771	28.5
350S125-54	0.0566	33	0.337	1.15	0.609	0.348	1.344	0.055	0.403	0.609	0.328	6.49	6.46	2253	633	0.360	0.131	-0.755	0.472	1.593	0.775	28.4
362S125-18	0.0188	33	0.118	0.40	0.234	0.129	1.409	0.021	0.421	0.215	0.075	1.48	1.38	173	163	0.014	0.054	-0.786	0.490	1.667	0.778	28.8
362S125-27	0.0283	33	0.176	0.60	0.347	0.192	1.404	0.031	0.416	0.340	0.135	2.67	2.52	592	370	0.047	0.079	-0.776	0.484	1.657	0.781	28.6
362S125-30	0.0312	33	0.194	0.66	0.381	0.210	1.402	0.033	0.415	0.375	0.156	3.09	2.91	794	449	0.063	0.086	-0.773	0.482	1.654	0.782	28.6
362S125-33	0.0346	33	0.215	0.73	0.421	0.232	1.401	0.037	0.413	0.415	0.182	3.60	3.39	1024	521	0.086	0.094	-0.770	0.480	1.651	0.783	28.5
362S125-43	0.0451	33	0.278	0.95	0.541	0.298	1.395	0.046	0.408	0.535	0.269	5.32	4.96	1739	676	0.188	0.118	-0.758	0.474	1.640	0.786	28.4
362S125-54	0.0566	33	0.344	1.17	0.661	0.365	1.386	0.055	0.401	0.661	0.343	6.78	6.78	2341	705	0.367	0.142	-0.744	0.466	1.624	0.790	28.3
400S125-18 ¹	0.0188	33	0.125	0.42	0.294	0.147	1.536	0.021	0.415	0.273	0.083	1.64	1.53	156	156	0.015	0.068	-0.755	0.475	1.761	0.816	28.7
400S125-27	0.0283	33	0.187	0.64	0.438	0.219	1.531	0.031	0.410	0.428	0.151	2.98	2.81	533	398	0.050	0.098	-0.745	0.469	1.751	0.819	28.5
400S125-30	0.0312	33	0.206	0.70	0.481	0.240	1.529	0.034	0.409	0.473	0.174	3.44	3.25	715	484	0.067	0.108	-0.742	0.467	1.748	0.820	28.5
400S125-33	0.0346	33	0.228	0.77	0.531	0.265	1.527	0.038	0.407	0.523	0.203	4.02	3.78	976	595	0.091	0.118	-0.738	0.465	1.745	0.821	28.4
400S125-43	0.0451	33	0.295	1.00	0.682	0.341	1.522	0.048	0.402	0.676	0.302	5.96	5.57	1739	810	0.200	0.148	-0.727	0.459	1.734	0.824	28.2
400S125-54	0.0566	33	0.365	1.24	0.836	0.418	1.512	0.057	0.394	0.836	0.387	7.65	7.64	2603	944	0.390	0.178	-0.713	0.452	1.718	0.828	28.1
550S125-18 ¹	0.0188	33	0.153	0.52	0.630	0.229	2.029	0.023	0.390	0.534	0.132	2.61	2.12	112	112	0.018	0.141	-0.651	0.423	2.166	0.910	28.2
550S125-27	0.0283	33	0.229	0.78	0.939	0.341	2.023	0.034	0.385	0.898	0.246	4.87	3.92	382	382	0.061	0.205	-0.642	0.417	2.158	0.912	27.9
550S125-30	0.0312	33	0.252	0.86	1.032	0.375	2.022	0.037	0.384	0.996	0.286	5.65	4.55	512	512	0.082	0.224	-0.639	0.416	2.155	0.912	27.9
550S125-33	0.0346	33	0.279	0.95	1.140	0.415	2.020	0.041	0.382	1.112	0.335	6.63	5.33	699	699	0.112	0.246	-0.636	0.414	2.152	0.913	27.8
550S125-43	0.0451	33	0.362	1.23	1.469	0.534	2.013	0.052	0.377	1.458	0.500	9.89	7.99	1550	1199	0.246	0.309	-0.626	0.408	2.142	0.915	27.6
550S125-54	0.0566	33	0.450	1.53	1.806	0.657	2.003	0.062	0.370	1.805	0.647	12.79	11.14	2739	1666	0.481	0.374	-0.613	0.401	2.127	0.917	27.3
600S125-18 ²	0.0188	33	0.162	0.55	0.779	0.260	2.190	0.024	0.382	0.648	0.145	2.86	2.27	102	102	0.019	0.172	-0.623	0.408	2.308	0.927	28.0
600S125-27 ¹	0.0283	33	0.243	0.83	1.161	0.387	2.184	0.035	0.378	1.097	0.271	5.35	4.27	349	349	0.065	0.251	-0.614	0.403	2.300	0.929	27.7
600S125-30	0.0312	33	0.268	0.91	1.276	0.425	2.182	0.038	0.376	1.219	0.315	6.22	4.96	468	468	0.087	0.274	-0.611	0.401	2.297	0.929	27.7
600S125-33	0.0346	33	0.297	1.01	1.410	0.470	2.180	0.042	0.375	1.361	0.370	7.31	5.82	638	638	0.118	0.300	-0.608	0.399	2.294	0.930	27.6
600S125-43	0.0451	33	0.385	1.31	1.818	0.606	2.173	0.053	0.370	1.807	0.555	10.97	8.76	1416	1240	0.261	0.379	-0.598	0.393	2.284	0.931	27.3
600S125-54	0.0566	33	0.479	1.63	2.237	0.746	2.162	0.063	0.362	2.236	0.728	14.38	12.29	2739	1890	0.511	0.457	-0.586	0.386	2.269	0.933	27.1
800S125-33 ¹	0.0346	33	0.366	1.24	2.883	0.721	2.807	0.044	0.347	2.657	0.508	10.03	7.57	474	474	0.146	0.583	-0.519	0.350	2.875	0.967	26.6
800S125-43	0.0451	33	0.475	1.62	3.723	0.931	2.799	0.056	0.342	3.583	0.773	15.28	11.58	1051	1051	0.322	0.735	-0.510	0.344	2.866	0.968	26.4
800S125-54	0.0566	33	0.592	2.01	4.596	1.149	2.787	0.066	0.335	4.568	1.035	20.46	14.71	2091	2091	0.632	0.890	-0.500	0.338	2.851	0.969	26.0

¹ Web-height to thickness ratio exceeds 200. Web Stiffeners are required at all support points and concentrated loads.

² When web height-to thickness ratio exceeds 260, or flange width-to-thickness ratio exceeds 60, effective properties are not calculated (limitations in AISI Section B4.1).

See Section Properties Table Notes on page 5.

Section Properties



Structural (S) Stud Section Properties

Member	Design Thickness (in)	F _y (ksi)	Area (in ²)	Weight (lb/ft)	Gross Properties					Effective Properties					Torsional Properties					L _v (in)		
					I _x (in ⁴)	S _x (in ³)	R _x (in)	I _y (in ⁴)	R _y (in)	I _x (in ⁴)	S _x (in ³)	M _{ax} (in-k)	M _{ed} (in-k)	V _a (lb)	V _{net} (lb)	J x 1000 (in ⁶)	C _w (in ⁶)	X _o (in)	m (in)		R _y (in)	β
250S137-33	0.0346	33	0.197	0.67	0.203	0.163	1.015	0.052	0.515	0.203	0.158	3.11	2.72	975	399	0.079	0.076	-1.141	0.677	1.612	0.499	35.6
250S137-43	0.0451	33	0.255	0.87	0.261	0.208	1.011	0.067	0.511	0.261	0.205	4.53	4.03	1265	394	0.173	0.096	-1.129	0.670	1.599	0.501	33.6
250S137-54	0.0566	33	0.316	1.07	0.318	0.255	1.004	0.080	0.504	0.318	0.255	5.76	5.72	1553	373	0.337	0.115	-1.115	0.663	1.583	0.504	33.4
250S137-68	0.0713	50	0.316	1.07	0.318	0.255	1.004	0.080	0.504	0.318	0.244	8.22	7.16	2353	565	0.337	0.115	-1.115	0.663	1.583	0.504	27.1
250S162-33	0.0346	33	0.390	1.33	0.386	0.309	0.995	0.096	0.495	0.386	0.308	10.66	9.42	2866	519	0.661	0.138	-1.096	0.653	1.561	0.507	26.8
250S162-43	0.0451	33	0.223	0.76	0.235	0.188	1.027	0.087	0.624	0.235	0.180	3.55	3.41	975	399	0.089	0.146	-1.470	0.859	1.898	0.401	44.1
250S162-54	0.0566	33	0.289	0.98	0.302	0.242	1.022	0.111	0.620	0.302	0.240	5.22	4.72	1265	394	0.196	0.184	-1.457	0.852	1.885	0.402	42.1
250S162-68	0.0713	50	0.358	1.22	0.370	0.296	1.016	0.135	0.613	0.370	0.296	6.57	6.53	1553	373	0.383	0.223	-1.443	0.845	1.868	0.404	41.8
350S162-33	0.0346	33	0.358	1.22	0.370	0.296	1.016	0.135	0.613	0.370	0.284	9.42	8.32	2353	565	0.383	0.223	-1.443	0.845	1.868	0.404	33.9
350S162-43	0.0451	33	0.443	1.51	0.450	0.360	1.008	0.162	0.605	0.450	0.357	12.11	11.97	2866	519	0.752	0.268	-1.424	0.835	1.847	0.405	33.7
350S162-54	0.0566	33	0.258	0.88	0.508	0.291	1.404	0.098	0.617	0.508	0.257	5.09	5.02	1024	487	0.103	0.277	-1.324	0.796	2.026	0.573	42.7
350S162-68	0.0713	50	0.334	1.14	0.655	0.374	1.400	0.125	0.612	0.654	0.357	7.05	7.00	1739	631	0.227	0.350	-1.312	0.789	2.014	0.575	42.6
350S200-33	0.0346	33	0.415	1.41	0.805	0.460	1.393	0.152	0.606	0.804	0.447	8.83	8.84	2253	633	0.443	0.426	-1.298	0.782	1.998	0.578	42.7
350S200-43	0.0451	33	0.415	1.41	0.805	0.460	1.393	0.152	0.606	0.804	0.426	12.74	12.35	3372	947	0.443	0.426	-1.298	0.782	1.998	0.578	34.5
350S200-54	0.0566	33	0.515	1.75	0.985	0.563	1.383	0.184	0.597	0.985	0.549	16.44	16.12	4203	897	0.872	0.514	-1.280	0.772	1.977	0.581	34.5
350S200-68	0.0713	50	0.1017	50	0.711	2.42	1.321	0.755	0.579	1.321	0.739	26.20	25.89	5705	775	2.452	0.672	-1.242	0.752	1.932	0.587	34.7
350S200-97	0.1017	50	0.379	1.29	0.771	0.441	1.426	0.224	0.768	0.771	0.410	8.09	8.08	1739	631	0.257	0.687	-1.748	1.032	2.383	0.462	53.7
362S137-33	0.0346	33	0.471	1.60	0.950	0.543	1.420	0.274	0.762	0.950	0.530	10.48	10.42	2253	633	0.503	0.838	-1.733	1.024	2.367	0.464	53.8
362S137-43	0.0451	33	0.471	1.60	0.950	0.543	1.420	0.274	0.762	0.950	0.470	14.07	14.26	3372	947	0.503	0.838	-1.733	1.024	2.367	0.464	43.5
362S137-54	0.0566	33	0.586	1.99	1.167	0.667	1.411	0.333	0.754	1.167	0.638	19.11	18.87	4203	897	0.993	1.018	-1.715	1.014	2.345	0.465	43.5
362S137-68	0.0713	50	0.813	2.77	1.577	0.901	1.393	0.440	0.736	1.577	0.885	30.53	28.42	5705	775	2.803	1.347	-1.676	0.994	2.300	0.469	43.9
362S162-33	0.0346	33	0.236	0.80	0.479	0.264	1.424	0.059	0.501	0.479	0.232	4.59	4.45	1024	521	0.094	0.165	-1.003	0.615	1.813	0.694	34.7
362S162-43	0.0451	33	0.306	1.04	0.616	0.340	1.419	0.075	0.497	0.616	0.320	6.33	6.26	1739	676	0.207	0.208	-0.991	0.608	1.801	0.697	34.6
362S162-54	0.0566	33	0.379	1.29	0.756	0.417	1.412	0.091	0.490	0.756	0.402	7.95	7.98	2341	705	0.405	0.251	-0.978	0.601	1.786	0.700	34.6
362S162-68	0.0713	50	0.379	1.29	0.756	0.417	1.412	0.091	0.490	0.756	0.382	11.42	11.07	3372	1016	0.405	0.251	-0.978	0.601	1.786	0.700	27.9
362S200-33	0.0346	33	0.470	1.60	0.923	0.509	1.401	0.109	0.481	0.923	0.493	14.77	13.87	4370	1004	0.797	0.302	-0.959	0.592	1.765	0.704	27.8
362S200-43	0.0451	33	0.262	0.89	0.551	0.304	1.450	0.099	0.616	0.551	0.268	5.29	5.20	1024	521	0.105	0.297	-1.308	0.789	2.048	0.592	42.6
362S200-54	0.0566	33	0.340	1.16	0.710	0.392	1.445	0.127	0.611	0.710	0.372	7.34	7.29	1739	676	0.230	0.376	-1.297	0.782	2.036	0.594	42.5
362S200-68	0.0713	50	0.422	1.44	0.873	0.482	1.438	0.154	0.605	0.873	0.467	9.22	9.27	2341	705	0.451	0.457	-1.283	0.774	2.020	0.597	42.5
362S200-97	0.1017	50	0.422	1.44	0.873	0.482	1.438	0.154	0.605	0.873	0.444	13.28	12.87	3372	1016	0.451	0.457	-1.283	0.774	2.020	0.597	34.4
362S250-33	0.0346	33	0.524	1.78	1.069	0.590	1.429	0.186	0.596	1.069	0.574	17.19	16.91	4370	1004	0.887	0.552	-1.264	0.765	1.999	0.600	34.4
362S250-43	0.0451	33	0.724	2.46	1.436	0.792	1.408	0.241	0.577	1.436	0.776	27.54	27.05	5943	875	2.496	0.723	-1.226	0.745	1.954	0.606	34.5
362S250-54	0.0566	33	0.297	1.01	0.648	0.358	1.478	0.177	0.772	0.642	0.294	5.81	5.98	1024	521	0.118	0.577	-1.741	1.030	2.411	0.478	53.6
362S250-68	0.0713	50	0.385	1.31	0.836	0.461	1.474	0.227	0.767	0.836	0.427	8.43	8.41	1739	676	0.261	0.734	-1.729	1.024	2.398	0.480	53.5
362S250-97	0.1017	50	0.479	1.63	1.030	0.568	1.467	0.277	0.761	1.030	0.553	10.93	10.91	2341	705	0.511	0.896	-1.715	1.016	2.382	0.482	53.6
362S300-33	0.0346	33	0.479	1.63	1.030	0.568	1.467	0.277	0.761	1.030	0.490	14.66	14.84	3372	1016	0.511	0.896	-1.715	1.016	2.382	0.482	43.3
362S300-43	0.0451	33	0.595	2.02	1.266	0.698	1.458	0.337	0.753	1.266	0.666	19.95	19.67	4370	1004	1.008	1.089	-1.696	1.006	2.360	0.484	43.3
362S300-54	0.0566	33	0.826	2.81	1.712	0.945	1.440	0.446	0.735	1.712	0.929	32.04	29.65	5943	875	2.847	1.441	-1.658	0.986	2.316	0.487	43.6
362S300-68	0.0713	50	0.430	1.46	0.980	0.541	1.510	0.385	0.946	0.980	0.449	8.88	9.06	1739	676	0.292	1.230	-2.199	1.277	2.830	0.396	64.1
362S300-97	0.1017	50	0.535	1.82	1.210	0.668	1.504	0.473	0.940	1.210	0.582	11.51	12.06	2341	705	0.571	1.506	-2.184	1.269	2.813	0.397	64.3
362S350-33	0.0346	33	0.535	1.82	1.210	0.668	1.504	0.473	0.940	1.198	0.514	15.40	15.93	3372	1016	0.571	1.506	-2.184	1.269	2.813	0.397	52.0
362S350-43	0.0451	33	0.666	2.27	1.491	0.823	1.496	0.578	0.931	1.491	0.689	20.64	21.32	4370	1004	1.129	1.837	-2.165	1.259	2.791	0.398	52.0
362S350-54	0.0566	33	0.927	3.16	2.028	1.119	1.479	0.773	0.913	2.028	1.056	35.51	32.47	5943	875	3.197	2.452	-2.126	1.239	2.746	0.401	52.5
362S350-68	0.0713	50	0.366	1.24	0.871	0.481	1.543	0.463	1.125							0.146	1.478	-2.686	1.537	3.296	0.336	74.3
362S350-97	0.1017	50	0.475	1.62	1.125	0.621	1.539	0.596	1.120							0.322	1.888	-2.674	1.530	3.282	0.336	74.3
400S137-33	0.0346	33	0.592	2.01	1.391	0.767	1.533	0.734	1.114	1.379	0.607	11.99	12.82	2341	705	0.632	2.316	-2.659	1.522	3.265	0.337	74.5
400S137-43	0.0451	33	0.592	2.01	1.391	0.767	1.533	0.734	1.114	1.295	0.529	15.83	16.82	3372	1016	0.632	2.316	-2.659	1.522	3.265	0.337	60.2
400S137-54	0.0566	33	0.738	2.51	1.716	0.947	1.525	0.900	1.105	1.681	0.716	21.45	22.59	4370	1004	1.250	2.833	-2.640	1.512	3.243	0.337	60.4
400S137-68	0.0713	50	1.029	3.50	2.343	1.293	1.509	1.213	1.086	2.318	1.150	34.44	35.10	5943	875	3.548	3.803	-2.600	1.491	3.196	0.338	60.9
400S137-97	0.1017	50	0.249	0.85	0.603	0.302	1.556	0.061	0.496	0.603	0.259	5.12	4.98	976	595	0.099	0.204	-0.965	0.597	1.897	0.741	34.5
400S162-33	0.0346	33	0.323	1.10	0.776	0.388	1.551	0.078	0.491	0.776	0.359	7.09	7.03	1739	810	0.219	0.257	-0.954	0.591	1.886	0.744	34.3

Section Properties



Structural (S) Stud Section Properties

Member	Design Thickness (in)	F _y (ksi)	Area (in ²)	Weight (lb/ft)	Gross Properties				Effective Properties						Torsional Properties						L _c (in)	
					I _x (in ⁴)	S _x (in ³)	R _x (in)	I _y (in ⁴)	R _y (in)	I _e (in ⁴)	S _e (in ³)	M _x (in-k)	M _y (in-k)	V _a (lb)	V _a (lb)	J x 1000 (in ⁶)	C _w (in ⁶)	X _c (in)	m (in)	R _x (in)		β
800S162-33 ¹	0.0346	33	0.413	1.41	3.583	0.896	2.944	0.125	0.550	3.385	0.710	14.03	12.16	474	474	0.165	1.630	-0.936	0.607	3.138	0.911	40.1
800S162-43	0.0451	33	0.537	1.83	4.635	1.159	2.938	0.160	0.546	4.500	1.019	20.14	17.62	1051	1051	0.364	2.076	-0.926	0.601	3.128	0.912	39.8
800S162-54	0.0566	33	0.670	2.28	5.737	1.434	2.927	0.194	0.539	5.702	1.334	26.36	23.96	2091	2091	0.715	2.539	-0.914	0.594	3.114	0.914	39.6
800S162-54	0.0566	50	0.670	2.28	5.737	1.434	2.927	0.194	0.539	5.600	1.229	36.79	31.31	2091	2091	0.715	2.539	-0.914	0.594	3.114	0.914	32.1
800S162-68	0.0713	50	0.836	2.84	7.092	1.773	2.913	0.235	0.530	7.070	1.664	49.81	42.89	4221	3367	1.416	3.093	-0.899	0.586	3.094	0.916	31.9
800S162-97	0.1017	50	1.169	3.98	9.717	2.429	2.883	0.305	0.511	9.714	2.429	72.71	68.22	10885	5938	4.030	4.114	-0.866	0.568	3.053	0.920	31.4
800S162-118	0.1242	50	1.407	4.79	11.509	2.877	2.860	0.347	0.496	11.506	2.876	105.24	105.24	16235	7115	7.234	4.766	-0.842	0.556	3.023	0.922	28.0
800S200-33 ¹	0.0346	33	0.448	1.52	4.097	1.024	3.024	0.227	0.712	4.096	0.816	16.12	14.09	474	474	0.179	2.971	-1.288	0.817	3.363	0.853	50.6
800S200-43	0.0451	33	0.582	1.98	5.303	1.326	3.018	0.292	0.708	5.302	1.293	25.54	20.34	1051	1051	0.395	3.797	-1.277	0.811	3.353	0.855	50.3
800S200-54	0.0566	33	0.726	2.47	6.574	1.644	3.009	0.357	0.701	6.573	1.643	35.75	27.55	2091	2091	0.775	4.663	-1.265	0.804	3.338	0.856	47.8
800S200-54	0.0566	50	0.726	2.47	6.574	1.644	3.009	0.357	0.701	6.573	1.499	44.87	36.01	2091	2091	0.775	4.663	-1.265	0.804	3.338	0.856	40.7
800S200-68	0.0713	50	0.907	3.09	8.143	2.036	2.996	0.435	0.692	8.141	1.964	65.21	49.13	4221	3367	1.537	5.712	-1.248	0.796	3.319	0.859	38.4
800S200-97	0.1017	50	1.271	4.32	11.207	2.802	2.970	0.577	0.674	11.204	2.801	96.63	77.83	10885	5938	4.381	7.684	-1.214	0.777	3.278	0.863	37.2
800S200-118	0.1242	50	1.531	5.21	13.320	3.330	2.950	0.666	0.659	13.317	3.329	117.97	99.21	16235	7115	7.872	8.981	-1.188	0.764	3.248	0.866	36.5
800S250-43	0.0451	33	0.627	2.13	6.017	1.504	3.097	0.500	0.893	6.015	1.314	25.96	21.41	1051	1051	0.425	6.374	-1.675	1.043	3.632	0.787	61.5
800S250-54	0.0566	33	0.783	2.66	7.467	1.867	3.089	0.614	0.886	7.466	1.712	33.82	29.16	2091	2091	0.836	7.850	-1.661	1.036	3.617	0.789	61.4
800S250-54	0.0566	50	0.783	2.66	7.467	1.867	3.089	0.614	0.886	7.378	1.525	45.66	37.84	2091	2091	0.836	7.850	-1.661	1.036	3.617	0.789	49.8
800S250-68	0.0713	50	0.978	3.33	9.263	2.316	3.077	0.752	0.877	9.241	2.059	61.65	51.85	4221	3367	1.658	9.652	-1.644	1.027	3.597	0.791	49.6
800S250-97	0.1017	50	1.372	4.67	12.793	3.198	3.053	1.009	0.858	12.790	3.054	102.70	83.02	10885	5938	4.731	13.091	-1.607	1.008	3.555	0.796	46.4
800S250-118	0.1242	50	1.655	5.63	15.246	3.811	3.035	1.176	0.843	15.243	3.707	127.52	107.04	16235	7115	8.511	15.395	-1.580	0.994	3.524	0.799	45.6
800S300-54	0.0566	50	0.839	2.86	8.360	2.090	3.156	0.959	1.069	7.863	1.535	45.97	38.97	2091	2091	0.896	12.076	-2.073	1.271	3.924	0.721	58.6
800S300-68	0.0713	50	1.050	3.57	10.384	2.596	3.145	1.179	1.060	10.084	2.145	64.22	53.66	4221	3367	1.779	14.888	-2.055	1.262	3.904	0.723	58.4
800S300-97	0.1017	50	1.474	5.01	14.379	3.595	3.123	1.595	1.040	14.172	3.304	98.93	62.32	10885	5938	5.082	20.304	-2.017	1.243	3.861	0.727	58.1
800S300-118	0.1242	50	1.779	6.05	17.172	4.293	3.107	1.872	1.026	17.021	4.108	138.43	112.62	16235	7115	9.149	23.979	-1.989	1.229	3.829	0.730	54.5
800S350-54	0.0566	33	0.938	3.19	9.685	2.421	3.213	1.646	1.324	9.478	2.125	41.98	30.23	2091	2091	1.002	22.897	-2.766	1.668	4.442	0.612	90.0
800S350-54	0.0566	50	0.938	3.19	9.685	2.421	3.213	1.646	1.324	9.191	1.869	55.97	48.11	2091	2091	1.002	22.897	-2.766	1.668	4.442	0.612	73.1
800S350-68	0.0713	50	1.174	4.00	12.048	3.012	3.203	2.034	1.316	11.910	2.596	77.74	65.96	4221	3367	1.990	28.308	-2.748	1.658	4.421	0.614	72.9
800S350-97	0.1017	50	1.652	5.62	16.741	4.185	3.183	2.784	1.298	16.739	3.766	113.35	105.79	10885	5938	5.696	38.834	-2.710	1.639	4.378	0.617	72.7
800S350-118	0.1242	50	1.997	6.79	20.045	5.011	3.168	3.296	1.285	20.043	4.783	158.04	136.67	16235	7115	10.267	46.068	-2.682	1.624	4.346	0.619	68.9
1000S162-43 ¹	0.0451	33	0.627	2.13	8.028	1.606	3.577	0.168	0.518	7.523	1.302	25.74	21.70	836	836	0.425	3.430	-0.823	0.545	3.707	0.951	38.8
1000S162-54	0.0566	33	0.783	2.66	9.954	1.991	3.566	0.204	0.511	9.628	1.722	34.02	29.91	1661	1661	0.836	4.198	-0.812	0.538	3.693	0.952	38.5
1000S162-54	0.0566	50	0.783	2.66	9.954	1.991	3.566	0.204	0.511	9.391	1.572	47.07	38.68	1661	1661	0.836	4.198	-0.812	0.538	3.693	0.952	31.3
1000S162-68	0.0713	50	0.978	3.33	12.330	2.466	3.550	0.247	0.502	11.979	2.155	64.51	53.74	3345	3345	1.658	5.121	-0.798	0.531	3.673	0.953	31.0
1000S162-97	0.1017	50	1.372	4.67	16.974	3.395	3.517	0.320	0.483	16.968	3.270	97.90	87.70	9864	7177	4.731	8.827	-0.768	0.514	3.632	0.955	30.4
1000S162-118	0.1242	50	1.655	5.63	20.177	4.035	3.491	0.364	0.469	20.171	4.034	120.78	120.41	16235	9536	8.511	7.924	-0.746	0.502	3.601	0.957	30.0
1000S200-43 ¹	0.0451	33	0.672	2.29	9.088	1.818	3.676	0.309	0.677	8.603	1.470	29.05	25.40	836	836	0.456	6.236	-1.147	0.743	3.910	0.914	49.3
1000S200-54	0.0566	33	0.839	2.86	11.282	2.256	3.666	0.378	0.671	10.954	1.984	39.20	34.77	1661	1661	0.896	7.665	-1.135	0.737	3.896	0.915	49.1
1000S200-54	0.0566	50	0.839	2.86	11.282	2.256	3.666	0.378	0.671	10.770	1.750	51.05	45.06	1661	1661	0.896	7.665	-1.135	0.737	3.896	0.915	39.8
1000S200-68	0.0713	50	1.050	3.57	13.999	2.800	3.652	0.460	0.662	13.666	2.420	72.47	62.15	3345	3345	1.779	9.401	-1.120	0.729	3.877	0.917	39.6
1000S200-97	0.1017	50	1.474	5.01	19.343	3.869	3.622	0.610	0.643	19.337	3.741	112.01	100.50	9864	7177	5.082	12.679	-1.088	0.711	3.836	0.920	39.0
1000S200-118	0.1242	50	1.779	6.05	23.060	4.612	3.600	0.704	0.629	23.054	4.611	138.05	130.17	16235	9536	9.149	14.848	-1.064	0.699	3.806	0.922	38.7
1000S250-43 ¹	0.0451	33	0.717	2.44	10.205	2.041	3.771	0.531	0.860	10.203	1.617	31.95	26.87	836	836	0.486	10.481	-1.518	0.965	4.155	0.867	60.7
1000S250-54	0.0566	33	0.896	3.05	12.681	2.536	3.762	0.653	0.854	12.677	2.277	44.99	36.94	1661	1661	0.957	12.922	-1.505	0.958	4.141	0.868	60.5
1000S250-54	0.0566	50	0.896	3.05	12.681	2.536	3.762	0.653	0.854	12.661	1.879	56.27	47.66	1661	1661	0.957	12.922	-1.505	0.958	4.141	0.868	49.1
1000S250-68	0.0713	50	1.121	3.81	15.756	3.151	3.749	0.799	0.844	15.742	2.769	82.90	66.09	3345	3345	1.899	15.909	-1.488	0.950	4.121	0.870	48.8
1000S250-97	0.1017	50	1.576	5.36	21.834	4.367	3.722	1.073	0.825	21.828	4.181	140.63	107.14	9864	7177	5.433	21.632	-1.454	0.932	4.080	0.873	45.6
1000S250-118	0.1242	50	1.904	6.48	26.088	5.218	3.702	1.251	0.811	26.082	5.083	174.85	139.63	16235	9536	9.788	25.490	-1.428	0.918	4.050	0.876	44.8
1000S300-54	0.0566	33	0.953	3.24	14.080	2.816	3.845	1.024	1.037	13.938	2.312	45.70	38.27	1661	1661	1.017	19.888	-1.892	1.185	4.409	0.816	71.5
1000S300-54	0.0566	50	0.953	3.24	14.080	2.816	3.845	1.024	1.037	13.441	1.903	56.97	49.12	1661	1661	1.017	19.888	-1.892	1.185	4.409	0.816	58.0
1000S300-68	0.0713	50	1.192	4.06	17.513	3.503	3.833	1.258	1.027	17.099	2.802	83.90	68.23	3345	3345							

Section Properties

Structural (S) Stud Section Properties

Member	Design Thickness (in)	F _y (ksi)	Area (in ²)	Weight (lb/ft)	Gross Properties					Effective Properties					Torsional Properties							
					I _x (in ⁴)	S _x (in ³)	R _x (in)	I _y (in ⁴)	R _y (in)	I _x (in ⁴)	S _x (in ³)	M _x (in-k)	M _{ed} (in-k)	V _{ay} (lb)	V _{net} (lb)	J x 1000 (in ⁴)	C _w (in ⁶)	X _o (in)	m (in)	R _o (in)	β	L _u (in)
1200S250-68	0.0713	50	1.263	4.30	24.491	4.082	4.403	0.836	0.813	23.576	3.007	90.04	79.05	2771	2771	2.141	24.034	-1.362	0.884	4.680	0.915	48.1
1200S250-97	0.1017	50	1.779	6.05	34.027	5.671	4.373	1.122	0.794	33.837	5.038	150.83	130.54	8147	7411	6.134	32.734	-1.329	0.867	4.639	0.918	47.5
1200S250-118	0.1242	50	2.152	7.32	40.740	6.790	4.351	1.308	0.780	40.728	6.542	195.86	171.85	14986	11037	11.065	38.619	-1.305	0.854	4.609	0.920	47.1
1200S300-54 ¹	0.0566	33	1.066	3.63	21.705	3.618	4.513	1.074	1.004	21.650	2.736	54.06	46.00	1377	1377	1.138	30.051	-1.743	1.111	4.941	0.876	70.7
1200S300-54 ²	0.0566	50	1.066	3.63	21.705	3.618	4.513	1.074	1.004	21.045	2.273	68.04	58.81	1377	1377	1.138	30.051	-1.743	1.111	4.941	0.876	57.4
1200S300-68	0.0713	50	1.335	4.54	27.028	4.505	4.500	1.320	0.994	26.510	3.317	99.33	82.33	2771	2771	2.262	37.126	-1.726	1.103	4.921	0.877	57.2
1200S300-97	0.1017	50	1.881	6.40	37.627	6.271	4.473	1.787	0.975	37.087	5.831	174.58	136.41	8147	7411	6.484	50.853	-1.691	1.085	4.880	0.880	56.7
1200S300-118	0.1242	50	2.276	7.74	45.119	7.520	4.452	2.096	0.960	44.722	7.232	243.68	180.23	14986	11037	11.704	60.251	-1.666	1.071	4.850	0.882	53.0
1200S350-54 ¹	0.0566	50	1.165	3.96	24.866	4.144	4.620	1.866	1.266	24.089	2.788	83.47	73.43	1377	1377	1.244	54.279	-2.363	1.478	5.342	0.804	71.4
1200S350-54 ²	0.0566	50	1.165	3.96	24.866	4.144	4.620	1.866	1.266	24.089	2.788	83.47	73.43	1377	1377	1.244	54.279	-2.363	1.478	5.342	0.804	71.4
1200S350-68	0.0713	50	1.460	4.97	31.004	5.167	4.609	2.306	1.257	30.917	4.062	121.60	101.62	2771	2771	2.473	67.251	-2.346	1.469	5.322	0.806	71.2
1200S350-97	0.1017	50	2.059	7.00	43.280	7.213	4.585	3.159	1.239	43.270	6.590	197.32	166.01	8147	7411	7.098	92.672	-2.310	1.450	5.281	0.809	70.8
1200S350-118	0.1242	50	2.494	8.48	52.006	8.668	4.567	3.742	1.225	51.995	8.260	274.08	217.31	14986	11037	12.821	110.302	-2.284	1.436	5.251	0.811	66.9
1400S200-54 ¹	0.0566	33	1.066	3.63	25.961	3.709	4.936	0.406	0.617	23.768	2.866	56.63	46.88	1177	1177	1.138	16.355	-0.946	0.633	5.063	0.965	47.0
1400S200-54 ²	0.0566	50	1.066	3.63	25.961	3.709	4.936	0.406	0.617	23.201	2.440	73.06	59.92	1177	1177	1.138	16.355	-0.946	0.633	5.063	0.965	38.2
1400S200-68	0.0713	50	1.335	4.54	32.297	4.614	4.919	0.494	0.608	29.798	3.505	104.93	84.28	2365	2365	2.262	20.083	-0.932	0.625	5.043	0.966	37.9
1400S200-97	0.1017	50	1.881	6.40	44.870	6.410	4.884	0.655	0.590	43.619	5.580	167.08	141.26	6939	6939	6.484	27.156	-0.904	0.609	5.002	0.967	37.3
1400S200-118	0.1242	50	2.276	7.74	53.719	7.674	4.858	0.756	0.576	53.525	7.097	212.48	187.34	12745	11287	11.704	31.861	-0.883	0.598	4.971	0.968	36.8
1400S250-54 ¹	0.0566	33	1.122	3.82	28.712	4.102	5.058	0.707	0.794	26.759	2.927	57.84	50.71	1177	1177	1.198	27.675	-1.272	0.835	5.275	0.942	58.6
1400S250-54 ²	0.0566	50	1.122	3.82	28.712	4.102	5.058	0.707	0.794	26.148	2.527	75.65	64.73	1177	1177	1.198	27.675	-1.272	0.835	5.275	0.942	47.6
1400S250-68	0.0713	50	1.406	4.78	35.755	5.108	5.043	0.865	0.784	33.568	3.550	106.30	91.04	2365	2365	2.383	34.118	-1.257	0.827	5.256	0.943	47.3
1400S250-97	0.1017	50	1.983	6.74	49.781	7.112	5.011	1.161	0.765	48.652	6.011	179.96	152.50	6939	6939	6.835	46.520	-1.225	0.811	5.215	0.945	46.7
1400S250-118	0.1242	50	2.400	8.17	59.697	8.528	4.987	1.353	0.751	59.508	7.881	235.96	203.26	12745	11287	12.342	54.927	-1.203	0.798	5.185	0.946	46.2
1400S300-54 ¹	0.0566	33	1.179	4.01	31.463	4.495	5.166	1.115	0.972	29.584	3.019	59.66	53.21	1177	1177	1.259	42.690	-1.617	1.046	5.500	0.914	69.9
1400S300-54 ²	0.0566	50	1.179	4.01	31.463	4.495	5.166	1.115	0.972	27.235	2.580	77.26	67.77	1177	1177	1.259	42.690	-1.617	1.046	5.500	0.914	56.8
1400S300-68	0.0713	50	1.477	5.03	39.213	5.602	5.152	1.370	0.963	36.295	3.655	109.43	95.45	2365	2365	2.503	52.772	-1.601	1.038	5.480	0.915	56.5
1400S300-97	0.1017	50	2.084	7.09	54.692	7.813	5.123	1.854	0.943	53.232	6.373	190.80	160.22	6939	6939	7.186	72.365	-1.568	1.020	5.440	0.917	55.9
1400S300-118	0.1242	50	2.525	8.59	65.676	9.382	5.100	2.175	0.928	65.574	8.427	252.31	213.33	12745	11287	12.981	85.812	-1.544	1.008	5.409	0.919	55.5
1600S200-68 ¹	0.0713	50	1.477	5.03	45.310	5.664	5.538	0.506	0.585	40.526	4.045	121.11	93.27	2062	2062	2.503	27.155	-0.862	0.584	5.635	0.977	37.1
1600S200-68 ²	0.0713	50	1.477	5.03	45.310	5.664	5.538	0.506	0.585	40.526	4.045	121.11	93.27	2062	2062	2.503	27.155	-0.862	0.584	5.635	0.977	37.1
1600S200-97	0.1017	50	2.084	7.09	63.076	7.885	5.501	0.671	0.567	59.936	6.500	194.62	158.61	6043	6043	7.186	36.744	-0.835	0.569	5.593	0.978	36.4
1600S200-118	0.1242	50	2.525	8.59	75.633	9.454	5.473	0.774	0.554	74.087	8.332	249.45	212.31	11088	11088	12.981	43.132	-0.815	0.558	5.561	0.979	35.9
1600S250-68 ¹	0.0713	50	1.549	5.27	49.832	6.229	5.673	0.889	0.758	45.551	4.092	122.52	101.72	2062	2062	2.624	46.230	-1.167	0.778	5.841	0.960	46.5
1600S250-68 ²	0.0713	50	1.549	5.27	49.832	6.229	5.673	0.889	0.758	45.551	4.092	122.52	101.72	2062	2062	2.624	46.230	-1.167	0.778	5.841	0.960	46.5
1600S250-97	0.1017	50	2.186	7.44	69.503	8.688	5.639	1.193	0.739	66.581	6.983	209.07	172.62	6043	6043	7.536	63.082	-1.138	0.762	5.800	0.962	45.9
1600S250-118	0.1242	50	2.649	9.01	83.459	10.432	5.613	1.390	0.724	81.927	9.223	276.13	231.24	11088	11088	13.620	74.524	-1.116	0.750	5.769	0.963	45.4
1600S300-68 ¹	0.0713	50	1.620	5.51	54.355	6.794	5.793	1.411	0.933	49.116	4.210	126.05	107.46	2062	2062	2.745	71.608	-1.494	0.981	6.055	0.939	55.8
1600S300-68 ²	0.0713	50	1.620	5.51	54.355	6.794	5.793	1.411	0.933	49.116	4.210	126.05	107.46	2062	2062	2.745	71.608	-1.494	0.981	6.055	0.939	55.8
1600S300-97	0.1017	50	2.288	7.78	75.929	9.491	5.761	1.910	0.914	72.678	7.391	221.30	182.59	6043	6043	7.887	98.275	-1.463	0.964	6.014	0.941	55.1
1600S300-118	0.1242	50	2.773	9.43	91.284	11.411	5.738	2.240	0.899	89.916	9.836	294.49	244.86	11088	11088	14.258	116.606	-1.439	0.951	5.983	0.942	54.7
1600S350-68 ¹	0.0713	50	1.745	5.94	61.641	7.705	5.944	2.490	1.195	57.446	5.180	155.10	134.83	2062	2062	2.957	127.370	-2.055	1.322	6.402	0.897	69.7
1600S350-68 ²	0.0713	50	1.745	5.94	61.641	7.705	5.944	2.490	1.195	57.446	5.180	155.10	134.83	2062	2062	2.957	127.370	-2.055	1.322	6.402	0.897	69.7
1600S350-97	0.1017	50	2.466	8.39	86.296	10.787	5.916	3.410	1.176	83.695	8.383	250.97	223.83	6043	6043	8.501	175.895	-2.022	1.304	6.362	0.899	69.1
1600S350-118	0.1242	50	2.990	10.17	103.924	12.990	5.895	4.039	1.162	102.539	11.306	338.49	296.35	11088	11088	15.376	209.692	-1.998	1.291	6.332	0.900	68.8
1600S350-118	0.1242	50	2.990	10.17	103.924	12.990	5.895	4.039	1.162	102.539	11.306	338.49	296.35	11088	11088	15.376	209.692	-1.998	1.291	6.332	0.900	68.8

¹ Web-height-to-thickness ratio exceeds 200. Web Stiffeners are required at all support points and concentric loads. Suitability of web holes must be evaluated independently.

² When web height-to-thickness ratio exceeds 260, or flange width-to-thickness ratio exceeds 60, effective properties are not calculated (limitations in AISI Section B4.1).

See Section Properties Table Notes on page 5.

Section Properties

(T) Track Section Properties

Member	Design Thickness (in)	F _y (ksi)	Gross Properties							Effective Properties				Torsional Properties					
			Area (in ²)	Weight (lb/ft)	I _x (in ⁴)	S _x (in ³)	R _x (in)	I _y (in ⁴)	R _y (in)	I _x (in ⁴)	S _x (in ³)	M _x (in-k)	V _{a3} (lb)	J x 1000 (in ⁴)	C _w (in ⁶)	X ₀ (in)	m (in)	R ₀ (in)	β
162T125-18	0.0188	33	0.078	0.26	0.042	0.048	0.733	0.013	0.411	0.030	0.025	0.50	302	0.0091	0.007	-0.876	0.503	1.215	0.479
162T125-27	0.0283	33	0.117	0.40	0.063	0.072	0.735	0.020	0.410	0.051	0.044	0.87	541	0.0312	0.010	-0.872	0.501	1.211	0.482
162T125-30	0.0312	33	0.129	0.44	0.070	0.079	0.735	0.022	0.409	0.057	0.050	1.00	597	0.0417	0.012	-0.870	0.500	1.210	0.483
162T125-33	0.0346	33	0.143	0.49	0.077	0.087	0.736	0.024	0.408	0.066	0.058	1.15	663	0.0569	0.013	-0.868	0.499	1.209	0.484
250T125-18	0.0188	33	0.094	0.32	0.104	0.079	1.052	0.015	0.400	0.078	0.044	0.88	245	0.0111	0.018	-0.767	0.460	1.362	0.682
250T125-27	0.0283	33	0.141	0.48	0.157	0.119	1.053	0.022	0.398	0.129	0.079	1.56	685	0.0378	0.027	-0.763	0.457	1.360	0.685
250T125-30	0.0312	33	0.156	0.53	0.173	0.131	1.053	0.025	0.397	0.145	0.090	1.77	832	0.0506	0.030	-0.762	0.456	1.359	0.686
250T125-33	0.0346	33	0.173	0.59	0.192	0.145	1.054	0.027	0.397	0.166	0.103	2.03	1024	0.0690	0.033	-0.760	0.456	1.358	0.687
250T125-43	0.0451	33	0.225	0.77	0.250	0.188	1.055	0.035	0.395	0.231	0.147	2.91	1356	0.1526	0.042	-0.755	0.453	1.356	0.690
250T125-54	0.0566	33	0.282	0.96	0.318	0.236	1.062	0.043	0.392	0.310	0.203	4.01	1692	0.3015	0.054	-0.749	0.449	1.357	0.696
250T125-54	0.0566	50	0.282	0.96	0.318	0.236	1.062	0.043	0.392	0.297	0.188	5.64	2563	0.3015	0.054	-0.749	0.449	1.357	0.696
250T125-68	0.0713	33	0.355	1.21	0.409	0.297	1.072	0.054	0.389	0.409	0.281	5.56	2112	0.6022	0.069	-0.740	0.444	1.360	0.704
250T125-68	0.0713	50	0.355	1.21	0.409	0.297	1.072	0.054	0.389	0.403	0.262	7.85	3199	0.6022	0.069	-0.740	0.444	1.360	0.704
250T150-27	0.0283	33	0.156	0.53	0.181	0.137	1.078	0.037	0.486	0.139	0.082	1.61	685	0.0415	0.044	-0.976	0.575	1.534	0.595
250T150-30	0.0312	33	0.172	0.58	0.200	0.151	1.078	0.040	0.486	0.157	0.093	1.83	832	0.0557	0.049	-0.975	0.574	1.533	0.595
250T150-33	0.0346	33	0.190	0.65	0.221	0.167	1.079	0.045	0.485	0.180	0.107	2.11	1024	0.0759	0.054	-0.973	0.573	1.532	0.596
250T150-43	0.0451	33	0.248	0.84	0.289	0.217	1.080	0.058	0.483	0.252	0.154	3.03	1356	0.1679	0.070	-0.968	0.570	1.529	0.599
250T150-54	0.0566	33	0.311	1.06	0.368	0.273	1.088	0.072	0.481	0.342	0.214	4.22	1692	0.3317	0.089	-0.961	0.566	1.530	0.605
250T150-54	0.0566	50	0.311	1.06	0.368	0.273	1.088	0.072	0.481	0.325	0.197	5.89	2563	0.3317	0.089	-0.961	0.566	1.530	0.605
250T150-68	0.0713	33	0.391	1.33	0.472	0.344	1.099	0.089	0.478	0.465	0.299	5.92	2112	0.6627	0.114	-0.953	0.561	1.531	0.613
250T150-68	0.0713	50	0.391	1.33	0.472	0.344	1.099	0.089	0.478	0.445	0.276	8.27	3199	0.6627	0.114	-0.953	0.561	1.531	0.613
250T200-33	0.0346	33	0.225	0.76	0.280	0.212	1.117	0.097	0.658	0.203	0.112	2.22	1024	0.0897	0.118	-1.418	0.813	1.922	0.455
250T200-43	0.0451	33	0.293	1.00	0.366	0.275	1.119	0.126	0.656	0.288	0.163	3.21	1356	0.1985	0.153	-1.413	0.810	1.918	0.457
250T200-54	0.0566	33	0.367	1.25	0.466	0.346	1.127	0.157	0.654	0.396	0.228	4.51	1692	0.3921	0.195	-1.405	0.806	1.917	0.462
250T200-54	0.0566	50	0.367	1.25	0.466	0.346	1.127	0.157	0.654	0.372	0.209	6.25	2563	0.3921	0.195	-1.405	0.806	1.917	0.462
250T200-68	0.0713	33	0.462	1.57	0.600	0.437	1.139	0.196	0.652	0.548	0.324	6.41	2112	0.7835	0.251	-1.396	0.800	1.916	0.469
250T200-68	0.0713	50	0.462	1.57	0.600	0.437	1.139	0.196	0.652	0.517	0.296	8.87	3199	0.7835	0.251	-1.396	0.800	1.916	0.469
350T125-18	0.0188	33	0.113	0.38	0.220	0.121	1.395	0.017	0.382	0.174	0.062	1.22	173	0.0133	0.038	-0.675	0.418	1.596	0.821
350T125-27	0.0283	33	0.170	0.58	0.331	0.182	1.396	0.025	0.381	0.277	0.128	2.53	590	0.0453	0.057	-0.670	0.416	1.595	0.823
350T125-30	0.0312	33	0.187	0.64	0.365	0.200	1.396	0.027	0.380	0.312	0.145	2.86	790	0.0607	0.063	-0.669	0.415	1.594	0.824
350T125-33	0.0346	33	0.207	0.71	0.405	0.222	1.397	0.030	0.379	0.355	0.165	3.27	1024	0.0828	0.070	-0.668	0.414	1.594	0.824
350T125-43	0.0451	33	0.270	0.92	0.528	0.288	1.398	0.038	0.377	0.490	0.233	4.61	1739	0.1832	0.090	-0.663	0.412	1.592	0.826
350T125-54	0.0566	33	0.339	1.15	0.668	0.361	1.404	0.048	0.375	0.651	0.317	6.26	2392	0.3619	0.114	-0.658	0.408	1.595	0.830
350T125-54	0.0566	50	0.339	1.15	0.668	0.361	1.404	0.048	0.375	0.626	0.297	8.90	3372	0.3619	0.114	-0.658	0.408	1.595	0.830
350T125-68	0.0713	33	0.427	1.45	0.851	0.454	1.412	0.059	0.372	0.851	0.433	8.55	2994	0.7231	0.144	-0.650	0.403	1.599	0.835
350T125-68	0.0713	50	0.427	1.45	0.851	0.454	1.412	0.059	0.372	0.839	0.407	12.19	4536	0.7231	0.144	-0.650	0.403	1.599	0.835
350T125-97	0.1017	33	0.608	2.07	1.243	0.645	1.430	0.081	0.366	1.243	0.645	14.57	4213	2.0960	0.209	-0.636	0.394	1.607	0.844
350T125-97	0.1017	50	0.608	2.07	1.243	0.645	1.430	0.081	0.366	1.243	0.645	21.69	6383	2.0960	0.209	-0.636	0.394	1.607	0.844
350T150-27	0.0283	33	0.184	0.63	0.377	0.207	1.432	0.041	0.470	0.298	0.132	2.62	590	0.0491	0.094	-0.869	0.529	1.739	0.751
350T150-30	0.0312	33	0.203	0.69	0.416	0.228	1.432	0.045	0.470	0.336	0.150	2.96	790	0.0658	0.103	-0.867	0.528	1.739	0.751
350T150-33	0.0346	33	0.225	0.76	0.461	0.253	1.432	0.049	0.469	0.382	0.171	3.39	1024	0.0897	0.114	-0.866	0.527	1.738	0.752
350T150-43	0.0451	33	0.293	1.00	0.601	0.329	1.433	0.064	0.467	0.531	0.243	4.80	1739	0.1985	0.148	-0.861	0.525	1.736	0.754
350T150-54	0.0566	33	0.367	1.25	0.762	0.412	1.440	0.079	0.465	0.712	0.332	6.57	2392	0.3921	0.187	-0.855	0.521	1.738	0.758
350T150-54	0.0566	50	0.367	1.25	0.762	0.412	1.440	0.079	0.465	0.679	0.310	9.28	3372	0.3921	0.187	-0.855	0.521	1.738	0.758
350T150-68	0.0713	33	0.462	1.57	0.972	0.518	1.450	0.099	0.462	0.957	0.459	9.07	2994	0.7835	0.238	-0.847	0.516	1.742	0.763
350T150-68	0.0713	50	0.462	1.57	0.972	0.518	1.450	0.099	0.462	0.919	0.428	12.81	4536	0.7835	0.238	-0.847	0.516	1.742	0.763
350T150-97	0.1017	33	0.659	2.24	1.423	0.738	1.469	0.137	0.456	1.422	0.738	16.33	4213	2.2713	0.346	-0.831	0.506	1.749	0.774
350T150-97	0.1017	50	0.659	2.24	1.423	0.738	1.469	0.137	0.456	1.422	0.701	20.98	6383	2.2713	0.346	-0.831	0.506	1.749	0.774
350T200-33	0.0346	33	0.259	0.88	0.574	0.315	1.488	0.108	0.646	0.428	0.181	3.57	1024	0.1035	0.249	-1.285	0.761	2.069	0.614
350T200-43	0.0451	33	0.338	1.15	0.749	0.409	1.489	0.140	0.645	0.601	0.257	5.09	1739	0.2291	0.323	-1.280	0.758	2.067	0.616
350T200-54	0.0566	33	0.424	1.44	0.949	0.513	1.497	0.175	0.642	0.814	0.355	7.01	2392	0.4526	0.409	-1.273	0.754	2.067	0.621
350T200-54	0.0566	50	0.424	1.44	0.949	0.513	1.497	0.175	0.642	0.770	0.329	9.85	3372	0.4526	0.409	-1.273	0.754	2.067	0.621
350T200-68	0.0713	33	0.534	1.82	1.213	0.647	1.508	0.218	0.639	1.112	0.496	9.80	2994	0.9043	0.522	-1.264	0.749	2.069	0.627
350T200-68	0.0713	50	0.534	1.82	1.213	0.647	1.508	0.218	0.639	1.054	0.458	13.72	4536	0.9043	0.522	-1.264	0.749	2.069	0.627
350T200-97	0.1017	33	0.761	2.59	1.781	0.924	1.530	0.305	0.633	1.779	0.831	16.42	4213	2.6219	0.765	-1.247	0.738	2.073	0.638
350T200-97	0.1017	50	0.761	2.59	1.781	0.924	1.530	0.305	0.633	1.708	0.769	23.02	6383	2.6219	0.765	-1.247	0.738	2.073	0.638
362T125-18	0.0188	33	0.115	0.39	0.238	0.127	1.437	0.017	0.380	0.189	0.064	1.26	167	0.0136	0.042	-0.665	0.413	1.628	0.833
362T125-27	0.0283	33	0.173	0.59	0.358	0.191	1.438	0.025											

Section Properties

(T) Track Section Properties

Member	Design Thickness (in)	Fy (ksi)	Gross Properties						Effective Properties				Torsional Properties						
			Area (in ²)	Weight (lb/ft)	I _x (in ⁴)	S _x (in ³)	R _x (in)	I _y (in ⁴)	R _y (in)	I _x (in ⁴)	S _x (in ³)	M _x (in-k)	V _a (lb)	J x 1000 (in ⁶)	C _w (in ⁴)	X ₀ (in)	m (in)	R _t (in)	β
362T150-27	0.0283	33	0.187	0.64	0.408	0.217	1.475	0.041	0.468	0.323	0.140	2.76	569	0.0500	0.102	-0.857	0.524	1.769	0.765
362T150-30	0.0312	33	0.207	0.70	0.450	0.239	1.475	0.045	0.467	0.364	0.158	3.12	762	0.0670	0.112	-0.856	0.523	1.768	0.766
362T150-33	0.0346	33	0.229	0.78	0.499	0.264	1.475	0.050	0.467	0.414	0.180	3.56	1024	0.0914	0.124	-0.854	0.522	1.768	0.766
362T150-43	0.0451	33	0.298	1.02	0.650	0.344	1.476	0.064	0.465	0.575	0.255	5.04	1739	0.2023	0.160	-0.850	0.519	1.766	0.768
362T150-54	0.0566	33	0.374	1.27	0.823	0.431	1.483	0.080	0.462	0.770	0.349	6.89	2480	0.3997	0.202	-0.844	0.516	1.768	0.772
362T150-54	0.0566	50	0.374	1.27	0.823	0.431	1.483	0.080	0.462	0.735	0.325	9.74	3372	0.3997	0.202	-0.844	0.516	1.768	0.772
362T150-68	0.0713	33	0.471	1.60	1.050	0.542	1.493	0.100	0.460	1.034	0.481	9.50	3104	0.7986	0.257	-0.836	0.511	1.771	0.777
362T150-68	0.0713	50	0.471	1.60	1.050	0.542	1.493	0.100	0.460	0.993	0.449	13.43	4703	0.7986	0.257	-0.836	0.511	1.771	0.777
362T150-97	0.1017	33	0.672	2.28	1.535	0.771	1.512	0.138	0.453	1.535	0.771	17.07	4339	2.3152	0.374	-0.820	0.501	1.779	0.787
362T150-97	0.1017	50	0.672	2.28	1.535	0.771	1.512	0.138	0.453	1.535	0.733	21.94	6574	2.3152	0.374	-0.820	0.501	1.779	0.787
362T200-33	0.0346	33	0.264	0.90	0.619	0.329	1.533	0.110	0.645	0.464	0.190	3.76	1024	0.1052	0.269	-1.270	0.754	2.092	0.631
362T200-43	0.0451	33	0.343	1.17	0.808	0.427	1.534	0.142	0.643	0.650	0.270	5.34	1739	0.2329	0.350	-1.265	0.752	2.090	0.633
362T200-54	0.0566	33	0.431	1.47	1.024	0.536	1.542	0.177	0.640	0.879	0.372	7.36	2480	0.4601	0.442	-1.259	0.748	2.091	0.638
362T200-54	0.0566	50	0.431	1.47	1.024	0.536	1.542	0.177	0.640	0.832	0.345	10.34	3372	0.4601	0.442	-1.259	0.748	2.091	0.638
362T200-68	0.0713	33	0.543	1.85	1.308	0.675	1.552	0.221	0.638	1.199	0.519	10.26	3104	0.9194	0.564	-1.250	0.743	2.093	0.643
362T200-68	0.0713	50	0.543	1.85	1.308	0.675	1.552	0.221	0.638	1.138	0.480	14.38	4703	0.9194	0.564	-1.250	0.743	2.093	0.643
362T200-97	0.1017	33	0.773	2.63	1.917	0.963	1.575	0.308	0.632	1.916	0.868	17.14	4339	2.6658	0.825	-1.232	0.732	2.097	0.655
362T200-97	0.1017	50	0.773	2.63	1.917	0.963	1.575	0.308	0.632	1.840	0.804	24.06	6574	2.6658	0.825	-1.232	0.732	2.097	0.655
400T125-18 ¹	0.0188	33	0.122	0.42	0.298	0.145	1.562	0.017	0.374	0.241	0.070	1.39	151	0.0144	0.052	-0.637	0.400	1.727	0.864
400T125-27	0.0283	33	0.184	0.63	0.449	0.217	1.562	0.025	0.372	0.380	0.156	3.08	515	0.0491	0.078	-0.633	0.398	1.726	0.866
400T125-30	0.0312	33	0.203	0.69	0.495	0.239	1.563	0.028	0.371	0.427	0.176	3.49	689	0.0658	0.085	-0.632	0.397	1.726	0.866
400T125-33	0.0346	33	0.225	0.76	0.549	0.265	1.563	0.031	0.371	0.484	0.201	3.97	940	0.0897	0.095	-0.630	0.396	1.725	0.867
400T125-43	0.0451	33	0.293	1.00	0.716	0.344	1.564	0.040	0.369	0.666	0.282	5.57	1739	0.1985	0.122	-0.626	0.394	1.724	0.868
400T125-54	0.0566	33	0.367	1.25	0.904	0.431	1.569	0.049	0.366	0.883	0.381	7.53	2739	0.3921	0.154	-0.621	0.390	1.727	0.871
400T125-54	0.0566	50	0.367	1.25	0.904	0.431	1.569	0.049	0.366	0.850	0.359	10.74	3372	0.3921	0.154	-0.621	0.390	1.727	0.871
400T125-68	0.0713	33	0.462	1.57	1.151	0.541	1.577	0.061	0.364	1.150	0.517	10.22	3435	0.7835	0.194	-0.614	0.386	1.731	0.874
400T125-68	0.0713	50	0.462	1.57	1.151	0.541	1.577	0.061	0.364	1.134	0.488	14.62	5205	0.7835	0.194	-0.614	0.386	1.731	0.874
400T125-97	0.1017	33	0.659	2.24	1.674	0.768	1.594	0.084	0.358	1.673	0.768	17.36	4842	2.2713	0.280	-0.600	0.377	1.740	0.881
400T125-97	0.1017	50	0.659	2.24	1.674	0.768	1.594	0.084	0.358	1.673	0.768	25.84	7337	2.2713	0.280	-0.600	0.377	1.740	0.881
400T150-27	0.0283	33	0.198	0.67	0.509	0.246	1.602	0.042	0.461	0.409	0.154	3.04	515	0.0529	0.127	-0.824	0.509	1.860	0.804
400T150-30	0.0312	33	0.218	0.74	0.561	0.271	1.603	0.046	0.461	0.458	0.183	3.61	689	0.0708	0.140	-0.823	0.508	1.860	0.804
400T150-33	0.0346	33	0.242	0.82	0.622	0.300	1.603	0.051	0.460	0.519	0.208	4.12	940	0.0966	0.155	-0.821	0.507	1.859	0.805
400T150-43	0.0451	33	0.315	1.07	0.811	0.390	1.604	0.066	0.458	0.719	0.293	5.80	1739	0.2138	0.200	-0.817	0.504	1.857	0.807
400T150-54	0.0566	33	0.396	1.35	1.026	0.489	1.610	0.082	0.456	0.960	0.399	7.89	2739	0.4223	0.252	-0.811	0.501	1.860	0.810
400T150-54	0.0566	50	0.396	1.35	1.026	0.489	1.610	0.082	0.456	0.918	0.374	11.19	3372	0.4223	0.252	-0.811	0.501	1.860	0.810
400T150-68	0.0713	33	0.498	1.69	1.306	0.615	1.619	0.102	0.453	1.286	0.548	10.82	3435	0.8439	0.320	-0.804	0.496	1.864	0.814
400T150-68	0.0713	50	0.498	1.69	1.306	0.615	1.619	0.102	0.453	1.237	0.513	15.36	5205	0.8439	0.320	-0.804	0.496	1.864	0.814
400T150-97	0.1017	33	0.710	2.41	1.904	0.874	1.638	0.142	0.447	1.904	0.874	19.35	4842	2.4466	0.463	-0.788	0.487	1.872	0.823
400T150-97	0.1017	50	0.710	2.41	1.904	0.874	1.638	0.142	0.447	1.904	0.832	24.92	7337	2.4466	0.463	-0.788	0.487	1.872	0.823
400T200-33	0.0346	33	0.277	0.94	0.768	0.371	1.666	0.113	0.639	0.581	0.220	4.34	940	0.1104	0.336	-1.229	0.737	2.167	0.678
400T200-43	0.0451	33	0.360	1.23	1.002	0.482	1.668	0.146	0.637	0.811	0.311	6.14	1739	0.2443	0.436	-1.224	0.734	2.164	0.680
400T200-54	0.0566	33	0.452	1.54	1.268	0.604	1.675	0.182	0.635	1.093	0.426	8.42	2739	0.4828	0.551	-1.217	0.730	2.166	0.684
400T200-54	0.0566	50	0.452	1.54	1.268	0.604	1.675	0.182	0.635	1.037	0.397	11.88	3372	0.4828	0.551	-1.217	0.730	2.166	0.684
400T200-68	0.0713	33	0.569	1.94	1.617	0.761	1.685	0.227	0.632	1.486	0.591	11.68	3435	0.9647	0.702	-1.209	0.725	2.168	0.689
400T200-68	0.0713	50	0.569	1.94	1.617	0.761	1.685	0.227	0.632	1.412	0.549	16.43	5205	0.9647	0.702	-1.209	0.725	2.168	0.689
400T200-97	0.1017	33	0.811	2.76	2.364	1.085	1.707	0.318	0.626	2.361	0.981	19.38	4842	2.7973	1.022	-1.192	0.715	2.174	0.699
400T200-97	0.1017	50	0.811	2.76	2.364	1.085	1.707	0.318	0.626	2.269	0.911	27.29	7337	2.7973	1.022	-1.192	0.715	2.174	0.699
550T125-27	0.0283	33	0.226	0.77	0.948	0.336	2.046	0.027	0.348	0.786	0.192	3.79	372	0.0604	0.160	-0.543	0.352	2.146	0.936
550T125-30	0.0312	33	0.250	0.85	1.045	0.371	2.047	0.030	0.347	0.897	0.226	4.47	499	0.0810	0.176	-0.542	0.351	2.145	0.936
550T125-33	0.0346	33	0.277	0.94	1.159	0.411	2.047	0.033	0.346	1.029	0.270	5.33	680	0.1104	0.195	-0.541	0.350	2.145	0.936
550T125-43	0.0451	33	0.360	1.23	1.510	0.534	2.047	0.043	0.344	1.428	0.417	8.23	1504	0.2443	0.252	-0.537	0.348	2.144	0.937
550T125-54	0.0566	33	0.452	1.54	1.904	0.668	2.052	0.053	0.342	1.862	0.597	11.80	2739	0.4828	0.315	-0.532	0.345	2.147	0.939
550T125-54	0.0566	50	0.452	1.54	1.904	0.668	2.052	0.053	0.342	1.811	0.535	16.01	2980	0.4828	0.315	-0.532	0.345	2.147	0.939
550T125-68	0.0713	33	0.569	1.94	2.413	0.839	2.059	0.066	0.340	2.412	0.807	15.95	4347	0.9647	0.397	-0.526	0.341	2.152	0.940
550T125-68	0.0713	50	0.569	1.94	2.413	0.839	2.059	0.066	0.340	2.380	0.769	23.02	5350	0.9647	0.397	-0.526	0.341	2.152	0.940
550T125-97	0.1017	33	0.811	2.76	3.484	1.190	2.072	0.090	0.334	3.484	1.190	26.87	6730	2.7973	0.564	-0.514	0.333	2.161	0.943
550T125-97	0.1017	50	0.811	2.76	3.484	1.190	2.072	0.090	0.334	3.484	1.190	40.01	10197	2.7973	0.564	-0.514	0.333	2.161	0.943
550T150-27	0.0283	33	0.241	0.82	1.059	0.376													

Section Properties

(T) Track Section Properties

Member	Design Thickness (in)	Fy (ksi)	Gross Properties					Effective Properties				Torsional Properties							
			Area (in ²)	Weight (lb/ft)	I _x (in ⁴)	S _x (in ³)	R _x (in)	I _y (in ⁴)	R _y (in)	I _x (in ⁴)	S _x (in ³)	M _x (in-k)	V _a (lb)	J x 1000 (in ⁴)	C _w (in ⁶)	X ₀ (in)	m (in)	R ₀ (in)	β
550T200-33	0.0346	33	0.329	1.12	1.567	0.555	2.184	0.123	0.613	1.246	0.307	6.06	680	0.1311	0.694	-1.088	0.674	2.516	0.813
550T200-43	0.0451	33	0.428	1.46	2.044	0.722	2.185	0.160	0.611	1.690	0.495	9.79	1504	0.2902	0.900	-1.083	0.671	2.514	0.814
550T200-54	0.0566	33	0.537	1.83	2.579	0.905	2.191	0.199	0.609	2.254	0.669	13.21	2739	0.5734	1.133	-1.077	0.668	2.517	0.817
550T200-68	0.0713	33	0.676	2.30	3.275	1.139	2.201	0.248	0.606	3.027	0.914	18.06	4347	1.1459	1.434	-1.070	0.663	2.521	0.820
550T200-68	0.0713	50	0.676	2.30	3.275	1.139	2.201	0.248	0.606	2.895	0.857	25.67	5350	1.1459	1.434	-1.070	0.663	2.521	0.820
550T200-97	0.1017	33	0.964	3.28	4.747	1.621	2.219	0.347	0.600	4.736	1.483	29.30	6730	3.3232	2.067	-1.055	0.653	2.529	0.826
550T200-97	0.1017	50	0.964	3.28	4.747	1.621	2.219	0.347	0.600	4.567	1.391	41.64	10197	3.3232	2.067	-1.055	0.653	2.529	0.826
600T125-27 ¹	0.0283	33	0.241	0.82	1.169	0.381	2.204	0.028	0.340	0.958	0.211	4.16	341	0.0642	0.196	-0.519	0.339	2.290	0.949
600T125-30	0.0312	33	0.265	0.90	1.288	0.420	2.204	0.031	0.340	1.095	0.249	4.92	456	0.0860	0.215	-0.518	0.338	2.290	0.949
600T125-33	0.0346	33	0.294	1.00	1.429	0.465	2.205	0.034	0.339	1.258	0.297	5.87	622	0.1173	0.238	-0.516	0.337	2.289	0.949
600T125-43	0.0451	33	0.383	1.30	1.862	0.604	2.205	0.044	0.337	1.768	0.461	9.11	1377	0.2596	0.307	-0.513	0.335	2.289	0.950
600T125-54	0.0566	33	0.480	1.63	2.345	0.757	2.209	0.054	0.335	2.299	0.666	13.15	2728	0.5130	0.384	-0.508	0.332	2.292	0.951
600T125-54	0.0566	50	0.480	1.63	2.345	0.757	2.209	0.054	0.335	2.241	0.592	17.74	2728	0.5130	0.384	-0.508	0.332	2.292	0.951
600T125-68	0.0713	33	0.605	2.06	2.970	0.951	2.216	0.067	0.332	2.969	0.916	18.09	4347	1.0251	0.483	-0.503	0.329	2.296	0.952
600T125-68	0.0713	50	0.605	2.06	2.970	0.951	2.216	0.067	0.332	2.934	0.858	25.69	5350	1.0251	0.483	-0.503	0.329	2.296	0.952
600T125-97	0.1017	33	0.862	2.93	4.282	1.348	2.229	0.092	0.327	4.281	1.347	30.43	7359	2.9726	0.685	-0.491	0.321	2.305	0.955
600T125-97	0.1017	50	0.862	2.93	4.282	1.348	2.229	0.092	0.327	4.281	1.347	40.33	10885	2.9726	0.685	-0.491	0.321	2.305	0.955
600T150-27 ¹	0.0283	33	0.255	0.87	1.301	0.424	2.260	0.047	0.427	1.012	0.214	4.23	341	0.0680	0.320	-0.686	0.441	2.400	0.918
600T150-30	0.0312	33	0.281	0.96	1.434	0.467	2.260	0.051	0.427	1.159	0.253	5.01	456	0.0911	0.352	-0.685	0.440	2.400	0.918
600T150-33	0.0346	33	0.311	1.06	1.590	0.517	2.260	0.057	0.426	1.335	0.303	5.99	622	0.1242	0.390	-0.684	0.439	2.400	0.919
600T150-43	0.0451	33	0.405	1.38	2.073	0.673	2.261	0.073	0.424	1.890	0.474	9.36	1377	0.2749	0.504	-0.680	0.437	2.399	0.920
600T150-54	0.0566	33	0.509	1.73	2.612	0.843	2.266	0.091	0.422	2.473	0.689	13.62	2728	0.5432	0.632	-0.675	0.434	2.402	0.921
600T150-54	0.0566	50	0.509	1.73	2.612	0.843	2.266	0.091	0.422	2.400	0.609	18.24	2728	0.5432	0.632	-0.675	0.434	2.402	0.921
600T150-68	0.0713	33	0.641	2.18	3.310	1.059	2.273	0.113	0.419	3.262	0.963	19.03	4347	1.0855	0.797	-0.669	0.430	2.406	0.923
600T150-68	0.0713	50	0.641	2.18	3.310	1.059	2.273	0.113	0.419	3.162	0.891	26.68	5350	1.0855	0.797	-0.669	0.430	2.406	0.923
600T150-97	0.1017	33	0.913	3.11	4.780	1.504	2.288	0.156	0.414	4.779	1.504	29.71	7359	3.1479	1.138	-0.656	0.421	2.416	0.926
600T150-97	0.1017	50	0.913	3.11	4.780	1.504	2.288	0.156	0.414	4.779	1.444	43.24	10885	3.1479	1.138	-0.656	0.421	2.416	0.926
600T200-33	0.0346	33	0.346	1.18	1.913	0.623	2.352	0.126	0.604	1.542	0.333	6.59	622	0.1380	0.847	-1.048	0.655	2.645	0.843
600T200-43	0.0451	33	0.451	1.53	2.494	0.810	2.353	0.163	0.602	2.076	0.565	11.16	1377	0.3055	1.098	-1.044	0.652	2.644	0.844
600T200-54	0.0566	33	0.565	1.92	3.146	1.015	2.359	0.203	0.600	2.760	0.759	15.00	2728	0.6037	1.381	-1.038	0.649	2.646	0.846
600T200-54	0.0566	50	0.565	1.92	3.146	1.015	2.359	0.203	0.600	2.641	0.717	21.48	2728	0.6037	1.381	-1.038	0.649	2.646	0.846
600T200-68	0.0713	33	0.712	2.42	3.991	1.277	2.368	0.254	0.597	3.696	1.034	20.42	4347	1.2064	1.746	-1.031	0.644	2.651	0.849
600T200-68	0.0713	50	0.712	2.42	3.991	1.277	2.368	0.254	0.597	3.540	0.973	29.12	5350	1.2064	1.746	-1.031	0.644	2.651	0.849
600T200-97	0.1017	33	1.015	3.45	5.774	1.817	2.385	0.355	0.591	5.759	1.667	32.95	7359	3.4985	2.510	-1.016	0.635	2.659	0.854
600T200-97	0.1017	50	1.015	3.45	5.774	1.817	2.385	0.355	0.591	5.559	1.568	46.95	10885	3.4985	2.510	-1.016	0.635	2.659	0.854
800T125-33 ¹	0.0346	33	0.363	1.24	2.897	0.711	2.824	0.036	0.313	2.442	0.407	8.03	465	0.1449	0.456	-0.439	0.294	2.875	0.977
800T125-43	0.0451	33	0.473	1.61	3.774	0.925	2.824	0.046	0.311	3.484	0.640	12.65	1030	0.3208	0.589	-0.436	0.292	2.875	0.977
800T125-54	0.0566	33	0.594	2.02	4.747	1.158	2.828	0.057	0.309	4.668	0.940	18.58	2039	0.6339	0.735	-0.432	0.289	2.877	0.977
800T125-54	0.0566	50	0.594	2.02	4.747	1.158	2.828	0.057	0.309	4.427	0.824	24.66	2039	0.6339	0.735	-0.432	0.289	2.877	0.977
800T125-68	0.0713	33	0.748	2.54	6.000	1.455	2.833	0.070	0.307	5.998	1.357	26.81	4087	1.2668	0.920	-0.427	0.286	2.881	0.978
800T125-68	0.0713	50	0.748	2.54	6.000	1.455	2.833	0.070	0.307	5.956	1.216	36.40	4087	1.2668	0.920	-0.427	0.286	2.881	0.978
800T125-97	0.1017	33	1.066	3.63	8.617	2.062	2.844	0.097	0.301	8.614	2.062	40.74	8843	3.6738	1.296	-0.417	0.279	2.890	0.979
800T125-97	0.1017	50	1.066	3.63	8.617	2.062	2.844	0.097	0.301	8.614	2.062	61.72	10885	3.6738	1.296	-0.417	0.279	2.890	0.979
800T150-33 ¹	0.0346	33	0.380	1.29	3.181	0.781	2.892	0.060	0.397	2.570	0.414	8.18	465	0.1518	0.751	-0.588	0.388	2.977	0.961
800T150-43	0.0451	33	0.496	1.69	4.145	1.016	2.892	0.077	0.395	3.690	0.655	12.95	1030	0.3361	0.972	-0.584	0.386	2.977	0.961
800T150-54	0.0566	33	0.622	2.12	5.216	1.272	2.896	0.096	0.393	4.977	0.969	19.15	2039	0.6641	1.215	-0.580	0.383	2.980	0.962
800T150-54	0.0566	50	0.622	2.12	5.216	1.272	2.896	0.096	0.393	4.693	0.844	25.27	2039	0.6641	1.215	-0.580	0.383	2.980	0.962
800T150-68	0.0713	33	0.783	2.66	6.596	1.599	2.902	0.119	0.390	6.527	1.412	27.91	4087	1.3272	1.526	-0.575	0.379	2.984	0.963
800T150-68	0.0713	50	0.783	2.66	6.596	1.599	2.902	0.119	0.390	6.361	1.255	37.58	4087	1.3272	1.526	-0.575	0.379	2.984	0.963
800T150-97	0.1017	33	1.116	3.80	9.483	2.270	2.914	0.165	0.385	9.480	2.269	44.83	8843	3.8491	2.162	-0.564	0.372	2.993	0.965
800T150-97	0.1017	50	1.116	3.80	9.483	2.270	2.914	0.165	0.385	9.480	2.192	65.62	10885	3.8491	2.162	-0.564	0.372	2.993	0.965
800T200-33 ¹	0.0346	33	0.415	1.41	3.750	0.921	3.006	0.135	0.571	2.789	0.424	8.37	465	0.1656	1.638	-0.917	0.589	3.194	0.918
800T200-43	0.0451	33	0.541	1.84	4.888	1.198	3.006	0.175	0.569	4.044	0.676	13.35	1030	0.3667	2.124	-0.913	0.587	3.193	0.918
800T200-54	0.0566	33	0.679	2.31	6.154	1.501	3.012	0.218	0.567	5.506	1.009	19.93	2039	0.7245	2.664	-0.908	0.584	3.196	0.919
800T200-54	0.0566	50	0.679	2.31	6.154	1.501	3.012	0.218	0.567	5.151	0.872	26.09	2039	0.7245	2.664	-0.908	0.584	3.196	0.919
800T200-68	0.0713	33	0.854	2.91	7.789	1.888	3.019	0.272	0.564	7.306	1.490	29.45	4087	1.4480	3.357	-0.902	0.580	3.201	0.921
800T200-68	0.0713	50	0.854	2.91	7.789	1.888	3.019	0.272	0.564	7.053	1.310	39.22	4087	1.4480	3.357	-0.902	0.580	3.201	

Section Properties

(T) Track Section Properties

Member	Design Thickness (in)	Fy (ksi)	Gross Properties						Effective Properties				Torsional Properties						
			Area (in ²)	Weight (lb/ft)	I _x (in ⁴)	S _x (in ³)	R _x (in)	I _y (in ⁴)	R _y (in)	I _x (in ⁴)	S _x (in ³)	M _x (in-k)	V _a (lb)	J x 1000 (in ⁴)	C _w (in ⁶)	X _c (in)	m (in)	R _s (in)	β
1000T150-43 ¹	0.0451	33	0.586	1.99	7.210	1.419	3.508	0.080	0.370	6.197	0.837	16.54	822	0.3972	1.612	-0.513	0.345	3.565	0.979
1000T150-54	0.0566	33	0.735	2.50	9.065	1.778	3.512	0.100	0.368	8.433	1.249	24.69	1628	0.7850	2.013	-0.509	0.342	3.567	0.980
1000T150-54	0.0566	50	0.735	2.50	9.065	1.778	3.512	0.100	0.368	7.881	1.079	32.30	1628	0.7850	2.013	-0.509	0.342	3.567	0.980
1000T150-68	0.0713	33	0.926	3.15	11.450	2.234	3.517	0.124	0.366	11.343	1.846	36.48	3261	1.5688	2.522	-0.505	0.339	3.572	0.980
1000T150-68	0.0713	50	0.926	3.15	11.450	2.234	3.517	0.124	0.366	10.776	1.621	48.53	3261	1.5688	2.522	-0.505	0.339	3.572	0.980
1000T150-97	0.1017	33	1.320	4.49	16.420	3.171	3.527	0.172	0.361	16.414	3.165	62.54	8843	4.5504	3.557	-0.495	0.332	3.580	0.981
1000T150-97	0.1017	50	1.320	4.49	16.420	3.171	3.527	0.172	0.361	16.414	2.903	86.90	9507	4.5504	3.557	-0.495	0.332	3.580	0.981
1000T200-43 ¹	0.0451	33	0.631	2.15	8.364	1.646	3.641	0.183	0.539	6.724	0.861	17.01	822	0.4278	3.540	-0.813	0.534	3.769	0.953
1000T200-54	0.0566	33	0.792	2.69	10.520	2.063	3.645	0.228	0.537	9.232	1.195	25.60	1628	0.8454	4.434	-0.809	0.531	3.772	0.954
1000T200-54	0.0566	50	0.792	2.69	10.520	2.063	3.645	0.228	0.537	8.563	1.111	33.26	1628	0.8454	4.434	-0.809	0.531	3.772	0.954
1000T200-68	0.0713	33	0.997	3.39	13.296	2.595	3.652	0.284	0.534	12.553	1.936	38.26	3261	1.6896	5.576	-0.803	0.527	3.777	0.955
1000T200-68	0.0713	50	0.997	3.39	13.296	2.595	3.652	0.284	0.534	11.821	1.684	50.42	3261	1.6896	5.576	-0.803	0.527	3.777	0.955
1000T200-97	0.1017	33	1.422	4.84	19.093	3.687	3.665	0.397	0.528	19.032	3.427	67.72	8843	4.9010	7.924	-0.791	0.519	3.786	0.956
1000T200-97	0.1017	50	1.422	4.84	19.093	3.687	3.665	0.397	0.528	18.584	3.081	92.26	9507	4.9010	7.924	-0.791	0.519	3.786	0.956
1200T125-54 ¹	0.0566	33	0.820	2.79	13.341	2.187	4.034	0.060	0.271	12.297	1.492	29.47	1354	0.8756	1.820	-0.333	0.230	4.056	0.993
1200T125-54 ¹	0.0566	50	0.820	2.79	13.341	2.187	4.034	0.060	0.271	11.463	1.286	38.51	1354	0.8756	1.820	-0.333	0.230	4.056	0.993
1200T125-68	0.0713	33	1.033	3.51	16.834	2.749	4.037	0.074	0.268	16.247	2.206	43.60	2713	1.7501	2.270	-0.329	0.227	4.060	0.993
1200T125-68	0.0713	50	1.033	3.51	16.834	2.749	4.037	0.074	0.268	15.689	1.934	57.90	2713	1.7501	2.270	-0.329	0.227	4.060	0.993
1200T125-97	0.1017	33	1.472	5.01	24.090	3.899	4.045	0.102	0.264	24.078	3.690	72.92	7902	5.0763	3.171	-0.322	0.222	4.066	0.994
1200T125-97	0.1017	50	1.472	5.01	24.090	3.899	4.045	0.102	0.264	23.752	3.443	103.07	7902	5.0763	3.171	-0.322	0.222	4.066	0.994
1200T150-54 ¹	0.0566	33	0.848	2.89	14.384	2.358	4.118	0.103	0.348	12.964	1.530	30.23	1354	0.9059	3.033	-0.454	0.310	4.157	0.988
1200T150-54 ¹	0.0566	50	0.848	2.89	14.384	2.358	4.118	0.103	0.348	12.023	1.313	39.32	1354	0.9059	3.033	-0.454	0.310	4.157	0.988
1200T150-68	0.0713	33	1.068	3.63	18.156	2.964	4.122	0.127	0.345	17.570	2.281	45.08	2713	1.8105	3.795	-0.450	0.307	4.161	0.988
1200T150-68	0.0713	50	1.068	3.63	18.156	2.964	4.122	0.127	0.345	16.568	1.987	59.48	2713	1.8105	3.795	-0.450	0.307	4.161	0.988
1200T150-97	0.1017	33	1.523	5.18	25.999	4.208	4.131	0.176	0.340	25.987	3.996	78.97	7902	5.2516	5.335	-0.441	0.301	4.169	0.989
1200T150-97	0.1017	50	1.523	5.18	25.999	4.208	4.131	0.176	0.340	25.720	3.616	108.27	7902	5.2516	5.335	-0.441	0.301	4.169	0.989
1200T200-54 ¹	0.0566	33	0.905	3.08	16.470	2.700	4.266	0.236	0.510	14.081	1.582	31.26	1354	0.9663	6.714	-0.730	0.487	4.358	0.972
1200T200-54 ¹	0.0566	50	0.905	3.08	16.470	2.700	4.266	0.236	0.510	12.965	1.350	40.42	1354	0.9663	6.714	-0.730	0.487	4.358	0.972
1200T200-68	0.0713	33	1.140	3.88	20.799	3.396	4.272	0.294	0.508	19.282	2.383	47.10	2713	1.9313	8.431	-0.725	0.483	4.363	0.972
1200T200-68	0.0713	50	1.140	3.88	20.799	3.396	4.272	0.294	0.508	18.029	2.058	61.63	2713	1.9313	8.431	-0.725	0.483	4.363	0.972
1200T200-97	0.1017	33	1.625	5.53	29.816	4.826	4.284	0.410	0.502	29.806	4.298	84.93	7902	5.6022	11.945	-0.714	0.476	4.372	0.973
1200T200-97	0.1017	50	1.625	5.53	29.816	4.826	4.284	0.410	0.502	28.962	3.819	114.35	7902	5.6022	11.945	-0.714	0.476	4.372	0.973
1200T200-118	0.1242	33	1.984	6.75	36.544	5.878	4.292	0.492	0.498	36.531	5.795	114.50	13189	10.2007	14.513	-0.706	0.471	4.378	0.974
1200T200-118	0.1242	50	1.984	6.75	36.544	5.878	4.292	0.492	0.498	36.531	5.278	158.03	14434	10.2007	14.513	-0.706	0.471	4.378	0.974
1400T125-54	0.0566	33	0.933	3.17	19.987	2.815	4.628	0.061	0.256	17.728	1.767	34.92	1160	0.9965	2.559	-0.299	0.209	4.645	0.996
1400T125-54	0.0566	50	0.933	3.17	19.987	2.815	4.628	0.061	0.256	16.412	1.517	45.42	1160	0.9965	2.559	-0.299	0.209	4.645	0.996
1400T125-68	0.0713	33	1.175	4.00	25.208	3.538	4.631	0.076	0.254	23.556	2.632	52.02	2322	1.9917	3.189	-0.296	0.206	4.648	0.996
1400T125-68	0.0713	50	1.175	4.00	25.208	3.538	4.631	0.076	0.254	22.623	2.293	68.65	2322	1.9917	3.189	-0.296	0.206	4.648	0.996
1400T125-97	0.1017	33	1.676	5.70	36.043	5.021	4.638	0.104	0.249	35.776	4.480	88.53	6761	5.7776	4.444	-0.289	0.201	4.653	0.996
1400T125-97	0.1017	50	1.676	5.70	36.043	5.021	4.638	0.104	0.249	34.591	4.134	123.77	6761	5.7776	4.444	-0.289	0.201	4.653	0.996
1400T125-118	0.1242	33	2.046	6.96	44.090	6.109	4.642	0.124	0.246	44.068	5.854	115.67	12344	10.5201	5.334	-0.284	0.197	4.657	0.996
1400T125-118	0.1242	50	2.046	6.96	44.090	6.109	4.642	0.124	0.246	43.754	5.454	163.28	12344	10.5201	5.334	-0.284	0.197	4.657	0.996
1400T150-54	0.0566	33	0.962	3.27	21.402	3.015	4.718	0.105	0.330	18.625	1.810	35.76	1160	1.0267	4.280	-0.410	0.283	4.747	0.993
1400T150-54	0.0566	50	0.962	3.27	21.402	3.015	4.718	0.105	0.330	17.156	1.547	46.33	1160	1.0267	4.280	-0.410	0.283	4.747	0.993
1400T150-68	0.0713	33	1.211	4.12	27.000	3.790	4.722	0.130	0.328	25.415	2.717	53.69	2322	2.0521	5.349	-0.407	0.280	4.751	0.993
1400T150-68	0.0713	50	1.211	4.12	27.000	3.790	4.722	0.130	0.328	23.807	2.352	70.42	2322	2.0521	5.349	-0.407	0.280	4.751	0.993
1400T150-97	0.1017	33	1.727	5.87	38.626	5.381	4.730	0.180	0.323	38.342	4.834	95.52	6761	5.9529	7.503	-0.399	0.275	4.757	0.993
1400T150-97	0.1017	50	1.727	5.87	38.626	5.381	4.730	0.180	0.323	37.288	4.332	129.70	6761	5.9529	7.503	-0.399	0.275	4.757	0.993
1400T150-118	0.1242	33	2.108	7.17	47.269	6.549	4.735	0.215	0.319	47.248	6.291	124.31	12344	10.8394	9.048	-0.393	0.270	4.762	0.993
1400T150-118	0.1242	50	2.108	7.17	47.269	6.549	4.735	0.215	0.319	46.913	5.887	176.25	12344	10.8394	9.048	-0.393	0.270	4.762	0.993
1400T200-54	0.0566	33	1.018	3.46	24.232	3.413	4.879	0.242	0.487	20.105	1.868	36.92	1160	1.0872	9.520	-0.665	0.449	4.948	0.982
1400T200-54	0.0566	50	1.018	3.46	24.232	3.413	4.879	0.242	0.487	18.392	1.589	47.57	1160	1.0872	9.520	-0.665	0.449	4.948	0.982
1400T200-68	0.0713	33	1.282	4.36	30.583	4.293	4.884	0.301	0.485	27.710	2.831	55.93	2322	2.1729	11.942	-0.661	0.446	4.952	0.982
1400T200-68	0.0713	50	1.282	4.36	30.583	4.293	4.884	0.301	0.485	25.745	2.432	72.82	2322	2.1729	11.942	-0.661	0.446	4.952	0.982
1400T200-97	0.1017	33	1.828	6.22	43.791	6.101	4.894	0.420	0.479	43.681	5.174	102.25	6761	6.3035	16.883	-0.651	0.439	4.960	0.983
1400T200-97	0.1017	50	1.828	6.22	43.791	6.101	4.894	0.420	0.479	41.756	4.559	136.49	6761	6.3035	16.883	-0.651	0.439	4.960	0.983
1400T20																			

Section Properties

(T) Track Section Properties

Member	Design Thickness (in)	Fy (ksi)	Gross Properties						Effective Properties				Torsional Properties						
			Area (in ²)	Weight (lb/ft)	I _x (in ⁴)	S _x (in ³)	R _x (in)	I _y (in ⁴)	R _y (in)	I _x (in ⁴)	S _x (in ³)	M _a (in-k)	V _a (lb)	J x 1000 (in ⁴)	C _w (in ⁶)	X _o (in)	m (in)	R _o (in)	β
1600T150-54	0.0566	33	1.075	3.66	30.343	3.747	5.314	0.106	0.314	25.453	2.090	41.29	1014	1.1476	5.757	-0.374	0.260	5.336	0.995
1600T150-54	0.0566	50	1.075	3.66	30.343	3.747	5.314	0.106	0.314	23.309	1.782	53.34	1014	1.1476	5.757	-0.374	0.260	5.336	0.995
1600T150-68	0.0713	33	1.354	4.60	38.268	4.710	5.317	0.132	0.312	34.949	3.152	62.28	2030	2.2938	7.188	-0.371	0.258	5.339	0.995
1600T150-68	0.0713	50	1.354	4.60	38.268	4.710	5.317	0.132	0.312	32.544	2.717	81.35	2030	2.2938	7.188	-0.371	0.258	5.339	0.995
1600T150-97	0.1017	33	1.930	6.57	54.708	6.690	5.324	0.183	0.308	53.176	5.674	112.13	5908	6.6541	10.066	-0.363	0.253	5.345	0.995
1600T150-97	0.1017	50	1.930	6.57	54.708	6.690	5.324	0.183	0.308	51.389	5.047	151.12	5908	6.6541	10.066	-0.363	0.253	5.345	0.995
1600T150-118	0.1242	33	2.356	8.02	66.919	8.144	5.329	0.218	0.304	66.886	7.460	147.42	10783	12.1166	12.124	-0.358	0.249	5.350	0.996
1600T150-118	0.1242	50	2.356	8.02	66.919	8.144	5.329	0.218	0.304	65.028	6.911	206.93	10783	12.1166	12.124	-0.358	0.249	5.350	0.996
1600T200-54	0.0566	33	1.131	3.85	34.030	4.202	5.485	0.246	0.467	27.343	2.154	42.57	1014	1.2081	12.864	-0.612	0.417	5.538	0.988
1600T200-54	0.0566	50	1.131	3.85	34.030	4.202	5.485	0.246	0.467	24.873	1.827	54.71	1014	1.2081	12.864	-0.612	0.417	5.538	0.988
1600T200-68	0.0713	33	1.425	4.85	42.933	5.284	5.489	0.307	0.464	37.912	3.277	64.76	2030	2.4146	16.123	-0.607	0.414	5.542	0.988
1600T200-68	0.0713	50	1.425	4.85	42.933	5.284	5.489	0.307	0.464	35.022	2.806	84.00	2030	2.4146	16.123	-0.607	0.414	5.542	0.988
1600T200-97	0.1017	33	2.032	6.91	61.425	7.511	5.498	0.428	0.459	60.203	6.053	119.61	5908	7.0047	22.755	-0.598	0.408	5.550	0.988
1600T200-97	0.1017	50	2.032	6.91	61.425	7.511	5.498	0.428	0.459	57.306	5.298	158.64	5908	7.0047	22.755	-0.598	0.408	5.550	0.988
1600T200-118	0.1242	33	2.481	8.44	75.179	9.149	5.505	0.515	0.455	75.147	8.332	164.64	10783	12.7552	27.568	-0.592	0.403	5.556	0.989
1600T200-118	0.1242	50	2.481	8.44	75.179	9.149	5.505	0.515	0.455	73.619	7.433	222.55	10783	12.7552	27.568	-0.592	0.403	5.556	0.989

¹ Web-height to thickness ratio exceeds 200. Web stiffeners are required at all support points and concentrated loads.

See Section Properties Table Notes on page 5.

Section Properties

Web Depth-to-Thickness Ratios for Stud and Joist Members ^{2, 3}

Style	Web Depth (in)	18Mil 0.0188	27Mil 0.0283	30Mil 0.0312	33Mil 0.0346	43Mil 0.0451	54Mil 0.0566	68Mil 0.0713	97Mil 0.1017	118Mil 0.1242
162S	1.625	75	50	45	41	31	24	18	11	8
250S	2.500	122	81	73	66	50	39	30	20	15
350S	3.500	175	116	105	95	72	57	44	29	23
362S	3.625	182	120	109	98	75	59	46	31	24
400S	4.000	202 ¹	134	121	109	84	66	51	34	27
550S	5.500	-	187	169	153	117	92	72	49	39
600S	6.000	-	204 ¹	185	167	128	101	79	54	43
800S	8.000	-	-	249 ¹	225 ¹	172	136	107	74	59
1000S	10.000	-	-	-	-	217 ¹	172	135	93	76
1200S	12.000	-	-	-	-	-	207	163	113	92
1400S	14.000	-	-	-	-	-	242 ¹	191	133	108
1600S	16.000	-	-	-	-	-	-	219 ¹	152	124

¹ h/t exceeds 200

² h value used for h/t calculations is the flat width of the web. For Stud members, this is the out-to-out member size, minus twice the thickness, minus twice the inside bend radius.

³ h/t values exceeding 260 are marked with a dash (-)

Members with h/t between 200 and 260

Member	h/t	Member	h/t
400Sxxx18	202	1000xxx43	217
600Sxxx27	204	1200Sxxx54	207
800Sxxx30	249	1400Sxxx54	242
800Sxxx33	225	1600Sxxx68	219

Interior Non-Structural Non-Composite Table Notes

1. 5 psf, 7.5 psf, and 10 psf loads have NOT been reduced for strength or deflection checks. Full lateral load is applied.
2. Calculated properties are based on AISI S100-16, North American Specification for Cold-Formed Steel Structural Members.
3. Limiting heights are based on continuous support of each flange over the full length of the stud.
4. Limiting heights are based on steel properties only (non-composite).
5. Web crippling checks are based on end-one flange loading condition using 1-inch end bearing.
6. Allowable Flexural Strength is based on lateral and torsional bracing at a maximum spacing of 4 feet on center.

Interior Nonstructural Non-Composite											
Stud Member	Spacing in, oc	Fy, ksi	5 psf			7.5 psf			10 psf		
			L/120	L/240	L/360	L/120	L/240	L/360	L/120	L/240	L/360
162S125-18	12	33	8'-10"	7'-7"	6'-7"	7'-3"	6'-7"	5'-9"	6'-3"	6'-0"	5'-3"
	16		7'-8"	6'-11"	6'-0"	6'-3"	6'-0"	5'-3"	5'-5"	5'-5"	4'-9"
	24		6'-3"	6'-0"	5'-3"	5'-1"	5'-1"	4'-7"	4'-5"	4'-5"	4'-2"
162S125-27	12	33	11'-3"	8'-11"	7'-9"	9'-7"	7'-9"	6'-10"	8'-4"	7'-1"	6'-2"
	16		10'-2"	8'-1"	7'-1"	8'-4"	7'-1"	6'-2"	7'-2"	6'-5"	5'-7"
	24		8'-4"	7'-1"	6'-2"	6'-9"	6'-2"	5'-5"	5'-10"	5'-7"	4'-11"
162S125-30	12	33	11'-7"	9'-2"	8'-0"	10'-1"	8'-0"	7'-0"	8'-10"	7'-3"	6'-4"
	16		10'-6"	8'-4"	7'-3"	8'-10"	7'-3"	6'-4"	7'-8"	6'-7"	5'-9"
	24		8'-10"	7'-3"	6'-4"	7'-3"	6'-4"	5'-7"	6'-3"	5'-9"	5'-0"
162S125-33	12	33	12'-0"	9'-6"	8'-3"	10'-5"	8'-3"	7'-3"	9'-6"	7'-6"	6'-7"
	16		10'-10"	8'-7"	7'-6"	9'-6"	7'-6"	6'-7"	8'-3"	6'-10"	6'-0"
	24		9'-6"	7'-6"	6'-7"	7'-9"	6'-7"	5'-9"	6'-9"	6'-0"	5'-2"
250S125-18	12	33	11'-1"	10'-6"	9'-2"	9'-1"	9'-1"	8'-0"	7'-10"	7'-10"	7'-3"
	16		9'-7"	9'-6"	8'-4"	7'-10"	7'-10"	7'-3"	6'-9"	6'-9"	6'-7"
	24		7'-10"	7'-10"	7'-3"	6'-5"	6'-5"	6'-4"	5'-6"	5'-6"	5'-6"
250S125-27	12	33	14'-11"	12'-4"	10'-9"	12'-2"	10'-9"	9'-5"	10'-6"	9'-9"	8'-6"
	16		12'-11"	11'-2"	9'-9"	10'-6"	9'-9"	8'-6"	9'-1"	8'-11"	7'-9"
	24		10'-6"	9'-9"	8'-6"	8'-7"	8'-6"	7'-5"	7'-5"	7'-5"	6'-9"
250S125-30	12	33	16'-0"	12'-9"	11'-1"	13'-0"	11'-1"	9'-8"	12'-2"	10'-1"	8'-10"
	16		13'-10"	11'-7"	10'-1"	11'-3"	10'-1"	8'-10"	10'-6"	9'-2"	8'-0"
	24		11'-3"	10'-1"	8'-10"	9'-2"	8'-10"	7'-8"	8'-7"	8'-0"	7'-0"
250S125-33	12	33	16'-7"	13'-2"	11'-6"	14'-0"	11'-6"	10'-0"	13'-2"	10'-5"	9'-1"
	16		14'-11"	11'-11"	10'-5"	12'-2"	10'-5"	9'-1"	11'-11"	9'-6"	8'-3"
	24		12'-2"	10'-5"	9'-1"	9'-11"	9'-1"	7'-11"	10'-4"	8'-3"	7'-3"
250S125-43	12	33	18'-1"	14'-4"	12'-6"	15'-9"	12'-6"	10'-11"	14'-4"	11'-4"	9'-11"
	16		16'-5"	13'-0"	11'-4"	14'-4"	11'-4"	9'-11"	13'-0"	10'-4"	9'-0"
	24		14'-4"	11'-4"	9'-11"	11'-11"	9'-11"	8'-8"	10'-4"	9'-0"	7'-10"
250S125-54	12	33	19'-4"	15'-4"	13'-5"	16'-11"	13'-5"	11'-8"	15'-4"	12'-2"	10'-7"
	16		17'-7"	13'-11"	12'-2"	15'-4"	12'-2"	10'-7"	13'-11"	11'-1"	9'-8"
	24		15'-4"	12'-2"	10'-7"	13'-5"	10'-7"	9'-3"	11'-11"	9'-8"	8'-5"
350S125-18	12	33	13'-4"	13'-4"	11'-11"	10'-10"	10'-10"	10'-5"	9'-5"	9'-5"	9'-5"
	16		11'-6"	11'-6"	10'-10"	9'-5"	9'-5"	9'-5"	8'-1"	8'-1"	8'-1"
	24		9'-5"	9'-5"	9'-5"	7'-8"	7'-8"	7'-8"	6'-8"	6'-8"	6'-8"
350S125-27	12	33	17'-11"	16'-0"	13'-11"	14'-8"	13'-11"	12'-2"	12'-8"	12'-8"	11'-1"
	16		15'-7"	14'-6"	12'-8"	12'-8"	12'-8"	11'-1"	11'-0"	11'-0"	10'-1"
	24		12'-8"	12'-8"	11'-1"	10'-4"	10'-4"	9'-8"	8'-11"	8'-11"	8'-9"
350S125-30	12	33	19'-3"	16'-6"	14'-5"	15'-9"	14'-5"	12'-7"	13'-7"	13'-1"	11'-5"
	16		16'-8"	15'-0"	13'-1"	13'-7"	13'-1"	11'-5"	11'-10"	11'-10"	10'-5"
	24		13'-7"	13'-1"	11'-5"	11'-1"	11'-1"	10'-0"	9'-7"	9'-7"	9'-1"
350S125-33	12	33	21'-6"	17'-1"	14'-11"	18'-9"	14'-11"	13'-0"	17'-1"	13'-6"	11'-10"
	16		19'-6"	15'-6"	13'-6"	17'-1"	13'-6"	11'-10"	15'-5"	12'-4"	10'-9"
	24		17'-1"	13'-6"	11'-10"	14'-6"	11'-10"	10'-4"	12'-7"	10'-9"	9'-4"
350S125-43	12	33	23'-5"	18'-7"	16'-3"	20'-6"	16'-3"	14'-2"	17'-9"	14'-9"	12'-10"
	16		21'-3"	16'-11"	14'-9"	17'-9"	14'-9"	12'-10"	15'-5"	13'-5"	11'-8"
	24		17'-9"	14'-9"	12'-10"	14'-6"	12'-10"	11'-3"	12'-7"	11'-8"	10'-3"
350S125-54	12	33	25'-2"	19'-11"	17'-5"	21'-11"	17'-5"	15'-2"	19'-11"	15'-10"	13'-10"
	16		22'-10"	18'-1"	15'-10"	19'-11"	15'-10"	13'-10"	18'-1"	14'-4"	12'-7"
	24		19'-11"	15'-10"	13'-10"	17'-5"	13'-10"	12'-1"	15'-10"	12'-7"	10'-11"

See Interior Non-Structural Non-Composite Table Notes

Limiting Wall Heights - Non-Composite



Interior Nonstructural Non-Composite

Stud Member	Spacing in, oc	Fy, ksi	5 psf			7.5 psf			10 psf		
			L/120	L/240	L/360	L/120	L/240	L/360	L/120	L/240	L/360
350S125-68	12	33	26'-10"	21'-3"	18'-7"	23'-5"	18'-7"	16'-3"	21'-2"	16'-11"	14'-9"
	16		24'-4"	19'-4"	16'-11"	21'-2"	16'-11"	14'-9"	18'-4"	15'-4"	13'-5"
	24		21'-2"	16'-11"	14'-9"	17'-3"	14'-9"	12'-10"	15'-0"	13'-5"	11'-8"
350S125-68	12	50	26'-10"	21'-3"	18'-7"	23'-5"	18'-7"	16'-3"	21'-3"	16'-11"	14'-9"
	16		24'-4"	19'-4"	16'-11"	21'-3"	16'-11"	14'-9"	19'-4"	15'-4"	13'-5"
	24		21'-3"	16'-11"	14'-9"	18'-7"	14'-9"	12'-10"	16'-11"	13'-5"	11'-8"
362S125-18	12	33	13'-6"	13'-6"	12'-4"	11'-1"	11'-1"	10'-9"	9'-7"	9'-7"	9'-7"
	16		11'-9"	11'-9"	11'-2"	9'-7"	9'-7"	9'-7"	8'-3"	8'-3"	8'-3"
	24		9'-7"	9'-7"	9'-7"	7'-10"	7'-10"	7'-10"	6'-9"	6'-9"	6'-9"
362S125-27	12	33	18'-4"	16'-5"	14'-4"	14'-11"	14'-4"	12'-6"	12'-11"	12'-11"	11'-4"
	16		15'-10"	14'-11"	13'-0"	12'-11"	12'-11"	11'-4"	11'-2"	11'-2"	10'-4"
	24		12'-11"	12'-11"	11'-4"	10'-7"	10'-7"	9'-11"	9'-2"	9'-2"	9'-0"
362S125-30	12	33	19'-8"	17'-0"	14'-10"	16'-1"	14'-10"	12'-11"	13'-11"	13'-5"	11'-9"
	16		17'-0"	15'-5"	13'-5"	13'-11"	13'-5"	11'-9"	12'-0"	12'-0"	10'-8"
	24		13'-11"	13'-5"	11'-9"	11'-4"	11'-4"	10'-3"	9'-10"	9'-10"	9'-4"
362S125-33	12	33	21'-2"	17'-6"	15'-4"	17'-4"	15'-4"	13'-5"	15'-0"	13'-11"	12'-2"
	16		18'-4"	15'-11"	13'-11"	15'-0"	13'-11"	12'-2"	13'-0"	12'-8"	11'-0"
	24		15'-0"	13'-11"	12'-2"	12'-3"	12'-2"	10'-7"	10'-7"	10'-7"	9'-8"
362S125-43	12	33	24'-1"	19'-1"	16'-8"	21'-0"	16'-8"	14'-7"	18'-2"	15'-2"	13'-3"
	16		21'-11"	17'-4"	15'-2"	18'-2"	15'-2"	13'-3"	15'-9"	13'-9"	12'-0"
	24		18'-2"	15'-2"	13'-3"	14'-10"	13'-3"	11'-7"	12'-10"	12'-0"	10'-6"
362S125-54	12	33	25'-10"	20'-6"	17'-11"	22'-7"	17'-11"	15'-8"	20'-6"	16'-3"	14'-2"
	16		23'-6"	18'-7"	16'-3"	20'-6"	16'-3"	14'-2"	18'-4"	14'-9"	12'-11"
	24		20'-6"	16'-3"	14'-2"	17'-4"	14'-2"	12'-5"	15'-0"	12'-11"	11'-3"
400S125-18	12	33	14'-3"	14'-3"	13'-4"	11'-8"	11'-8"	11'-8"	10'-1"	10'-1"	10'-1"
	16		12'-4"	12'-4"	12'-1"	10'-1"	10'-1"	10'-1"	8'-9"	8'-9"	8'-9"
	24		10'-1"	10'-1"	10'-1"	8'-3"	8'-3"	8'-3"	7'-1"	7'-1"	7'-1"
400S125-27	12	33	19'-4"	17'-9"	15'-6"	15'-9"	15'-6"	13'-6"	13'-8"	13'-8"	12'-3"
	16		16'-9"	16'-1"	14'-1"	13'-8"	13'-8"	12'-3"	11'-10"	11'-10"	11'-2"
	24		13'-8"	13'-8"	12'-3"	11'-2"	11'-2"	10'-9"	9'-8"	9'-8"	9'-8"
400S125-30	12	33	20'-9"	18'-4"	16'-0"	16'-11"	16'-0"	14'-0"	14'-8"	14'-7"	12'-8"
	16		18'-0"	16'-8"	14'-7"	14'-8"	14'-7"	12'-8"	12'-8"	12'-8"	11'-6"
	24		14'-8"	14'-7"	12'-8"	12'-0"	12'-0"	11'-1"	10'-4"	10'-4"	10'-1"
400S125-33	12	33	22'-5"	18'-11"	16'-7"	18'-3"	16'-7"	14'-5"	15'-10"	15'-0"	13'-2"
	16		19'-5"	17'-3"	15'-0"	15'-10"	15'-0"	13'-2"	13'-8"	13'-8"	11'-11"
	24		15'-10"	15'-0"	13'-2"	12'-11"	12'-11"	11'-6"	11'-2"	11'-2"	10'-5"
400S125-43	12	33	26'-0"	20'-8"	18'-0"	22'-2"	18'-0"	15'-9"	19'-3"	16'-5"	14'-4"
	16		23'-7"	18'-9"	16'-5"	19'-3"	16'-5"	14'-4"	16'-8"	14'-11"	13'-0"
	24		19'-3"	16'-5"	14'-4"	15'-8"	14'-4"	12'-6"	13'-7"	13'-0"	11'-4"
400S125-54	12	33	27'-11"	22'-2"	19'-4"	24'-5"	19'-4"	16'-11"	22'-2"	22'-2"	15'-4"
	16		25'-5"	20'-2"	17'-7"	22'-2"	17'-7"	15'-4"	19'-6"	16'-0"	13'-11"
	24		22'-2"	17'-7"	15'-4"	18'-5"	15'-4"	13'-5"	15'-11"	13'-11"	12'-2"
550S125-18	12	33	16'-9"	16'-9"	16'-8"	13'-8"	13'-8"	13'-8"	11'-10"	11'-10"	11'-10"
	16		14'-6"	14'-6"	14'-6"	11'-10"	11'-10"	11'-10"	10'-3"	10'-3"	10'-3"
	24		11'-10"	11'-10"	11'-10"	9'-8"	9'-8"	9'-8"	8'-4"	8'-4"	8'-4"
550S125-27	12	33	22'-10"	22'-9"	19'-10"	18'-8"	18'-8"	17'-4"	16'-2"	16'-2"	15'-9"
	16		19'-9"	19'-9"	18'-0"	16'-2"	16'-2"	15'-9"	14'-0"	14'-0"	14'-0"
	24		16'-2"	16'-2"	15'-9"	13'-2"	13'-2"	13'-2"	11'-5"	11'-5"	11'-5"
550S125-30	12	33	24'-7"	23'-6"	20'-6"	20'-1"	20'-1"	17'-11"	17'-5"	17'-5"	16'-3"
	16		21'-4"	21'-4"	18'-8"	17'-5"	17'-5"	16'-3"	15'-1"	15'-1"	14'-10"
	24		17'-5"	17'-5"	16'-3"	14'-2"	14'-2"	14'-2"	12'-3"	12'-3"	12'-3"
550S125-33	12	33	26'-8"	24'-5"	21'-4"	21'-9"	21'-4"	18'-7"	18'-10"	18'-10"	16'-11"
	16		23'-1"	22'-2"	19'-4"	18'-10"	18'-10"	16'-11"	16'-3"	16'-3"	15'-4"
	24		18'-10"	18'-10"	16'-11"	15'-4"	15'-4"	14'-9"	13'-4"	13'-4"	13'-4"
550S125-43	12	33	32'-7"	26'-8"	23'-4"	26'-7"	23'-4"	20'-4"	23'-0"	21'-2"	18'-6"
	16		28'-3"	24'-3"	21'-2"	23'-0"	21'-2"	18'-6"	19'-11"	19'-3"	16'-10"
	24		23'-0"	21'-2"	18'-6"	18'-10"	18'-6"	16'-2"	16'-3"	16'-3"	14'-8"
550S125-54	12	33	36'-2"	28'-8"	25'-0"	31'-5"	25'-0"	21'-10"	27'-3"	22'-9"	19'-10"
	16		32'-10"	26'-1"	22'-9"	27'-3"	22'-9"	19'-10"	23'-7"	20'-8"	18'-1"
	24		27'-3"	22'-9"	19'-10"	22'-3"	19'-10"	17'-4"	19'-3"	18'-1"	15'-9"

See Interior Nonstructural Non-Composite Table Notes

Limiting Wall Heights - Non-Composite



Interior Nonstructural Non-Composite											
Stud Member	Spacing in, oc	Fy, ksi	5 psf			7.5 psf			10 psf		
			L/120	L/240	L/360	L/120	L/240	L/360	L/120	L/240	L/360
600S125-18	12	33	17'-4"	17'-4"	17'-4"	14'-2"	14'-2"	14'-2"	12'-3"	12'-3"	12'-3"
	16		15'-0"	15'-0"	15'-0"	12'-3"	12'-3"	12'-3"	10'-7"	10'-7"	10'-7"
	24		12'-3"	12'-3"	12'-3"	10'-0"	10'-0"	10'-0"	8'-8"	8'-8"	8'-8"
600S125-27	12	33	23'-10"	23'-10"	21'-2"	19'-5"	19'-5"	18'-6"	16'-10"	16'-10"	16'-10"
	16		20'-7"	20'-7"	19'-3"	16'-10"	16'-10"	16'-10"	14'-7"	14'-7"	14'-7"
	24		16'-10"	16'-10"	16'-10"	13'-9"	13'-9"	13'-9"	11'-11"	11'-11"	11'-11"
600S125-30	12	33	25'-8"	25'-2"	22'-0"	21'-0"	21'-0"	19'-2"	18'-2"	18'-2"	17'-5"
	16		22'-3"	22'-3"	19'-11"	18'-2"	18'-2"	17'-5"	15'-9"	15'-9"	15'-9"
	24		18'-2"	18'-2"	17'-5"	14'-10"	14'-10"	14'-10"	12'-10"	12'-10"	12'-10"
600S125-33	12	33	27'-10"	26'-1"	22'-9"	22'-9"	22'-9"	19'-11"	19'-8"	19'-8"	18'-1"
	16		24'-1"	23'-8"	20'-8"	19'-8"	19'-8"	18'-1"	17'-0"	17'-0"	16'-5"
	24		19'-8"	19'-8"	18'-1"	16'-1"	16'-1"	15'-9"	13'-11"	13'-11"	13'-11"
600S125-43	12	33	34'-2"	28'-8"	25'-1"	27'-10"	25'-1"	21'-11"	24'-2"	22'-9"	19'-10"
	16		29'-7"	26'-1"	22'-9"	24'-2"	22'-9"	19'-10"	20'-11"	20'-8"	18'-1"
	24		24'-2"	22'-9"	19'-10"	19'-8"	19'-8"	17'-4"	17'-1"	17'-1"	15'-9"
600S125-54	12	33	38'-10"	30'-10"	26'-11"	33'-0"	26'-11"	23'-6"	28'-7"	24'-5"	21'-4"
	16		35'-0"	28'-0"	24'-5"	28'-7"	24'-5"	21'-4"	24'-9"	22'-2"	19'-5"
	24		28'-7"	24'-5"	21'-4"	23'-4"	21'-4"	18'-8"	20'-2"	19'-5"	16'-11"
800S125-33	12	33	31'-9"	31'-9"	28'-6"	25'-11"	25'-11"	24'-11"	22'-5"	22'-5"	22'-5"
	16		27'-6"	27'-6"	25'-11"	22'-5"	22'-5"	22'-5"	19'-5"	19'-5"	19'-5"
	24		22'-5"	22'-5"	22'-5"	18'-4"	18'-4"	18'-4"	15'-10"	15'-10"	15'-10"
800S125-43	12	33	39'-3"	36'-0"	31'-6"	32'-1"	31'-6"	27'-6"	27'-9"	27'-9"	25'-0"
	16		34'-0"	32'-9"	28'-7"	27'-9"	27'-9"	25'-0"	24'-0"	24'-0"	22'-8"
	24		27'-9"	27'-9"	25'-0"	22'-8"	22'-8"	21'-10"	19'-7"	19'-7"	19'-7"
800S125-54	12	33	44'-3"	39'-1"	34'-2"	36'-1"	34'-2"	29'-10"	31'-3"	31'-0"	27'-1"
	16		38'-4"	35'-6"	31'-0"	31'-3"	31'-0"	27'-1"	27'-1"	27'-1"	24'-7"
	24		31'-3"	31'-0"	27'-1"	25'-6"	25'-6"	23'-8"	22'-1"	22'-1"	21'-6"

See Interior Nonstructural Non-Composite Table Notes

Interior Nonstructural Composite Table Notes

1. Allowable composite limiting heights are calculated using ICC-ES AC86-2012.
2. Minimum safety factor for strength = 1.508 for 5 to 10 psf, and 2.327 for 15 psf.
3. The gypsum board must be applied full height to each stud flange and installed using minimum No. 6 Type S Drywall screws spaced a maximum of 12 in. on-center for studs at 24-in spacing, and 16 in. on-center for studs at 16 and 12 in. spacing.
4. No fasteners are required for attaching the stud to the track.
5. Stud end bearing must be a minimum of 1 inch.
6. Minimum material yield strength equals 33 ksi.
7. 'f' adjacent to the height value indicates that flexural stress controls the allowable wall height.

Interior Nonstructural Composite														
Stud Member	Spacing (in. o.c.)	Fy, ksi	5 psf			7.5 psf			10 psf			15 psf		
			L/120	L/240	L/360	L/120	L/240	L/360	L/120	L/240	L/360	L/120	L/240	L/360
162S125-18	12	33	13'-0" f	11'-1"	9'-10"	10'-8" f	9'-8"	8'-7"	9'-3" f	8'-9"	7'-9"	---	---	---
	16		11'-3" f	10'-1"	8'-11"	9'-3" f	8'-9"	7'-9"	8'-0" f	7'-11"	---	---	---	---
	24		9'-3" f	8'-9"	7'-9"	---	---	---	---	---	---	---	---	---
162S125-27	12	33	14'-9"	11'-8"	10'-2"	12'-10"	10'-2"	8'-7"	11'-8"	9'-1"	7'-6"	8'-6"	---	---
	16		13'-4"	10'-7"	9'-1"	11'-8"	9'-1"	7'-6"	10'-7"	7'-11"	---	---	---	---
	24		11'-8"	9'-1"	---	10'-2"	---	---	9'-1"	---	---	---	---	---
162S125-30	12	33	14'-11"	11'-10"	10'-4"	13'-1"	10'-4"	8'-11"	11'-10"	9'-4"	7'-11"	9'-10"	7'-11"	---
	16		13'-7"	10'-9"	9'-4"	11'-10"	9'-4"	7'-11"	10'-9"	8'-3"	---	8'-6"	---	---
	24		11'-10"	9'-4"	7'-11"	10'-4"	7'-11"	---	9'-4"	---	---	---	---	---
250S125-18	12	33	16'-4" f	14'-2"	12'-9"	13'-4" f	12'-4"	11'-2"	11'-7" f	11'-3"	10'-2"	---	---	---
	16		14'-2" f	12'-10"	11'-7"	11'-7" f	11'-3"	10'-2"	10'-0" f	10'-0" f	9'-0"	---	---	---
	24		11'-7" f	11'-3"	10'-2"	9'-5" f	9'-5" f	8'-6"	8'-2" f	8'-2" f	---	---	---	---
250S125-27	12	33	18'-7"	15'-4"	13'-9"	16'-3"	13'-5"	11'-12"	14'-9"	12'-2"	10'-11"	10'-6"	10'-6" f	9'-4"
	16		16'-10"	13'-11"	12'-5"	14'-9"	12'-2"	10'-11"	13'-5"	11'-1"	9'-11"	9'-1"	9'-1" f	8'-1"
	24		14'-9"	12'-2"	10'-11"	12'-11"	10'-8"	9'-4"	11'-3" f	9'-8"	8'-1"	---	---	---
250S125-30	12	33	18'-5"	15'-10"	14'-1"	16'-1"	13'-10"	12'-4"	14'-7"	12'-7"	11'-2"	11'-0"	11'-0" f	9'-9"
	16		16'-9"	14'-5"	12'-10"	14'-7"	12'-7"	11'-2"	13'-3"	11'-5"	10'-2"	9'-6"	9'-6" f	8'-8"
	24		14'-7"	12'-7"	11'-2"	12'-9"	11'-0"	9'-9"	11'-7"	10'-0"	8'-8"	7'-9"	7'-9" f	---
250S125-33	12	33	19'-8"	15'-8"	13'-8"	17'-3"	13'-8"	11'-11"	15'-8"	12'-5"	10'-10"	11'-5"	10'-10"	9'-5"
	16		17'-11"	14'-3"	12'-5"	15'-8"	12'-5"	10'-10"	14'-3"	11'-3"	9'-10"	9'-11"	9'-10"	8'-4"
	24		15'-8"	12'-5"	10'-10"	13'-8"	10'-10"	9'-5"	12'-4" f	9'-10"	8'-4"	8'-1"	8'-1" f	---
350S125-18	12	33	18'-3" f	16'-4"	14'-4"	14'-11" f	14'-4"	12'-6"	12'-11" f	12'-11" f	11'-4"	8'-5"	8'-5" f	8'-5" f
	16		15'-10" f	14'-10"	13'-0"	12'-11" f	11'-4" f	11'-4"	11'-2" f	11'-2" f	10'-3"	---	---	---
	24		12'-11" f	12'-11" f	11'-4"	10'-7" f	10'-7" f	9'-11"	9'-2" f	9'-2" f	9'-0"	---	---	---
350S125-27	12	33	22'-6"	17'-11"	15'-7"	19'-8"	15'-7"	13'-8"	17'-11"	14'-2"	12'-4"	12'-0"	12'-0" f	10'-8"
	16		20'-6"	16'-3"	14'-2"	17'-11"	14'-2"	12'-4"	15'-10" f	12'-11"	11'-2"	10'-5"	10'-5" f	---
	24		17'-11"	14'-2"	12'-4"	14'-11" f	12'-4"	10'-8"	12'-11" f	11'-2"	---	---	---	---
350S125-30	12	33	22'-6"	17'-11"	15'-8"	19'-8"	15'-8"	13'-8"	17'-11"	14'-2"	12'-4"	12'-10"	12'-4"	10'-7"
	16		20'-6"	16'-3"	14'-2"	17'-11"	14'-2"	12'-4"	16'-3"	12'-11"	11'-1"	11'-1"	11'-1" f	---
	24		17'-11"	14'-2"	12'-4"	15'-8"	12'-4"	10'-7"	13'-9" f	11'-1"	---	---	---	---
350S125-33	12	33	23'-0"	18'-3"	15'-11"	20'-1"	15'-11"	13'-11"	18'-3"	14'-6"	12'-8"	13'-3"	12'-8"	10'-10"
	16		20'-11"	16'-7"	14'-6"	18'-3"	14'-6"	12'-8"	16'-7"	13'-2"	11'-4"	11'-6"	11'-4"	9'-8"
	24		18'-3"	14'-6"	12'-8"	15'-11"	12'-8"	10'-10"	14'-4" f	11'-4"	9'-8"	---	---	---
362S125-18	12	33	18'-8" f	16'-8"	14'-7"	15'-3" f	14'-7"	12'-9"	13'-2" f	13'-2" f	11'-6"	8'-8"	8'-8" f	8'-8" f
	16		16'-2" f	15'-2"	13'-3"	13'-2" f	13'-2" f	11'-6"	11'-5" f	11'-5" f	10'-4"	---	---	---
	24		13'-2" f	13'-2" f	11'-6"	10'-9" f	10'-9" f	9'-11"	9'-4" f	9'-4" f	8'-11"	---	---	---
362S125-27	12	33	22'-10"	18'-2"	15'-10"	19'-11"	15'-10"	13'-10"	18'-2"	14'-5"	12'-6"	12'-0"	12'-0" f	10'-7"
	16		20'-9"	16'-6"	14'-5"	18'-2"	14'-5"	12'-6"	15'-9" f	13'-1"	12'-2"	10'-5"	10'-5" f	---
	24		18'-2"	14'-5"	12'-6"	14'-11" f	12'-6"	10'-7"	12'-11" f	11'-1"	---	---	---	---
362S125-30	12	33	22'-10"	18'-3"	16'-4"	19'-11"	16'-0"	14'-3"	18'-1"	14'-6"	12'-11"	12'-8"	12'-8" f	10'-11"
	16		20'-8"	16'-7"	14'-10"	18'-1"	14'-6"	12'-11"	16'-5"	13'-2"	11'-6"	11'-0"	11'-0" f	---
	24		18'-1"	14'-6"	12'-11"	15'-9" f	12'-8"	10'-11"	13'-8" f	11'-4"	---	---	---	---
362S125-33	12	33	24'-2"	19'-2"	16'-9"	21'-1"	16'-9"	14'-8"	19'-2"	15'-3"	13'-4"	13'-5"	13'-4"	11'-4"
	16		21'-11"	17'-5"	15'-3"	19'-2"	15'-3"	13'-4"	17'-5"	13'-10"	11'-11"	11'-8"	11'-8" f	10'-1"
	24		19'-2"	15'-3"	13'-4"	16'-8" f	13'-4"	11'-4"	14'-5" f	11'-11"	10'-1"	---	---	---

See Interior Nonstructural Composite Table Notes

Limiting Wall Heights - Composite

Interior Nonstructural Composite														
Stud Member	Spacing (in, o.c.)	F _y , ksi	5 psf			7.5 psf			10 psf			15 psf		
			L/120	L/240	L/360	L/120	L/240	L/360	L/120	L/240	L/360	L/120	L/240	L/360
400S125-18	12	33	19'-3" f	17'-6"	15'-4"	15'-9" f	15'-4"	13'-4"	13'-8" f	13'-8" f	12'-2"	8'-11"	8'-11" f	8'-11" f
	16		16'-8" f	15'-11"	13'-11"	13'-8" f	13'-8" f	12'-2"	11'-10" f	11'-10" f	11'-0"	7'-9"	7'-9" f	7'-9" f
	24		13'-8" f	13'-8" f	12'-2"	11'-2" f	11'-2" f	10'-7"	9'-8" f	9'-8" f	9'-7"	---	---	---
400S125-27	12	33	24'-6"	19'-5"	17'-0"	21'-5"	17'-0"	14'-10"	18'-8" f	15'-5"	13'-6"	12'-3"	12'-3" f	11'-8"
	16		22'-3"	17'-8"	15'-5"	18'-8" f	15'-5"	13'-6"	16'-2" f	14'-0"	12'-2"	10'-8"	10'-8" f	10'-6"
	24		18'-8" f	15'-5"	13'-6"	15'-3" f	13'-6"	11'-8"	13'-3" f	12'-2"	10'-6"	---	---	---
400S125-30	12	33	24'-6"	19'-5"	17'-0"	21'-5"	17'-0"	14'-10"	19'-5"	15'-5"	13'-6"	13'-2"	13'-2"	11'-7"
	16		22'-3"	17'-8"	15'-5"	19'-5"	15'-5"	13'-6"	17'-5"	14'-0"	12'-2"	11'-5"	11'-5"	10'-4"
	24		19'-5"	15'-5"	13'-6"	16'-5"	13'-6"	11'-7"	14'-2"	12'-2"	10'-4"	---	---	---
400S125-33	12	33	25'-3"	20'-1"	17'-6"	22'-1"	17'-6"	20'-1"	20'-1"	15'-11"	13'-11"	13'-11"	13'-11"	12'-0"
	16		22'-11"	18'-3"	15'-11"	20'-1"	15'-11"	18'-3"	18'-3"	14'-5"	12'-7"	12'-1"	12'-1"	10'-9"
	24		20'-1"	15'-11"	13'-11"	17'-3"	13'-11"	15'-0"	15'-0"	12'-7"	10'-9"	9'-10"	9'-10"	---
550S125-18	12	33	21'-11"	21'-11"	21'-10"	17'-10"	17'-10"	17'-0"	15'-6"	15'-6"	15'-6"	---	---	---
	16		14'-6"	19'-0"	17'-9"	15'-6"	15'-6"	15'-6"	13'-5"	13'-5"	13'-5"	---	---	---
	24		11'-10"	15'-6"	15'-6"	12'-8"	12'-8"	12'-8"	---	---	---	---	---	---
550S125-27	12	33	30'-4"	24'-8"	21'-10"	26'-9"	21'-10"	19'-4"	23'-2"	20'-0"	17'-8"	---	---	---
	16		27'-11"	22'-8"	20'-0"	23'-2"	20'-0"	17'-8"	20'-1"	18'-4"	16'-0"	---	---	---
	24		23'-2"	20'-0"	17'-8"	18'-11"	17'-8"	15'-5"	16'-5"	16'-0"	---	---	---	---
550S125-30	12	33	30'-5"	24'-10"	22'-0"	27'-0"	22'-0"	19'-5"	24'-10"	20'-2"	17'-10"	16'-4"	16'-4"	15'-7"
	16		28'-0"	22'-9"	20'-2"	24'-10"	20'-2"	17'-10"	21'-7"	18'-6"	16'-2"	---	---	---
	24		24'-10"	20'-2"	17'-10"	20'-4"	17'-10"	15'-7"	17'-7"	16'-2"	---	---	---	---
600S125-18	12	33	23'-2"	22'-9"	19'-11"	18'-11"	18'-11"	17'-5"	16'-4"	16'-4"	15'-10"	---	---	---
	16		20'-1"	20'-1"	18'-1"	16'-4"	16'-4"	15'-10"	14'-2"	14'-2"	14'-2"	---	---	---
	24		16'-4"	16'-4"	15'-10"	13'-4"	13'-4"	13'-4"	---	---	---	---	---	---
600S125-27	12	33	32'-5"	26'-9"	23'-5"	26'-5"	23'-5"	20'-5"	22'-11"	21'-3"	16'-10"	---	---	---
	16		28'-1"	24'-4"	21'-3"	22'-11"	21'-3"	18'-7"	19'-10"	19'-4"	14'-7"	---	---	---
	24		22'-11"	21'-3"	18'-7"	18'-8"	18'-7"	16'-1"	16'-2"	16'-2"	---	---	---	---
600S125-30	12	33	34'-2"	27'-1"	23'-8"	28'-11"	23'-8"	20'-8"	25'-0"	21'-6"	18'-9"	16'-5"	16'-5"	16'-5"
	16		30'-8"	24'-7"	21'-6"	25'-0"	21'-6"	18'-9"	21'-8"	19'-6"	17'-1"	---	---	---
	24		25'-0"	21'-6"	18'-9"	20'-5"	18'-9"	16'-5"	17'-8"	17'-1"	---	---	---	---
600S125-33	12	33	35'-4"	28'-1"	24'-6"	30'-10"	24'-6"	21'-5"	27'-10"	22'-3"	19'-5"	18'-4"	18'-4"	16'-11"
	16		32'-1"	25'-6"	22'-3"	27'-10"	22'-3"	19'-5"	24'-1"	20'-3"	17'-8"	15'-10"	15'-10"	---
	24		27'-10"	22'-3"	19'-5"	22'-9"	19'-5"	16'-11"	19'-8"	17'-8"	---	---	---	---

See Interior Nonstructural Composite Table Notes

Wall Height Table Notes

1. Lateral loads have not been modified for strength checks: full loads are applied.
2. Calculated properties are based on AISI S100-12, "North American Specification for Cold-Formed Steel Structural Members."
3. For 15 psf or higher wind pressure, read the note below.

IBC 2012/ASCE 7-10: Due to the change in the model building codes, design wind pressures determined using IBC 2012/ASCE 7-10 are strength level loads (LRFD) in comparison to those determined in earlier IBC codes which were service level loads (ASD). The load/span tables that follow are based on service level (ASD) wind loads. Therefore, to properly use the load/span tables in this catalog, multiply the IBC 2012/ASCE 7-10 design wind pressures by 0.6 (Reference section 2.4 ASCE 7-10) prior to entering the load/span tables.

- Example:

 - * ASCE 7-10 Calculated Design Wind Pressure = 25 psf (Strength level loads, LRFD)
 - * Convert to service level loads (ASD) = 25 psf x 0.6 = 15 psf
 - * Use 15 psf as the Pressure Value used in this Table to determine the member span

Any Other Building Code: The load/span tables that follow are based on service level (ASD) wind loads. If the wind load being used meets this criterion, it does not need to be modified prior to using the tables.
3. 15 psf and higher wind pressures have been multiplied by 0.7 for deflection determination, in accordance with footnote "f" of IBC Table 1604.3. The 5 psf live load has not been reduced for deflection checks.
4. Limiting heights are based on continuous support of each flange over the full length of the stud.
5. Limiting heights are based on steel properties alone (non-composite).
6. Web crippling checks are based on end-one flange loading condition using 1-inch end bearing.
7. End shear and web crippling capacity have not been reduced for punchouts. Punchouts are assumed to be at least 10-inches from the end of members, in accordance with ASTM C955, Section 4.6.
8. Where limiting heights are followed by "e", web stiffeners are required.

Limiting Wall Heights - Curtain Wall /Single Span



Stud Member	Spacing, in, oc		15 psf			20 psf			25 psf			30 psf			35 psf			40 psf		
	Fy, ksi		L/240	L/360	L/600	L/240	L/360	L/600	L/240	L/360	L/600	L/240	L/360	L/600	L/240	L/360	L/600	L/240	L/360	L/600
250S137-33	12	33	10' 10"	9' 5"	8' 0"	9' 10"	8' 7"	7' 3"	9' 1"	8' 0"	6' 9"	8' 4"	7' 6"	6' 4"	7' 8"	7' 2"	6' 0"	7' 2"	6' 10"	5' 9"
250S137-33	16	33	9' 10"	8' 7"	7' 3"	8' 10"	7' 10"	6' 7"	7' 10"	7' 3"	6' 1"	7' 2"	6' 10"	5' 9"	6' 8"	6' 6"	5' 6"	6' 3"	6' 2"	5' 3"
250S137-33	24	33	8' 4"	7' 6"	6' 4"	7' 2"	6' 10"	5' 9"	6' 5"	6' 4"	5' 4"	5' 10" e	5' 10" e	5' 0"	5' 5" e	5' 5" e	4' 9"	5' 1" e	5' 1" e	4' 7" e
250S137-43	12	33	11' 9"	10' 3"	8' 8"	10' 8"	9' 4"	7' 10"	9' 11"	8' 8"	7' 4"	9' 4"	8' 2"	6' 11"	8' 10"	7' 9"	6' 6"	8' 6"	7' 5"	6' 3"
250S137-43	16	33	10' 8"	9' 4"	7' 10"	9' 9"	8' 6"	7' 2"	9' 0"	7' 10"	6' 8"	8' 6"	7' 5"	6' 3"	8' 1"	7' 0"	5' 11"	7' 6"	6' 9"	5' 8"
250S137-43	24	33	9' 4"	8' 2"	6' 11"	8' 6"	7' 5"	6' 3"	7' 9"	6' 11"	5' 10"	7' 1"	6' 6"	5' 6"	6' 7"	6' 2"	5' 2"	6' 2"	5' 11"	5' 0"
250S137-54	12	33	12' 7"	11' 0"	9' 3"	11' 5"	10' 0"	8' 5"	10' 7"	9' 3"	7' 10"	10' 0"	8' 9"	7' 4"	9' 6"	8' 3"	7' 0"	9' 1"	7' 11"	6' 8"
250S137-54	16	33	11' 5"	10' 0"	8' 5"	10' 5"	9' 1"	7' 8"	9' 8"	8' 5"	7' 1"	9' 1"	7' 11"	6' 8"	8' 7"	7' 6"	6' 4"	8' 3"	7' 2"	6' 1"
250S137-54	24	33	10' 0"	8' 9"	7' 4"	9' 1"	7' 11"	6' 8"	8' 5"	7' 4"	6' 2"	7' 11"	6' 11"	5' 10"	7' 5"	6' 7"	5' 7"	6' 11"	6' 3"	5' 4"
250S137-54	12	50	12' 7"	11' 0"	9' 3"	11' 5"	10' 0"	8' 5"	10' 7"	9' 3"	7' 10"	10' 0"	8' 9"	7' 4"	9' 6"	8' 3"	7' 0"	9' 1"	7' 11"	6' 8"
250S137-54	16	50	11' 5"	10' 0"	8' 5"	10' 5"	9' 1"	7' 8"	9' 8"	8' 5"	7' 1"	9' 1"	7' 11"	6' 8"	8' 7"	7' 6"	6' 4"	8' 3"	7' 2"	6' 1"
250S137-54	24	50	10' 0"	8' 9"	7' 4"	9' 1"	7' 11"	6' 8"	8' 5"	7' 4"	6' 2"	7' 11"	6' 11"	5' 10"	7' 6"	6' 7"	5' 7"	7' 2"	6' 3"	5' 4"
250S137-68	12	33	13' 5"	11' 9"	9' 11"	12' 2"	10' 8"	9' 0"	11' 4"	9' 11"	8' 4"	10' 8"	9' 4"	7' 10"	10' 1"	8' 10"	7' 5"	9' 8"	8' 5"	7' 1"
250S137-68	16	33	12' 2"	10' 8"	9' 0"	11' 1"	9' 8"	8' 2"	10' 3"	9' 0"	7' 7"	9' 8"	8' 5"	7' 1"	9' 2"	8' 0"	6' 9"	8' 9"	7' 8"	6' 6"
250S137-68	24	33	10' 8"	9' 4"	7' 10"	9' 8"	8' 5"	7' 1"	9' 0"	7' 10"	6' 7"	8' 5"	7' 5"	6' 3"	8' 0"	7' 0"	5' 11"	7' 8"	6' 8"	5' 8"
250S137-68	12	50	13' 5"	11' 9"	9' 11"	12' 2"	10' 8"	9' 0"	11' 4"	9' 11"	8' 4"	10' 8"	9' 4"	7' 10"	10' 1"	8' 10"	7' 5"	9' 8"	8' 5"	7' 1"
250S137-68	16	50	12' 2"	10' 8"	9' 0"	11' 1"	9' 8"	8' 2"	10' 3"	9' 0"	7' 7"	9' 8"	8' 5"	7' 1"	9' 2"	8' 0"	6' 9"	8' 9"	7' 8"	6' 6"
250S137-68	24	50	10' 8"	9' 4"	7' 10"	9' 8"	8' 5"	7' 1"	9' 0"	7' 10"	6' 7"	8' 5"	7' 5"	6' 3"	8' 0"	7' 0"	5' 11"	7' 8"	6' 8"	5' 8"
250S162-33	12	33	11' 4"	9' 11"	8' 5"	10' 4"	9' 0"	7' 7"	9' 7"	8' 5"	7' 1"	8' 11"	7' 11"	6' 8"	8' 3"	7' 6"	6' 4"	7' 8"	7' 2"	6' 0"
250S162-33	16	33	10' 4"	9' 0"	7' 7"	9' 5"	8' 2"	6' 11"	8' 5"	7' 7"	6' 5"	7' 8"	7' 2"	6' 0"	7' 2"	6' 10"	5' 9"	6' 8" e	6' 6" e	5' 6"
250S162-33	24	33	8' 11"	7' 11"	6' 8"	7' 8"	7' 2"	6' 0"	6' 11"	6' 8"	5' 7"	6' 3" e	6' 3" e	5' 3"	5' 10" e	5' 10" e	5' 0" e	5' 5" e	5' 5" e	4' 10" e
250S162-43	12	33	12' 4"	10' 10"	9' 1"	11' 3"	9' 10"	8' 3"	10' 5"	9' 1"	7' 8"	9' 10"	8' 7"	7' 3"	9' 4"	8' 2"	6' 10"	8' 11"	7' 9"	6' 7"
250S162-43	16	33	11' 3"	9' 10"	8' 3"	10' 2"	8' 11"	7' 6"	9' 6"	8' 3"	7' 0"	8' 11"	7' 9"	6' 7"	8' 6"	7' 5"	6' 3"	8' 1"	7' 1"	6' 0"
250S162-43	24	33	9' 10"	8' 7"	7' 3"	8' 11"	7' 9"	6' 7"	8' 3"	7' 3"	6' 1"	7' 7"	6' 10"	5' 9"	7' 1"	6' 6"	5' 5"	6' 7"	6' 2"	5' 3"
250S162-54	12	33	13' 3"	11' 7"	9' 9"	12' 0"	10' 6"	8' 10"	11' 2"	9' 9"	8' 3"	10' 6"	9' 2"	7' 9"	10' 0"	8' 8"	7' 4"	9' 6"	8' 4"	7' 0"
250S162-54	16	33	12' 0"	10' 6"	8' 10"	10' 11"	9' 6"	8' 0"	10' 2"	8' 10"	7' 6"	9' 6"	8' 4"	7' 0"	9' 1"	7' 11"	6' 8"	8' 8"	7' 7"	6' 5"
250S162-54	24	33	10' 6"	9' 2"	7' 9"	9' 6"	8' 4"	7' 0"	8' 10"	7' 9"	6' 6"	8' 4"	7' 3"	6' 2"	7' 11"	6' 11"	5' 10"	7' 7"	6' 7"	5' 7"
250S162-54	12	50	13' 3"	11' 7"	9' 9"	12' 0"	10' 6"	8' 10"	11' 2"	9' 9"	8' 3"	10' 6"	9' 2"	7' 9"	10' 0"	8' 8"	7' 4"	9' 6"	8' 4"	7' 0"
250S162-54	16	50	12' 0"	10' 6"	8' 10"	10' 11"	9' 6"	8' 0"	10' 2"	8' 10"	7' 6"	9' 6"	8' 4"	7' 0"	9' 1"	7' 11"	6' 8"	8' 8"	7' 7"	6' 5"
250S162-54	24	50	10' 6"	9' 2"	7' 9"	9' 6"	8' 4"	7' 0"	8' 10"	7' 9"	6' 6"	8' 4"	7' 3"	6' 2"	7' 11"	6' 11"	5' 10"	7' 7"	6' 7"	5' 7"
250S162-68	12	33	14' 1"	12' 4"	10' 5"	12' 10"	11' 2"	9' 5"	11' 11"	10' 5"	8' 9"	11' 2"	9' 9"	8' 3"	10' 8"	9' 4"	7' 10"	10' 2"	8' 11"	7' 6"
250S162-68	16	33	12' 10"	11' 2"	9' 5"	11' 8"	10' 2"	8' 7"	10' 10"	9' 5"	8' 0"	10' 2"	8' 11"	7' 6"	9' 8"	8' 5"	7' 1"	9' 3"	8' 1"	6' 10"
250S162-68	24	33	11' 2"	9' 9"	8' 3"	10' 2"	8' 11"	7' 6"	9' 5"	8' 3"	7' 0"	8' 11"	7' 9"	6' 7"	8' 5"	7' 5"	6' 3"	8' 1"	7' 1"	5' 11"
250S162-68	12	50	14' 1"	12' 4"	10' 5"	12' 10"	11' 2"	9' 5"	11' 11"	10' 5"	8' 9"	11' 2"	9' 9"	8' 3"	10' 8"	9' 4"	7' 10"	10' 2"	8' 11"	7' 6"
250S162-68	16	50	12' 10"	11' 2"	9' 5"	11' 8"	10' 2"	8' 7"	10' 10"	9' 5"	8' 0"	10' 2"	8' 11"	7' 6"	9' 8"	8' 5"	7' 1"	9' 3"	8' 1"	6' 10"
250S162-68	24	50	11' 2"	9' 9"	8' 3"	10' 2"	8' 11"	7' 6"	9' 5"	8' 3"	7' 0"	8' 11"	7' 9"	6' 7"	8' 5"	7' 5"	6' 3"	8' 1"	7' 1"	5' 11"
350S162-33	16	33	13' 0"	11' 8"	9' 10"	11' 3"	10' 7"	8' 11"	10' 1" e	9' 10"	8' 4"	9' 2" e	9' 2" e	7' 10"	8' 6" e	8' 6" e	7' 5" e	8' 0" e	8' 0" e	7' 1" e
350S162-33	24	33	10' 8"	10' 2"	8' 7"	9' 2" e	9' 2" e	7' 10"	8' 3" e	8' 3" e	7' 3" e	7' 6" e	7' 6" e	6' 10" e	7' 0" e	7' 0" e	6' 6" e	6' 6" e	6' 6" e	6' 2" e
350S162-43	12	33	16' 0"	14' 0"	11' 9"	14' 6"	12' 8"	10' 8"	13' 6"	11' 9"	9' 11"	12' 6"	11' 1"	9' 4"	11' 7"	10' 6"	8' 11"	10' 10"	10' 1"	8' 6"
350S162-43	16	33	14' 6"	12' 8"	10' 8"	13' 2"	11' 6"	9' 9"	11' 10"	10' 8"	9' 0"	10' 10"	10' 1"	8' 6"	10' 0"	9' 7"	8' 1"	9' 5"	9' 2"	7' 9"
350S162-43	24	33	12' 6"	11' 1"	9' 4"	10' 10"	10' 1"	8' 6"	9' 8"	9' 4"	7' 11"	8' 10"	8' 10"	7' 5"	8' 2" e	8' 2" e	7' 1"	7' 8" e	7' 8" e	6' 9"
350S162-54	12	33	17' 2"	15' 0"	12' 7"	15' 7"	13' 7"	11' 6"	14' 5"	12' 7"	10' 8"	13' 7"	11' 10"	10' 0"	12' 11"	11' 3"	9' 6"	12' 2"	10' 9"	9' 1"
350S162-54	16	33	15' 7"	13' 7"	11' 6"	14' 2"	12' 4"	10' 5"	13' 1"	11' 6"	9' 8"	12' 4"	10' 9"	9' 1"	11' 3"	10' 3"	8' 8"	10' 6"	9' 10"	8' 3"
350S162-54	24	33	13' 7"	11' 10"	10' 0"	12' 2"	10' 9"	9' 1"	10' 10"	10' 0"	8' 5"	9' 11"	9' 5"	7' 11"	9' 2"	8' 11"	7' 7"	8' 7"	8' 7"	7' 3"
350S162-54	12	50	17' 2"	15' 0"	12' 7"	15' 7"	13' 7"	11' 6"	14' 5"	12' 7"	10' 8"	13' 7"	11' 10"	10' 0"	12' 11"	11' 3"	9' 6"	12' 4"	10' 9"	9' 1"
350S162-54	16	50	15' 7"	13' 7"	11' 6"	14' 2"	12' 4"	10' 5"	13' 1"	11' 6"	9' 8"	12' 4"	10' 9"	9' 1"	11' 9"	10' 3"	8' 8"	11' 3"	9' 10"	8' 3"
350S162-54	24	50	13' 7"	11' 10"	10' 0"	12' 4"	10' 9"	9' 1"	11' 6"	10' 0"	8' 5"	10' 9"	9' 5"	7' 11"	10' 3"	8' 11"	7' 7"	9' 10"	8' 7"	7' 3"
350S162-68	12	33	18' 4"	16' 0"	13' 6"	16' 8"	14' 6"	12' 3"	15' 5"	13' 6"	11' 5"	14' 6"	12' 8"	10' 9"	13' 10"	12' 1"	10' 2"	13' 3"	11' 6"	9' 9"
350S162-68	16	33	16' 8"	14' 6"	12' 3"	15' 1"	13' 3"	11' 2"	14' 0"	12' 3"	10' 4"	13' 3"	11' 6"	9' 9"	12' 7"	11' 0"	9' 3"	12' 0"	10' 6"	8' 10"
350S162-68	24	33	14' 6"	12' 8"	10' 9"	13' 3"	11' 6"	9' 9"	12' 3"	10' 9"	9' 0"	11' 6"	10' 1"	8' 6"	10' 11"	9' 7"	8' 1"	10' 3"	9' 2"	7' 9"
350S162-68	12	50	18' 4"	16' 0"	13' 6"	16' 8"	14' 6"	12' 3"	15' 5"	13' 6"	11' 5"	14' 6"	12' 8"	10' 9"	13' 10"	12' 1"	10' 2"	13' 3"	11' 6"	9' 9"
350S162-68	16	50	16' 8"	14' 6"	12' 3"	15' 1"	13' 3"	11' 2"	14' 0"	12' 3"	10' 4"	13' 3"	11' 6"	9' 9"	12' 7"	11' 0"	9' 3"	12' 0"	10' 6"	8' 10"
350S162-68	24	50	14' 6"	12' 8"	10' 9"	13' 3"	11' 6"	9' 9"	12' 3"	10' 9"	9' 0"	11' 6"	10' 1"	8' 6"	10' 11"	9' 7"	8' 1"	10' 3"	9' 2"	7' 9"
350S162-97	12	33	20' 2"	17' 8"	14' 11"	18' 4"	16' 0"	13' 6"	17' 0"	14' 11"	12' 7"	16' 0"	14' 0"	11' 10"	15' 3"	13' 4"	11' 3"	14' 7"	12' 9"	10' 9"
350S162-97	16	33	18' 4"	16' 0"	13' 6"	16' 8"	14' 7"	12' 3"	15' 6"	13' 6"	11' 5"	14' 7"	12' 9"	10' 9"	13' 10"	12' 1"	10' 2"	13' 3"	11' 7"	9' 9"
350S162-97	24	33	16' 0"	14' 0"	11' 10"	14' 7"	12' 9"	10' 9"	13' 6"	11' 10"	10' 0"	12' 9"	11' 1"	9' 5"	11' 11"	10' 7"	8' 11"	11' 2"	10' 1"	8' 6"
350S162-97	12	50	20' 2"	17' 8"	14' 11"	18' 4"	16' 0"	13' 6"	17' 0"	14' 11"	12' 7"	16' 0"	14' 0"	11' 10"	15' 3"	13' 4"	11' 3"	14' 7"	12' 9"	10' 9"
350S162-97	16	50	18' 4"	16' 0"	13' 6"	16' 8"	14' 7"	12' 3"	15' 6"	13' 6"	11' 5"	14								

Limiting Wall Heights - Curtain Wall/Single Span



Stud Member	Spacing, in, oc	Fy, ksi	15 psf			20 psf			25 psf			30 psf			35 psf			40 psf		
			L/240	L/360	L/600	L/240	L/360	L/600	L/240	L/360	L/600	L/240	L/360	L/600	L/240	L/360	L/600	L/240	L/360	L/600
350S200-54	12	33	18' 1"	15' 10"	13' 4"	16' 5"	14' 4"	12' 1"	15' 3"	13' 4"	11' 3"	14' 4"	12' 7"	10' 7"	13' 8"	11' 11"	10' 1"	13' 1"	11' 5"	9' 7"
350S200-54	16	33	16' 5"	14' 4"	12' 1"	14' 11"	13' 1"	11' 0"	13' 10"	12' 1"	10' 3"	13' 1"	11' 5"	9' 7"	12' 5"	10' 10"	9' 2"	11' 7"	10' 4"	8' 9"
350S200-54	24	33	14' 4"	12' 7"	10' 7"	13' 1"	11' 5"	9' 7"	12' 0"	10' 7"	8' 11"	10' 11"	10' 0"	8' 5"	10' 1"	9' 6"	8' 0"	9' 5"	9' 1"	7' 8"
350S200-54	12	50	18' 1"	15' 10"	13' 4"	16' 5"	14' 4"	12' 1"	15' 3"	13' 4"	11' 3"	14' 4"	12' 7"	10' 7"	13' 8"	11' 11"	10' 1"	13' 1"	11' 5"	9' 7"
350S200-54	16	50	16' 5"	14' 4"	12' 1"	14' 11"	13' 1"	11' 0"	13' 10"	12' 1"	10' 3"	13' 1"	11' 5"	9' 7"	12' 5"	10' 10"	9' 2"	11' 10"	10' 4"	8' 9"
350S200-54	24	50	14' 4"	12' 7"	10' 7"	13' 1"	11' 5"	9' 7"	12' 1"	10' 7"	8' 11"	11' 5"	10' 0"	8' 5"	10' 10"	9' 6"	8' 0"	10' 4"	9' 1"	7' 8"
350S200-68	12	33	19' 5"	16' 11"	14' 3"	17' 7"	15' 5"	13' 0"	16' 4"	14' 3"	12' 1"	15' 5"	13' 5"	11' 4"	14' 7"	12' 9"	10' 9"	14' 0"	12' 3"	10' 4"
350S200-68	16	33	17' 7"	15' 5"	13' 0"	16' 0"	14' 0"	11' 9"	14' 10"	13' 0"	10' 11"	14' 0"	12' 3"	10' 4"	13' 3"	11' 7"	9' 9"	12' 8"	11' 1"	9' 4"
350S200-68	24	50	15' 5"	13' 5"	11' 4"	14' 0"	12' 3"	10' 4"	13' 0"	11' 4"	9' 7"	12' 3"	10' 8"	9' 0"	11' 7"	10' 2"	8' 7"	11' 1"	9' 8"	8' 2"
350S200-97	12	33	21' 5"	18' 9"	15' 10"	19' 6"	17' 0"	14' 4"	18' 1"	15' 10"	13' 4"	17' 0"	14' 10"	12' 6"	16' 2"	14' 1"	11' 11"	15' 5"	13' 6"	11' 5"
350S200-97	16	33	19' 6"	17' 0"	14' 4"	17' 8"	15' 5"	13' 0"	16' 5"	14' 4"	12' 1"	15' 5"	13' 6"	11' 5"	14' 8"	12' 10"	10' 10"	14' 1"	12' 3"	10' 4"
350S200-97	24	33	17' 0"	14' 10"	12' 6"	15' 5"	13' 6"	11' 5"	14' 4"	12' 6"	10' 7"	13' 6"	11' 10"	9' 11"	12' 10"	11' 2"	9' 5"	12' 2"	10' 9"	9' 0"
350S200-97	12	50	21' 5"	18' 9"	15' 10"	19' 6"	17' 0"	14' 4"	18' 1"	15' 10"	13' 4"	17' 0"	14' 10"	12' 6"	16' 2"	14' 1"	11' 11"	15' 5"	13' 6"	11' 5"
350S200-97	16	50	19' 6"	17' 0"	14' 4"	17' 8"	15' 5"	13' 0"	16' 5"	14' 4"	12' 1"	15' 5"	13' 6"	11' 5"	14' 8"	12' 10"	10' 10"	14' 1"	12' 3"	10' 4"
350S200-97	24	50	17' 0"	14' 10"	12' 6"	15' 5"	13' 6"	11' 5"	14' 4"	12' 6"	10' 7"	13' 6"	11' 10"	9' 11"	12' 10"	11' 2"	9' 5"	12' 2"	10' 9"	9' 0"
362S137-33	12	33	14' 3"	12' 7"	10' 7"	12' 4"	11' 5"	9' 8"	11' 1"	10' 7"	8' 11"	10' 1"	10' 0"	8' 5"	9' 4"	9' 4"	8' 0"	8' 9"	8' 9"	7' 8"
362S137-33	16	33	12' 4"	11' 5"	9' 8"	10' 9"	10' 5"	8' 9"	9' 7"	9' 7"	8' 2"	8' 9"	8' 9"	7' 8"	8' 1"	8' 1"	7' 3"	7' 7"	7' 7"	6' 11"
362S137-33	24	33	10' 1"	10' 0"	8' 5"	8' 9"	8' 9"	7' 8"	7' 10"	7' 10"	7' 1"	7' 2"	7' 2"	6' 8"	6' 7"	6' 7"	6' 4"	6' 2"	6' 2"	6' 1"
362S137-43	12	33	15' 8"	13' 8"	11' 7"	14' 3"	12' 5"	10' 6"	13' 0"	11' 7"	9' 9"	11' 10"	10' 10"	9' 2"	11' 0"	10' 4"	8' 8"	10' 3"	9' 10"	8' 4"
362S137-43	16	33	14' 3"	12' 5"	10' 6"	12' 7"	11' 4"	9' 6"	11' 3"	10' 6"	8' 10"	10' 3"	9' 10"	8' 4"	9' 6"	9' 5"	7' 11"	8' 11"	8' 11"	7' 7"
362S137-43	24	33	11' 10"	10' 10"	9' 2"	10' 3"	9' 10"	8' 4"	9' 2"	9' 2"	7' 9"	8' 5"	8' 5"	7' 3"	7' 9"	7' 9"	6' 11"	7' 3"	7' 3"	6' 7"
362S137-54	12	33	16' 9"	14' 8"	12' 4"	15' 3"	13' 4"	11' 3"	14' 2"	12' 4"	10' 5"	13' 3"	11' 8"	9' 10"	12' 4"	11' 1"	9' 4"	11' 6"	10' 7"	8' 11"
362S137-54	16	33	15' 3"	13' 4"	11' 3"	13' 10"	12' 1"	10' 2"	12' 7"	11' 3"	9' 6"	11' 6"	10' 7"	8' 11"	10' 8"	10' 0"	8' 6"	10' 0"	9' 7"	8' 1"
362S137-54	24	33	13' 3"	11' 8"	9' 10"	11' 6"	10' 7"	8' 11"	10' 4"	9' 10"	8' 3"	9' 5"	9' 3"	7' 9"	8' 8"	8' 8"	7' 5"	8' 2"	8' 2"	7' 1"
362S137-54	12	50	16' 9"	14' 8"	12' 4"	15' 3"	13' 4"	11' 3"	14' 2"	12' 4"	10' 5"	13' 4"	11' 8"	9' 10"	12' 8"	11' 1"	9' 4"	12' 1"	10' 7"	8' 11"
362S137-54	16	50	15' 3"	13' 4"	11' 3"	13' 10"	12' 1"	10' 2"	12' 10"	11' 3"	9' 6"	12' 1"	10' 7"	8' 11"	11' 6"	10' 0"	8' 6"	11' 0"	9' 7"	8' 1"
362S137-54	24	50	13' 4"	11' 8"	9' 10"	12' 1"	10' 7"	8' 11"	11' 3"	9' 10"	8' 3"	10' 7"	9' 3"	7' 9"	10' 0"	8' 9"	7' 5"	9' 7"	8' 5"	7' 1"
362S137-68	12	33	17' 11"	15' 8"	13' 2"	16' 3"	14' 3"	12' 0"	15' 1"	13' 2"	11' 2"	14' 3"	12' 5"	10' 6"	13' 6"	11' 10"	9' 11"	12' 10"	11' 4"	9' 6"
362S137-68	16	33	16' 3"	14' 3"	12' 0"	14' 10"	12' 11"	10' 11"	13' 9"	12' 0"	10' 1"	12' 10"	11' 4"	9' 6"	11' 10"	10' 9"	9' 1"	11' 1"	10' 3"	8' 8"
362S137-68	24	33	14' 3"	12' 5"	10' 6"	12' 10"	11' 4"	9' 6"	11' 5"	10' 6"	8' 10"	10' 5"	9' 10"	8' 4"	9' 8"	9' 4"	7' 11"	9' 1"	9' 0"	7' 7"
362S137-68	12	50	17' 11"	15' 8"	13' 2"	16' 3"	14' 3"	12' 0"	15' 1"	13' 2"	11' 2"	14' 3"	12' 5"	10' 6"	13' 6"	11' 10"	9' 11"	12' 11"	11' 4"	9' 6"
362S137-68	16	50	16' 3"	14' 3"	12' 0"	14' 10"	12' 11"	10' 11"	13' 9"	12' 0"	10' 1"	12' 11"	11' 4"	9' 6"	12' 3"	10' 9"	9' 1"	11' 9"	10' 3"	8' 8"
362S137-68	24	50	14' 3"	12' 5"	10' 6"	12' 11"	11' 4"	9' 6"	12' 0"	10' 6"	8' 10"	11' 4"	9' 10"	8' 4"	10' 9"	9' 4"	7' 11"	10' 3"	9' 0"	7' 7"
362S162-33	12	33	15' 1"	13' 2"	11' 1"	13' 3"	12' 0"	10' 1"	11' 11"	11' 1"	9' 5"	10' 10"	10' 6"	8' 10"	10' 0"	9' 11"	8' 5"	9' 5"	9' 5"	8' 0"
362S162-33	16	33	13' 3"	12' 0"	10' 1"	11' 6"	10' 11"	9' 2"	10' 3"	10' 1"	8' 6"	9' 5"	9' 5"	8' 0"	8' 8"	8' 8"	7' 7"	8' 2"	8' 2"	7' 3"
362S162-33	24	33	10' 10"	10' 6"	8' 10"	9' 5"	9' 5"	8' 0"	8' 5"	8' 5"	7' 5"	7' 8"	7' 8"	7' 0"	7' 1"	7' 1"	6' 8"	6' 8"	6' 8"	6' 4"
362S162-43	12	33	16' 5"	14' 4"	12' 1"	14' 11"	13' 0"	11' 0"	13' 10"	12' 1"	10' 2"	12' 9"	11' 5"	9' 7"	11' 10"	10' 10"	9' 1"	11' 1"	10' 4"	8' 9"
362S162-43	16	33	14' 11"	13' 0"	11' 0"	13' 7"	11' 10"	10' 0"	12' 1"	11' 0"	9' 3"	11' 1"	10' 4"	8' 9"	10' 3"	9' 10"	8' 3"	9' 7"	9' 5"	7' 11"
362S162-43	24	33	12' 9"	11' 5"	9' 7"	11' 1"	10' 4"	8' 9"	9' 11"	9' 7"	8' 1"	9' 0"	9' 0"	7' 7"	8' 4"	8' 4"	7' 3"	7' 10"	7' 10"	6' 11"
362S162-54	12	33	17' 7"	15' 4"	13' 0"	16' 0"	14' 0"	11' 9"	14' 10"	13' 0"	10' 11"	14' 0"	12' 2"	10' 3"	13' 3"	11' 7"	9' 9"	12' 8"	11' 1"	9' 4"
362S162-54	16	33	16' 0"	14' 0"	11' 9"	14' 6"	12' 8"	10' 8"	13' 6"	11' 9"	9' 11"	12' 5"	11' 1"	9' 4"	11' 6"	10' 6"	8' 11"	10' 9"	10' 1"	8' 8"
362S162-54	24	33	14' 0"	12' 2"	10' 3"	12' 5"	11' 1"	9' 4"	11' 1"	10' 3"	8' 8"	10' 1"	9' 8"	8' 2"	9' 4"	9' 2"	7' 9"	8' 9"	8' 9"	7' 5"
362S162-54	12	50	17' 7"	15' 4"	13' 0"	16' 0"	14' 0"	11' 9"	14' 10"	13' 0"	10' 11"	14' 0"	12' 2"	10' 3"	13' 3"	11' 7"	9' 9"	12' 8"	11' 1"	9' 4"
362S162-54	16	50	16' 0"	14' 0"	11' 9"	14' 6"	12' 8"	10' 8"	13' 6"	11' 9"	9' 11"	12' 8"	11' 1"	9' 4"	12' 1"	10' 6"	8' 11"	11' 6"	10' 1"	8' 6"
362S162-54	24	50	14' 0"	12' 2"	10' 3"	12' 8"	11' 1"	9' 4"	11' 1"	10' 3"	8' 8"	11' 1"	9' 8"	8' 2"	10' 6"	9' 2"	7' 9"	10' 1"	8' 10"	7' 5"
362S162-68	12	33	18' 10"	16' 5"	13' 10"	17' 1"	14' 11"	12' 7"	15' 11"	13' 10"	11' 8"	14' 11"	13' 1"	11' 0"	14' 2"	12' 5"	10' 6"	13' 7"	11' 10"	10' 0"
362S162-68	16	33	17' 1"	14' 11"	12' 7"	15' 6"	13' 7"	11' 5"	14' 5"	12' 7"	10' 8"	13' 7"	11' 10"	10' 0"	12' 9"	11' 3"	9' 6"	11' 11"	10' 9"	9' 1"
362S162-68	24	33	14' 11"	13' 1"	11' 0"	13' 7"	11' 10"	10' 0"	12' 4"	11' 0"	9' 3"	11' 3"	10' 4"	8' 9"	10' 5"	9' 10"	8' 4"	9' 9"	9' 5"	7' 11"
362S162-68	12	50	18' 10"	16' 5"	13' 10"	17' 1"	14' 11"	12' 7"	15' 11"	13' 10"	11' 8"	14' 11"	13' 1"	11' 0"	14' 2"	12' 5"	10' 6"	13' 7"	11' 10"	10' 0"
362S162-68	16	50	17' 1"	14' 11"	12' 7"	15' 6"	13' 7"	11' 5"	14' 5"	12' 7"	10' 8"	13' 7"	11' 10"	10' 0"	12' 11"	11' 3"	9' 6"	12' 4"	10' 9"	9' 1"
362S162-68	24	50	14' 11"	13' 1"	11' 0"	13' 7"	11' 10"	10' 0"	12' 7"	11' 0"	9' 3"	11' 10"	10' 4"	8' 9"	11' 3"	9' 10"	8' 4"	10' 9"	9' 5"	7' 11"
362S162-97	12	33	20' 9"	18' 2"	15' 4"	18' 10"	16' 6"	13' 11"	17' 6"	15' 4"	12' 11"	16' 6"	14' 5"	12' 2"	15' 8"	13' 8"	11' 6"	15' 0"	13' 1"	11' 0"
362S162-97	16	33	18' 10"	16' 6"	13' 11"	17' 2"	15' 0"	12' 8"	15' 11"	13' 11"	11' 9"	15' 0"	13' 1"	11' 0"	14' 3"	12' 5"	10' 6"	13' 7"	11' 11"	10' 0"
362S162-97	24	33	16' 6"	14' 5"	12' 2"	15' 0"	13' 1"	11' 0"	13' 11"	12' 2"	10' 3"	13' 1"	11' 5"	9' 8"	12' 3"	10' 10"	9' 2"	11' 5"	10' 5"	8' 9"
362S162-97	12	50	20' 9"	18' 2"	15' 4"	18' 10"	16' 6"	13' 11"	17' 6"	15' 4"	12' 11"	16' 6"	14' 5"	12' 2"	15' 8"	13' 8"	11' 6"	15' 0"	13' 1"	11' 0"
362S162-97	16	50	18' 10"	16' 6"	13' 11"	17' 2"	15' 0"	12' 8"	15' 11"	13' 11"	11' 9"	15' 0"	13' 1"	11' 0"	14' 3"	12' 5"	10' 6"	13' 7"	11' 11"	10' 0"
362S162-97	24	50	16' 6"	14' 5"	12'															

Limiting Wall Heights - Curtain Wall/Single Span



Stud Member	Spacing, in, oc	Fy, ksi	15 psf			20 psf			25 psf			30 psf			35 psf			40 psf		
			L/240	L/360	L/600	L/240	L/360	L/600	L/240	L/360	L/600	L/240	L/360	L/600	L/240	L/360	L/600	L/240	L/360	L/600
362S200-54	12	33	18' 7"	16' 3"	13' 8"	16' 11"	14' 9"	12' 5"	15' 8"	13' 8"	11' 7"	14' 9"	12' 11"	10' 11"	14' 0"	12' 3"	10' 4"	13' 5"	11' 9"	9' 11"
362S200-54	16	33	16' 11"	14' 9"	12' 5"	15' 4"	13' 5"	11' 4"	14' 3"	12' 5"	10' 6"	13' 5"	11' 9"	9' 11"	12' 6"	11' 2"	9' 5"	11' 8"	10' 8"	9' 0"
362S200-54	24	33	14' 9"	12' 11"	10' 11"	13' 5"	11' 9"	9' 11"	12' 1"	10' 11"	9' 2"	11' 0"	10' 3"	8' 8"	10' 2"	9' 9"	8' 2"	9' 7"	9' 4"	7' 10"
362S200-54	12	50	18' 7"	16' 3"	13' 8"	16' 11"	14' 9"	12' 5"	15' 8"	13' 8"	11' 7"	14' 9"	12' 11"	10' 11"	14' 0"	12' 3"	10' 4"	13' 5"	11' 9"	9' 11"
362S200-54	16	50	16' 11"	14' 9"	12' 5"	15' 4"	13' 5"	11' 4"	14' 3"	12' 5"	10' 6"	13' 5"	11' 9"	9' 11"	12' 9"	11' 2"	9' 5"	12' 2"	10' 8"	9' 0"
362S200-54	24	50	14' 9"	12' 11"	10' 11"	13' 5"	11' 9"	9' 11"	12' 5"	10' 11"	9' 2"	11' 9"	10' 3"	8' 8"	11' 2"	9' 9"	8' 2"	10' 8"	9' 4"	7' 10"
362S200-68	12	33	19' 11"	17' 5"	14' 8"	18' 1"	15' 10"	13' 4"	16' 10"	14' 8"	12' 5"	15' 10"	13' 10"	11' 8"	15' 0"	13' 1"	11' 1"	14' 4"	12' 7"	10' 7"
362S200-68	16	33	18' 1"	15' 10"	13' 4"	16' 5"	14' 4"	12' 1"	15' 3"	13' 4"	11' 3"	14' 4"	12' 7"	10' 7"	13' 8"	11' 11"	10' 1"	13' 1"	11' 5"	9' 7"
362S200-68	24	33	15' 10"	13' 10"	11' 8"	14' 4"	12' 7"	10' 7"	13' 4"	11' 8"	9' 10"	12' 7"	11' 0"	9' 3"	11' 11"	10' 5"	8' 9"	11' 3"	10' 0"	8' 5"
362S200-68	12	50	19' 11"	17' 5"	14' 8"	18' 1"	15' 10"	13' 4"	16' 10"	14' 8"	12' 5"	15' 10"	13' 10"	11' 8"	15' 0"	13' 1"	11' 1"	14' 4"	12' 7"	10' 7"
362S200-68	16	50	18' 1"	15' 10"	13' 4"	16' 5"	14' 4"	12' 1"	15' 3"	13' 4"	11' 3"	14' 4"	12' 7"	10' 7"	13' 8"	11' 11"	10' 1"	13' 1"	11' 5"	9' 7"
362S200-68	24	50	15' 10"	13' 10"	11' 8"	14' 4"	12' 7"	10' 7"	13' 4"	11' 8"	9' 10"	12' 7"	11' 0"	9' 3"	11' 11"	10' 5"	8' 9"	11' 5"	10' 0"	8' 5"
362S200-97	12	33	22' 0"	19' 3"	16' 3"	20' 0"	17' 6"	14' 9"	18' 7"	16' 3"	13' 8"	17' 6"	15' 3"	12' 11"	16' 7"	14' 6"	12' 3"	15' 11"	13' 11"	11' 8"
362S200-97	16	33	20' 0"	17' 6"	14' 9"	18' 2"	15' 11"	13' 5"	16' 11"	14' 9"	12' 5"	15' 11"	13' 11"	11' 8"	15' 1"	13' 2"	11' 1"	14' 5"	12' 7"	10' 8"
362S200-97	24	33	17' 6"	15' 3"	12' 11"	15' 11"	13' 11"	11' 8"	14' 9"	12' 11"	10' 10"	13' 11"	12' 1"	10' 3"	13' 2"	11' 6"	9' 9"	12' 6"	11' 0"	9' 3"
362S200-97	12	50	22' 0"	19' 3"	16' 3"	20' 0"	17' 6"	14' 9"	18' 7"	16' 3"	13' 8"	17' 6"	15' 3"	12' 11"	16' 7"	14' 6"	12' 3"	15' 11"	13' 11"	11' 8"
362S200-97	16	50	20' 0"	17' 6"	14' 9"	18' 2"	15' 11"	13' 5"	16' 11"	14' 9"	12' 5"	15' 11"	13' 11"	11' 8"	15' 1"	13' 2"	11' 1"	14' 5"	12' 7"	10' 8"
362S200-97	24	50	17' 6"	15' 3"	12' 11"	15' 11"	13' 11"	11' 8"	14' 9"	12' 11"	10' 10"	13' 11"	12' 1"	10' 3"	13' 2"	11' 6"	9' 9"	12' 7"	11' 0"	9' 3"
362S250-33	12	33	16' 6"	14' 5"	12' 2"	14' 7"	13' 2"	11' 1"	13' 0"	12' 2"	10' 3"	11' 11" e	11' 6" e	9' 8"	11' 0" e	10' 11" e	9' 2"	10' 4" e	10' 4" e	8' 9" e
362S250-33	16	33	14' 7"	13' 2"	11' 1"	12' 7" e	11' 11" e	10' 1"	11' 3" e	11' 1" e	9' 4"	10' 4" e	10' 4" e	8' 9" e	9' 6" e	9' 6" e	8' 4" e	8' 11" e	8' 11" e	8' 0" e
362S250-33	24	33	11' 11" e	11' 6" e	9' 8"	10' 4" e	10' 4" e	8' 9" e	9' 3" e	9' 3" e	8' 2" e	8' 5" e	8' 5" e	7' 8" e	7' 9" e	7' 9" e	7' 4" e	7' 3" e	7' 3" e	7' 0" e
362S250-43	12	33	18' 4"	16' 0"	13' 6"	16' 7"	14' 6"	12' 3"	15' 5"	13' 6"	11' 4"	14' 2"	12' 8"	10' 8"	13' 1"	12' 1"	10' 2"	12' 3"	11' 6"	9' 9"
362S250-43	16	33	16' 7"	14' 6"	12' 3"	15' 0"	13' 2"	11' 2"	13' 5"	12' 3"	10' 4"	12' 3"	11' 6"	9' 9"	11' 4"	10' 11"	9' 3"	10' 8" e	10' 6" e	8' 10"
362S250-43	24	33	14' 2"	12' 8"	10' 8"	12' 3"	11' 6"	9' 9"	11' 0"	10' 8"	9' 0"	10' 0" e	10' 0" e	8' 6"	9' 3" e	9' 3" e	8' 1" e	8' 8" e	8' 8" e	7' 9" e
362S250-54	12	33	19' 7"	17' 2"	14' 6"	17' 10"	15' 7"	13' 2"	16' 7"	14' 6"	12' 2"	15' 7"	13' 7"	11' 6"	14' 10"	12' 11"	10' 11"	13' 11"	12' 4"	10' 5"
362S250-54	16	33	17' 10"	15' 7"	13' 2"	16' 2"	14' 2"	11' 11"	15' 0"	13' 2"	11' 1"	13' 11"	12' 4"	10' 5"	12' 11"	11' 9"	9' 11"	12' 1"	11' 3"	9' 6"
362S250-54	24	33	15' 7"	13' 7"	11' 6"	13' 11"	12' 4"	10' 5"	12' 6"	11' 6"	9' 8"	11' 4"	10' 10"	9' 1"	10' 6"	10' 3"	8' 8"	9' 10"	9' 10"	8' 3"
362S250-54	12	50	19' 7"	17' 1"	14' 5"	17' 9"	15' 6"	13' 1"	16' 6"	14' 5"	12' 2"	15' 6"	13' 7"	11' 5"	14' 9"	12' 11"	10' 10"	14' 1"	12' 4"	10' 5"
362S250-54	16	50	17' 9"	15' 6"	13' 1"	16' 2"	14' 1"	11' 11"	15' 0"	13' 1"	11' 1"	14' 1"	12' 4"	10' 5"	13' 5"	11' 8"	9' 10"	12' 10"	11' 2"	9' 5"
362S250-54	24	50	15' 6"	13' 7"	11' 5"	14' 1"	12' 4"	10' 5"	13' 1"	11' 5"	9' 8"	12' 4"	10' 9"	9' 1"	11' 8"	10' 3"	8' 7"	11' 2"	9' 9"	8' 3"
362S250-68	12	33	21' 0"	18' 5"	15' 6"	19' 1"	16' 8"	14' 1"	17' 9"	15' 6"	13' 1"	16' 8"	14' 7"	12' 4"	15' 10"	13' 10"	11' 8"	15' 2"	13' 3"	11' 2"
362S250-68	16	33	19' 1"	16' 8"	14' 1"	17' 4"	15' 2"	12' 10"	16' 1"	14' 1"	11' 11"	15' 2"	13' 3"	11' 2"	14' 5"	12' 7"	10' 7"	13' 9"	12' 0"	10' 2"
362S250-68	24	33	16' 8"	14' 7"	12' 4"	15' 2"	13' 3"	11' 2"	14' 1"	12' 4"	10' 5"	13' 3"	11' 7"	9' 9"	12' 5"	11' 0"	9' 3"	11' 8"	10' 6"	8' 10"
362S250-68	12	50	21' 0"	18' 5"	15' 6"	19' 1"	16' 8"	14' 1"	17' 9"	15' 6"	13' 1"	16' 8"	14' 7"	12' 4"	15' 10"	13' 10"	11' 8"	15' 2"	13' 3"	11' 2"
362S250-68	16	50	19' 1"	16' 8"	14' 1"	17' 4"	15' 2"	12' 10"	16' 1"	14' 1"	11' 11"	15' 2"	13' 3"	11' 2"	14' 5"	12' 7"	10' 7"	13' 9"	12' 0"	10' 2"
362S250-68	24	50	16' 8"	14' 7"	12' 4"	15' 2"	13' 3"	11' 2"	14' 1"	12' 4"	10' 5"	13' 3"	11' 7"	9' 9"	12' 5"	11' 0"	9' 3"	11' 8"	10' 6"	8' 10"
362S250-97	12	33	23' 4"	20' 4"	17' 2"	21' 2"	18' 6"	15' 7"	19' 8"	17' 2"	14' 6"	18' 6"	16' 2"	13' 8"	17' 7"	15' 4"	12' 11"	16' 10"	14' 8"	12' 5"
362S250-97	16	33	21' 2"	18' 6"	15' 7"	19' 3"	16' 10"	14' 2"	17' 10"	15' 7"	13' 2"	16' 10"	14' 8"	12' 5"	16' 0"	13' 11"	11' 9"	15' 3"	13' 4"	11' 3"
362S250-97	24	33	18' 6"	16' 2"	13' 8"	16' 10"	14' 8"	12' 5"	15' 7"	13' 8"	11' 6"	14' 8"	12' 10"	10' 10"	13' 11"	12' 2"	10' 3"	13' 4"	11' 8"	9' 10"
362S250-97	12	50	23' 4"	20' 4"	17' 2"	21' 2"	18' 6"	15' 7"	19' 8"	17' 2"	14' 6"	18' 6"	16' 2"	13' 8"	17' 7"	15' 4"	12' 11"	16' 10"	14' 8"	12' 5"
362S250-97	16	50	21' 2"	18' 6"	15' 7"	19' 3"	16' 10"	14' 2"	17' 10"	15' 7"	13' 2"	16' 10"	14' 8"	12' 5"	16' 0"	13' 11"	11' 9"	15' 3"	13' 4"	11' 3"
362S250-97	24	50	18' 6"	16' 2"	13' 8"	16' 10"	14' 8"	12' 5"	15' 7"	13' 8"	11' 6"	14' 8"	12' 10"	10' 10"	13' 11"	12' 2"	10' 3"	13' 4"	11' 8"	9' 10"
362S300-33	12	33	17' 0"	14' 11"	12' 7"	14' 8"	13' 6"	11' 5"	13' 2"	12' 7"	10' 7"	12' 0" e	11' 10" e	10' 0"	11' 1" e	11' 1" e	9' 6" e	10' 5" e	10' 5" e	9' 1" e
362S300-33	16	33	14' 8"	13' 6"	11' 5"	12' 9" e	12' 4"	10' 4"	11' 5" e	11' 5" e	9' 8"	10' 5" e	10' 5" e	9' 1" e	9' 7" e	9' 7" e	8' 7" e	9' 0" e	9' 0" e	8' 3" e
362S300-33	24	33	12' 0" e	11' 0" e	10' 0"	10' 5" e	10' 5" e	9' 1" e	9' 4" e	9' 4" e	8' 5" e	8' 6" e	8' 6" e	7' 11" e	7' 10" e	7' 10" e	7' 6" e	7' 4" e	7' 4" e	7' 2" e
362S300-43	12	33	18' 11"	16' 7"	13' 11"	17' 3"	15' 0"	12' 8"	15' 7"	13' 11"	11' 9"	14' 2"	13' 2"	11' 1"	13' 2"	12' 6"	10' 6"	12' 4"	11' 11"	10' 1"
362S300-43	16	33	17' 3"	15' 0"	12' 8"	15' 1"	13' 8"	11' 6"	13' 6"	12' 8"	10' 8"	12' 4"	11' 11"	10' 1"	11' 5"	11' 4"	9' 7"	10' 8" e	10' 8" e	9' 2"
362S300-43	24	33	14' 2"	13' 2"	11' 1"	12' 4"	11' 11"	10' 1"	11' 0"	11' 0"	9' 4"	10' 1" e	10' 1" e	8' 10"	9' 4" e	9' 4" e	8' 4" e	8' 8" e	8' 8" e	8' 0" e
362S300-54	12	33	20' 6"	17' 11"	15' 1"	18' 7"	16' 3"	13' 9"	17' 3"	15' 1"	12' 9"	16' 3"	14' 3"	12' 0"	15' 1"	13' 6"	11' 5"	14' 2"	12' 11"	10' 11"
362S300-54	16	33	18' 7"	16' 3"	13' 9"	16' 11"	14' 9"	12' 6"	15' 6"	13' 9"	11' 7"	14' 2"	12' 11"	10' 11"	13' 1"	12' 3"	10' 4"	12' 3"	11' 9"	9' 11"
362S300-54	24	33	16' 3"	14' 3"	12' 0"	14' 2"	12' 11"	10' 11"	12' 8"	12' 0"	10' 1"	11' 7"	11' 3"	9' 6"	10' 8"	10' 8"	9' 0"	10' 0"	10' 0"	8' 8"
362S300-54	12	50	20' 1"	17' 6"	14' 9"	18' 3"	15' 11"	13' 5"	16' 11"	14' 9"	12' 6"	15' 11"	13' 11"	11' 9"	15' 2"	13' 3"	11' 2"	14' 6"	12' 8"	10' 8"
362S300-54	16	50	18' 3"	15' 11"	13' 5"	16' 7"	14' 6"	12' 2"	15' 5"	13' 5"	11' 4"	14' 6"	12' 8"	10' 8"	13' 9"	12' 0"	10' 2"	13' 2"	11' 6"	9' 8"
362S300-54	24	50	15' 11"	13' 11"	11' 9"	14' 6"	12' 8"	10' 8"	13' 5"	11' 9"	9' 11"	12' 8"	11' 1"	9' 4"	12' 0"	10' 6"	8' 10"	11' 6"	10' 0"	8' 6"
362S300-68	12	33	22' 0"	19' 3"	16' 3"	20' 0"	17' 6"	14' 9"	18' 7"	16' 3"	13' 8"	17' 6"	15' 3"	12' 11"	16' 7"	14				

Limiting Wall Heights - Curtain Wall/Single Span



Stud Member	Spacing, in, oc	Fy, ksi	15 psf			20 psf			25 psf			30 psf			35 psf			40 psf		
			L/240	L/360	L/600	L/240	L/360	L/600	L/240	L/360	L/600	L/240	L/360	L/600	L/240	L/360	L/600	L/240	L/360	L/600
400S137-33	12	33	15' 1"	13' 7"	11' 6"	13' 1"	12' 4"	10' 5"	11' 8"	11' 6"	9' 8"	10' 8"	10' 8"	9' 1"	9' 10" e	9' 10" e	8' 8"	9' 3" e	9' 3" e	8' 3" e
400S137-33	16	33	13' 1"	12' 4"	10' 5"	11' 4"	11' 3"	9' 6"	10' 1" e	10' 1" e	8' 9"	9' 3" e	9' 3" e	8' 3" e	8' 7" e	8' 7" e	7' 10" e	8' 0" e	8' 0" e	7' 6" e
400S137-33	24	33	10' 8"	10' 8"	9' 1"	9' 3" e	9' 3" e	8' 3" e	8' 3" e	8' 3" e	7' 8" e	7' 6" e	7' 6" e	7' 3" e	7' 0" e	7' 0" e	6' 10" e	6' 6" e	6' 6" e	6' 6" e
400S137-43	12	33	16' 11"	14' 9"	12' 6"	15' 4"	13' 5"	11' 4"	13' 9"	12' 6"	10' 6"	12' 7"	11' 9"	9' 11"	11' 7"	11' 2"	9' 5"	10' 10"	10' 8"	9' 0"
400S137-43	16	33	15' 4"	13' 5"	11' 4"	13' 4"	12' 2"	10' 4"	11' 11"	11' 4"	9' 7"	10' 10"	10' 8"	9' 0"	10' 1"	10' 1"	8' 6"	9' 5"	9' 5"	8' 2"
400S137-43	24	33	12' 7"	11' 9"	9' 11"	10' 10"	10' 8"	9' 0"	10' 9"	9' 9"	8' 4"	8' 11"	8' 11"	7' 10"	8' 3" e	8' 3" e	7' 6"	7' 8" e	7' 8" e	7' 2" e
400S137-54	12	33	18' 1"	15' 10"	13' 4"	16' 6"	14' 5"	12' 2"	15' 3"	13' 4"	11' 3"	14' 1"	12' 7"	10' 7"	13' 1"	11' 11"	10' 1"	12' 3"	11' 5"	9' 8"
400S137-54	16	33	16' 6"	14' 5"	12' 2"	15' 0"	13' 1"	11' 0"	13' 5"	12' 2"	10' 3"	12' 3"	11' 5"	9' 8"	11' 4"	10' 10"	9' 2"	10' 7"	10' 4"	8' 9"
400S137-54	24	33	14' 1"	12' 7"	10' 7"	12' 3"	11' 5"	9' 8"	10' 11"	10' 7"	8' 11"	10' 0"	10' 0"	8' 5"	9' 3"	9' 3"	8' 0"	8' 8"	8' 8"	7' 8"
400S137-54	12	50	18' 1"	15' 10"	13' 4"	16' 6"	14' 5"	12' 2"	15' 3"	13' 4"	11' 3"	14' 5"	12' 7"	10' 7"	13' 8"	11' 11"	10' 1"	13' 1"	11' 5"	9' 8"
400S137-54	16	50	16' 6"	14' 5"	12' 2"	15' 0"	13' 1"	11' 0"	13' 5"	12' 2"	10' 3"	13' 1"	11' 5"	9' 8"	12' 5"	10' 10"	9' 2"	11' 10"	10' 4"	8' 9"
400S137-54	24	50	14' 5"	12' 7"	10' 7"	13' 1"	11' 5"	9' 8"	12' 2"	10' 7"	8' 11"	11' 5"	10' 0"	8' 5"	10' 10"	9' 6"	8' 0"	10' 4"	9' 1"	7' 8"
400S137-68	12	33	19' 5"	16' 11"	14' 3"	17' 7"	15' 5"	13' 0"	16' 4"	14' 3"	12' 0"	15' 5"	13' 5"	11' 4"	14' 7"	12' 9"	10' 9"	13' 8"	12' 2"	10' 4"
400S137-68	16	33	17' 7"	15' 5"	13' 0"	16' 0"	14' 0"	11' 9"	14' 10"	13' 0"	10' 11"	13' 8"	12' 2"	10' 4"	12' 8"	11' 7"	9' 9"	11' 10"	11' 1"	9' 4"
400S137-68	24	33	15' 5"	13' 5"	11' 4"	13' 8"	12' 2"	10' 4"	12' 3"	11' 4"	9' 7"	11' 2"	10' 8"	9' 0"	10' 4"	10' 2"	8' 7"	9' 8"	9' 8"	8' 2"
400S137-68	12	50	19' 5"	16' 11"	14' 3"	17' 7"	15' 5"	13' 0"	16' 4"	14' 3"	12' 0"	15' 5"	13' 5"	11' 4"	14' 7"	12' 9"	10' 9"	14' 0"	12' 2"	10' 4"
400S137-68	16	50	17' 7"	15' 5"	13' 0"	16' 0"	14' 0"	11' 9"	14' 10"	13' 0"	10' 11"	14' 0"	12' 2"	10' 4"	13' 3"	11' 7"	9' 9"	12' 8"	11' 1"	9' 4"
400S137-68	24	50	15' 5"	13' 5"	11' 4"	14' 0"	12' 2"	10' 4"	13' 0"	11' 4"	9' 7"	12' 2"	10' 8"	9' 0"	11' 7"	10' 2"	8' 7"	11' 1"	9' 8"	8' 2"
400S162-33	12	33	16' 2"	14' 3"	12' 0"	14' 0"	12' 11"	10' 11"	12' 7"	12' 0"	10' 1"	11' 5" e	11' 4" e	9' 6"	10' 7" e	10' 7" e	9' 1" e	9' 11" e	9' 11" e	8' 8" e
400S162-33	16	33	14' 0"	12' 11"	10' 11"	12' 2"	11' 9"	9' 11"	10' 10" e	10' 10" e	9' 2"	9' 11" e	9' 11" e	8' 8" e	9' 2" e	9' 2" e	8' 3" e	8' 7" e	8' 7" e	7' 10" e
400S162-33	24	33	11' 5" e	11' 4" e	9' 6"	9' 11" e	9' 11" e	8' 8" e	8' 10" e	8' 10" e	8' 0" e	8' 1" e	8' 1" e	7' 7" e	7' 6" e	7' 6" e	7' 2" e	7' 0" e	7' 0" e	6' 10" e
400S162-43	12	33	17' 9"	15' 6"	13' 1"	16' 1"	14' 1"	11' 10"	14' 10"	13' 1"	11' 0"	13' 6"	12' 3"	10' 4"	12' 6"	11' 8"	9' 10"	11' 9"	11' 2"	9' 5"
400S162-43	16	33	16' 1"	14' 1"	11' 10"	14' 4"	12' 9"	10' 9"	12' 10"	11' 10"	10' 0"	11' 9"	11' 2"	9' 5"	10' 10"	10' 7"	8' 11"	10' 2"	10' 2"	8' 7"
400S162-43	24	33	13' 6"	12' 3"	10' 4"	11' 9"	11' 2"	9' 5"	10' 6"	10' 4"	8' 9"	9' 7" e	9' 7" e	8' 3"	8' 10" e	8' 10" e	7' 10"	8' 3" e	8' 3" e	7' 6" e
400S162-54	12	33	19' 0"	16' 7"	14' 0"	17' 3"	15' 1"	12' 9"	16' 0"	14' 0"	11' 10"	15' 1"	13' 2"	11' 1"	14' 1"	12' 6"	10' 7"	13' 2"	12' 0"	10' 1"
400S162-54	16	33	17' 3"	15' 1"	12' 9"	15' 8"	13' 8"	11' 7"	14' 5"	12' 9"	10' 9"	13' 2"	12' 0"	10' 1"	12' 2"	11' 4"	9' 7"	11' 5"	10' 10"	9' 2"
400S162-54	24	33	15' 1"	13' 2"	11' 1"	13' 2"	12' 0"	10' 1"	11' 9"	11' 1"	9' 4"	10' 9"	10' 5"	8' 10"	9' 11"	9' 11"	8' 5"	9' 4"	9' 4"	8' 0"
400S162-54	12	50	19' 0"	16' 7"	14' 0"	17' 3"	15' 1"	12' 9"	16' 0"	14' 0"	11' 10"	15' 1"	13' 2"	11' 1"	14' 4"	12' 6"	10' 7"	13' 8"	12' 0"	10' 1"
400S162-54	16	50	17' 3"	15' 1"	12' 9"	15' 8"	13' 8"	11' 7"	14' 7"	12' 9"	10' 9"	13' 8"	12' 0"	10' 1"	13' 0"	11' 4"	9' 7"	12' 5"	10' 10"	9' 2"
400S162-54	24	50	15' 1"	13' 2"	11' 1"	13' 8"	12' 0"	10' 1"	12' 9"	11' 1"	9' 4"	12' 0"	10' 5"	8' 10"	11' 4"	9' 11"	8' 5"	10' 10"	9' 6"	8' 0"
400S162-68	12	33	20' 4"	17' 9"	15' 0"	18' 6"	16' 2"	13' 7"	17' 2"	15' 0"	12' 8"	16' 2"	14' 1"	11' 11"	15' 4"	13' 5"	11' 4"	14' 8"	12' 10"	10' 10"
400S162-68	16	33	18' 6"	16' 2"	13' 7"	16' 9"	14' 8"	12' 4"	15' 7"	13' 7"	11' 6"	14' 8"	12' 10"	10' 10"	13' 8"	12' 2"	10' 3"	12' 9"	11' 8"	9' 10"
400S162-68	24	33	16' 2"	14' 1"	11' 11"	14' 8"	12' 10"	10' 10"	13' 7"	11' 11"	10' 0"	12' 0"	11' 2"	9' 5"	11' 2"	10' 8"	9' 0"	10' 5"	10' 2"	8' 7"
400S162-68	12	50	20' 4"	17' 9"	15' 0"	18' 6"	16' 2"	13' 7"	17' 2"	15' 0"	12' 8"	16' 2"	14' 1"	11' 11"	15' 4"	13' 5"	11' 4"	14' 8"	12' 10"	10' 10"
400S162-68	16	50	18' 6"	16' 2"	13' 7"	16' 9"	14' 8"	12' 4"	15' 7"	13' 7"	11' 6"	14' 8"	12' 10"	10' 10"	13' 11"	12' 2"	10' 3"	13' 4"	11' 8"	9' 10"
400S162-68	24	50	16' 2"	14' 1"	11' 11"	14' 8"	12' 10"	10' 10"	13' 7"	11' 11"	10' 0"	12' 10"	11' 2"	9' 5"	12' 2"	10' 8"	9' 0"	11' 8"	10' 2"	8' 7"
400S162-97	12	33	22' 5"	19' 7"	16' 7"	20' 5"	17' 10"	15' 0"	18' 11"	16' 7"	13' 11"	17' 10"	15' 7"	13' 2"	16' 11"	14' 9"	12' 6"	16' 2"	14' 2"	11' 11"
400S162-97	16	33	20' 5"	17' 10"	15' 0"	18' 6"	16' 2"	13' 8"	17' 2"	15' 0"	12' 8"	16' 2"	14' 2"	11' 11"	15' 5"	13' 5"	11' 4"	14' 9"	12' 10"	10' 10"
400S162-97	24	33	17' 10"	15' 7"	13' 2"	16' 2"	14' 2"	11' 11"	15' 0"	13' 2"	11' 1"	14' 1"	12' 4"	10' 5"	13' 1"	11' 9"	9' 11"	12' 3"	11' 3"	9' 6"
400S162-97	12	50	22' 5"	19' 7"	16' 7"	20' 5"	17' 10"	15' 0"	18' 11"	16' 7"	13' 11"	17' 10"	15' 7"	13' 2"	16' 11"	14' 9"	12' 6"	16' 2"	14' 2"	11' 11"
400S162-97	16	50	20' 5"	17' 10"	15' 0"	18' 6"	16' 2"	13' 8"	17' 2"	15' 0"	12' 8"	16' 2"	14' 2"	11' 11"	15' 5"	13' 5"	11' 4"	14' 9"	12' 10"	10' 10"
400S162-97	24	50	17' 10"	15' 7"	13' 2"	16' 2"	14' 2"	11' 11"	15' 0"	13' 2"	11' 1"	14' 1"	12' 4"	10' 5"	13' 1"	11' 9"	9' 11"	12' 10"	11' 3"	9' 6"
400S200-33	12	33	17' 0"	15' 0"	12' 7"	14' 9"	13' 7"	11' 6"	13' 2" e	12' 7"	10' 8"	12' 0" e	11' 10" e	10' 0"	11' 1" e	11' 1" e	9' 6" e	10' 5" e	10' 5" e	9' 1" e
400S200-33	16	33	14' 9"	13' 7"	11' 6"	12' 9" e	12' 4" e	10' 5"	11' 5" e	11' 5" e	9' 8"	10' 5" e	10' 5" e	9' 1" e	9' 8" e	9' 8" e	8' 8" e	9' 0" e	9' 0" e	8' 3" e
400S200-33	24	33	12' 0" e	11' 10" e	10' 0"	10' 5" e	10' 5" e	9' 1" e	9' 4" e	9' 4" e	8' 5" e	8' 6" e	8' 6" e	7' 11" e	7' 10" e	7' 10" e	7' 7" e	7' 4" e	7' 4" e	7' 3" e
400S200-43	12	33	18' 8"	16' 4"	13' 9"	17' 0"	14' 10"	12' 6"	15' 9"	13' 9"	11' 7"	14' 6"	13' 0"	10' 11"	13' 5"	12' 4"	10' 5"	12' 7"	11' 9"	9' 11"
400S200-43	16	33	17' 0"	14' 10"	12' 6"	15' 4"	13' 6"	11' 4"	13' 9"	12' 6"	10' 7"	12' 7"	11' 9"	9' 11"	11' 7"	11' 2"	9' 5"	10' 10" e	10' 8" e	9' 0"
400S200-43	24	33	14' 6"	13' 0"	10' 11"	12' 7"	11' 9"	9' 11"	11' 3" e	10' 11"	9' 3"	10' 3" e	10' 3" e	8' 8"	9' 6" e	9' 6" e	8' 3" e	8' 11" e	8' 11" e	7' 11" e
400S200-54	12	33	20' 1"	17' 6"	14' 9"	18' 3"	15' 11"	13' 5"	16' 11"	14' 9"	12' 6"	15' 11"	13' 11"	11' 9"	15' 1"	13' 3"	11' 2"	14' 4"	12' 8"	10' 8"
400S200-54	16	33	18' 3"	15' 11"	13' 5"	16' 7"	14' 6"	12' 2"	15' 4"	13' 5"	11' 4"	14' 4"	12' 8"	10' 8"	13' 3"	12' 0"	10' 1"	12' 5"	11' 6"	9' 8"
400S200-54	24	33	15' 11"	13' 11"	11' 9"	14' 4"	12' 8"	10' 8"	12' 10"	11' 9"	9' 11"	11' 8"	11' 0"	9' 4"	10' 10"	10' 6"	8' 10"	10' 2"	10' 0"	8' 5"
400S200-54	12	50	20' 1"	17' 6"	14' 9"	18' 3"	15' 11"	13' 5"	16' 11"	14' 9"	12' 6"	15' 11"	13' 11"	11' 9"	15' 1"	13' 3"	11' 2"	14' 6"	12' 8"	10' 8"
400S200-54	16	50	18' 3"	15' 11"	13' 5"	16' 7"	14' 6"	12' 2"	15' 4"	13' 5"	11' 4"	14' 6"	12' 8"	10' 8"	13' 9"	12' 0"	10' 1"	13' 2"	11' 6"	9' 8"
400S200-54	24	50	15' 11"	13' 11"	11' 9"	14' 6"	12' 8"	10' 8"	13' 5"	11' 9"	9' 11"	12' 8"	11' 0"	9' 4"	12' 0"	10' 6"	8' 10"	11' 6"	10' 0"	8' 5"
400S200-68	12	33	21' 6"	18' 9"	15' 10"	19' 6"	17' 1"	14' 5"	18' 1"	15' 10"	13' 4"	17' 1"	14' 11"	12' 7"	16' 2"	14' 2"	11'			

Limiting Wall Heights - Curtain Wall/Single Span



Stud Member	Spacing, in, oc	Fy, ksi	15 psf			20 psf			25 psf			30 psf			35 psf			40 psf		
			L/240	L/360	L/600	L/240	L/360	L/600	L/240	L/360	L/600	L/240	L/360	L/600	L/240	L/360	L/600	L/240	L/360	L/600
400S250-33	12	33	17' 10"	15' 7"	13' 1"	15' 5"	14' 2"	11' 11"	13'10"	13' 1" e	11' 1"	12' 7" e	12' 4" e	10' 5"	11' 8" e	11' 8" e	9' 11" e	10'11" e	10'11" e	9' 6" e
400S250-33	16	33	15' 5"	14' 2"	11' 11"	13' 4" e	12'10" e	10' 10"	11'11" e	11'11" e	10' 1" e	10' 11" e	10'11" e	9' 6" e	10' 1" e	10' 1" e	9' 0" e	9' 5" e	9' 5" e	8' 7" e
400S250-33	24	33	12' 7" e	12' 4" e	10' 5"	10'11" e	10'11" e	9' 6" e	9' 9" e	9' 9" e	8' 9" e	8' 11" e	8' 11" e	8' 3" e	8' 3" e	8' 3" e	7' 10" e	7' 9" e	7' 9" e	7' 6" e
400S250-43	12	33	19' 8"	17' 2"	14' 6"	17' 11"	15' 8"	13' 2"	16' 6"	14' 6"	12' 3"	15' 0"	13' 8"	11' 6"	13' 11"	13' 0"	10' 11"	13' 0"	12' 5"	10' 6"
400S250-43	16	33	17' 11"	15' 8"	13' 2"	15' 11"	14' 2"	12' 0"	14' 3"	13' 2"	11' 1"	13' 0"	12' 5"	10' 6"	12' 1" e	11' 9" e	9' 11"	11' 3" e	11' 3" e	9' 6"
400S250-43	24	33	15' 0"	13' 8"	11' 6"	13' 0"	12' 5"	10' 6"	11' 8" e	11' 6" e	9' 9"	10' 8" e	10' 8" e	9' 2" e	9' 10" e	9' 10" e	8' 8" e	9' 2" e	9' 2" e	8' 4" e
400S250-54	12	33	21' 2"	18' 6"	15' 7"	19' 2"	16' 9"	14' 2"	17' 10"	15' 7"	13' 2"	16' 9"	14' 8"	12' 4"	15' 10"	13' 11"	11' 9"	14' 10"	13' 4"	11' 3"
400S250-54	16	33	19' 2"	16' 9"	14' 2"	17' 5"	15' 3"	12' 10"	16' 2"	14' 2"	11' 11"	14' 10"	13' 4"	11' 3"	13' 8"	12' 8"	10' 8"	12' 10"	12' 1"	10' 2"
400S250-54	24	33	16' 9"	14' 8"	12' 4"	14' 10"	13' 4"	11' 3"	13' 3"	12' 4"	10' 5"	12' 1"	11' 8"	9' 10"	11' 2"	11' 1"	9' 4"	10' 6" e	10' 6" e	8' 11"
400S250-54	12	50	21' 1"	18' 5"	15' 6"	19' 2"	16' 9"	14' 1"	17' 9"	15' 6"	13' 1"	16' 9"	14' 7"	12' 4"	15' 11"	13' 10"	11' 8"	15' 2"	13' 3"	11' 2"
400S250-54	16	50	19' 2"	16' 9"	14' 1"	17' 5"	15' 2"	12' 10"	16' 2"	14' 1"	11' 11"	15' 2"	13' 3"	11' 2"	14' 5"	12' 7"	10' 8"	13' 10"	12' 1"	10' 2"
400S250-54	24	50	16' 9"	14' 7"	12' 4"	15' 2"	13' 3"	11' 2"	14' 1"	12' 4"	10' 5"	13' 3"	11' 7"	9' 9"	12' 7"	11' 0"	9' 3"	12' 1"	10' 6"	8' 11"
400S250-68	12	33	22' 8"	19' 10"	16' 8"	20' 7"	18' 0"	15' 2"	19' 1"	16' 8"	14' 1"	18' 0"	15' 9"	13' 3"	17' 1"	14' 11"	12' 7"	16' 4"	14' 3"	12' 1"
400S250-68	16	33	20' 7"	18' 0"	15' 2"	18' 9"	16' 4"	13' 9"	17' 4"	15' 2"	12' 10"	16' 4"	14' 3"	12' 1"	15' 6"	13' 7"	11' 5"	14' 10"	13' 0"	10' 11"
400S250-68	24	33	18' 0"	15' 9"	13' 3"	16' 4"	14' 3"	12' 1"	16' 4"	14' 3"	12' 1"	14' 3"	12' 6"	10' 6"	13' 3"	11' 10"	10' 5"	12' 5"	11' 4"	9' 7"
400S250-68	12	50	22' 8"	19' 10"	16' 8"	20' 7"	18' 0"	15' 2"	19' 1"	16' 8"	14' 1"	18' 0"	15' 9"	13' 3"	17' 1"	14' 11"	12' 7"	16' 4"	14' 3"	12' 1"
400S250-68	16	50	20' 7"	18' 0"	15' 2"	18' 9"	16' 4"	13' 9"	17' 4"	15' 2"	12' 10"	16' 4"	14' 3"	12' 1"	15' 6"	13' 7"	11' 5"	14' 10"	13' 0"	10' 11"
400S250-68	24	50	18' 0"	15' 9"	13' 3"	16' 4"	14' 3"	12' 1"	15' 2"	13' 3"	11' 2"	14' 3"	12' 6"	10' 6"	13' 3"	11' 10"	10' 5"	12' 5"	11' 4"	9' 7"
400S250-97	12	33	25' 2"	21' 11"	18' 6"	22' 10"	19' 11"	16' 10"	21' 2"	18' 6"	15' 7"	19' 11"	17' 5"	14' 8"	18' 11"	16' 7"	14' 0"	18' 1"	15' 10"	13' 4"
400S250-97	16	33	22' 10"	19' 11"	16' 10"	20' 9"	18' 1"	15' 3"	19' 3"	16' 10"	14' 2"	18' 1"	15' 10"	13' 4"	17' 3"	15' 0"	12' 8"	16' 6"	14' 5"	12' 2"
400S250-97	24	33	19' 11"	17' 5"	14' 8"	18' 1"	15' 10"	13' 4"	16' 10"	14' 8"	12' 5"	15' 10"	13' 10"	11' 8"	15' 0"	13' 2"	11' 1"	14' 5"	12' 7"	10' 7"
400S250-97	12	50	25' 2"	21' 11"	18' 6"	22' 10"	19' 11"	16' 10"	21' 2"	18' 6"	15' 7"	19' 11"	17' 5"	14' 8"	18' 11"	16' 7"	14' 0"	18' 1"	15' 10"	13' 4"
400S250-97	16	50	22' 10"	19' 11"	16' 10"	20' 9"	18' 1"	15' 3"	19' 3"	16' 10"	14' 2"	18' 1"	15' 10"	13' 4"	17' 3"	15' 0"	12' 8"	16' 6"	14' 5"	12' 2"
400S250-97	24	50	19' 11"	17' 5"	14' 8"	18' 1"	15' 10"	13' 4"	16' 10"	14' 8"	12' 5"	15' 10"	13' 10"	11' 8"	15' 0"	13' 2"	11' 1"	14' 5"	12' 7"	10' 7"
400S300-33	12	33	17' 11"	16' 0"	13' 6"	15' 6"	14' 7"	12' 3"	13'11" e	13' 6" e	11' 5"	12' 8" e	12' 8" e	10' 9"	11' 9" e	11' 9" e	10' 2" e	11' 0" e	11' 0" e	9' 9" e
400S300-33	16	33	15' 6"	14' 7"	12' 3"	13' 5" e	13' 3" e	11' 2"	12' 0" e	12' 0" e	10' 4" e	11' 0" e	11' 0" e	9' 9" e	10' 2" e	10' 2" e	9' 3" e	9' 6" e	9' 6" e	8' 10" e
400S300-33	24	33	12' 8" e	12' 8" e	10' 9"	11' 0" e	11' 0" e	9' 9" e	9' 10" e	9' 10" e	9' 1" e	9' 0" e	9' 0" e	8' 6" e	8' 4" e	8' 4" e	8' 1" e	7' 9" e	7' 9" e	7' 9" e
400S300-43	12	33	20' 4"	17' 10"	15' 0"	18' 5"	16' 2"	13' 8"	16' 5"	15' 0"	12' 8"	15' 0"	14' 2"	11' 11"	13' 11"	13' 5"	11' 4"	13' 0"	12' 10"	10' 10"
400S300-43	16	33	18' 5"	16' 2"	13' 8"	15' 11"	14' 8"	12' 5"	14' 3"	13' 8"	11' 6"	13' 0"	12' 10"	10' 10"	12' 0" e	12' 0" e	10' 3"	11' 3" e	11' 3" e	9' 10"
400S300-43	24	33	15' 0"	14' 2"	11' 11"	13' 0"	12' 10"	10' 10"	11' 8" e	11' 8" e	10' 1"	10' 7" e	10' 7" e	9' 5" e	9' 10" e	9' 10" e	9' 0" e	9' 2" e	9' 2" e	8' 7" e
400S300-54	12	33	22' 1"	19' 3"	16' 3"	20' 0"	17' 6"	14' 9"	18' 7"	16' 3"	13' 8"	17' 3"	15' 3"	12' 11"	16' 0"	14' 6"	12' 3"	15' 0"	13' 11"	11' 9"
400S300-54	16	33	20' 0"	17' 6"	14' 9"	18' 2"	15' 11"	13' 5"	16' 5"	14' 9"	12' 5"	15' 0"	13' 11"	11' 9"	13' 10"	13' 2"	11' 2"	13' 0"	12' 7"	10' 8"
400S300-54	24	33	17' 3"	15' 3"	12' 11"	15' 0"	13' 11"	11' 9"	13' 5"	12' 11"	10' 11"	12' 3"	12' 2"	10' 3"	11' 4"	11' 4"	9' 9"	10' 7" e	10' 7" e	9' 4"
400S300-54	12	50	21' 7"	18' 10"	15' 11"	19' 7"	17' 2"	14' 5"	18' 3"	15' 11"	13' 5"	17' 2"	15' 0"	12' 8"	16' 3"	14' 3"	12' 0"	15' 7"	13' 7"	11' 6"
400S300-54	16	50	19' 7"	17' 2"	14' 5"	17' 10"	15' 7"	13' 2"	16' 7"	14' 5"	12' 2"	15' 7"	13' 7"	11' 6"	14' 9"	12' 11"	10' 11"	14' 2"	12' 4"	10' 5"
400S300-54	24	50	17' 2"	15' 0"	12' 8"	15' 7"	13' 7"	11' 6"	14' 5"	12' 8"	10' 8"	13' 7"	11' 11"	10' 0"	12' 11"	11' 3"	9' 6"	12' 2"	10' 10"	9' 1"
400S300-68	12	33	23' 9"	20' 9"	17' 6"	21' 7"	18' 10"	15' 11"	20' 0"	17' 6"	14' 9"	18' 10"	16' 5"	13' 10"	17' 11"	15' 7"	13' 2"	17' 1"	14' 11"	12' 7"
400S300-68	16	33	21' 7"	18' 10"	15' 11"	19' 7"	17' 1"	14' 5"	18' 2"	15' 11"	13' 5"	17' 1"	14' 11"	12' 7"	16' 1"	14' 2"	12' 0"	15' 0"	13' 7"	11' 5"
400S300-68	24	33	18' 10"	16' 5"	13' 10"	17' 1"	14' 11"	12' 7"	15' 6"	13' 10"	11' 8"	14' 2"	13' 1"	11' 0"	13' 1"	12' 5"	10' 6"	12' 3"	11' 10"	10' 0"
400S300-68	12	50	23' 7"	20' 7"	17' 4"	21' 5"	18' 8"	15' 9"	19' 10"	17' 4"	14' 8"	18' 8"	16' 4"	13' 9"	17' 9"	15' 6"	13' 1"	17' 0"	14' 10"	12' 6"
400S300-68	16	50	21' 5"	18' 8"	15' 9"	19' 5"	17' 0"	14' 4"	18' 1"	15' 9"	13' 4"	17' 0"	14' 10"	12' 6"	16' 2"	14' 1"	11' 11"	15' 5"	13' 6"	11' 4"
400S300-68	24	50	18' 8"	16' 4"	13' 9"	17' 0"	14' 10"	12' 6"	15' 9"	13' 9"	11' 7"	14' 10"	13' 0"	10' 11"	14' 1"	12' 4"	10' 5"	13' 6"	11' 9"	9' 11"
400S300-97	12	33	26' 4"	23' 0"	19' 5"	23' 11"	20' 11"	17' 8"	22' 3"	19' 5"	16' 4"	20' 11"	18' 3"	15' 5"	19' 10"	17' 4"	14' 8"	19' 0"	16' 7"	14' 0"
400S300-97	16	33	23' 11"	20' 11"	17' 8"	21' 9"	19' 0"	16' 0"	20' 2"	17' 8"	14' 10"	19' 0"	16' 7"	14' 0"	18' 1"	15' 9"	13' 4"	17' 3"	15' 1"	12' 9"
400S300-97	24	33	20' 11"	18' 3"	15' 5"	19' 0"	16' 7"	14' 0"	17' 8"	15' 5"	13' 0"	16' 7"	14' 6"	12' 3"	15' 9"	13' 9"	11' 7"	15' 1"	13' 2"	11' 1"
400S300-97	12	50	26' 3"	22' 11"	19' 4"	23' 10"	20' 10"	17' 7"	22' 2"	19' 4"	16' 4"	20' 10"	18' 2"	15' 4"	19' 9"	17' 3"	14' 7"	18' 11"	16' 6"	13' 11"
400S300-97	16	50	23' 10"	20' 10"	17' 7"	21' 8"	18' 11"	16' 0"	20' 1"	17' 7"	14' 10"	18' 11"	16' 6"	13' 11"	18' 0"	15' 8"	13' 3"	17' 2"	15' 0"	12' 8"
400S300-97	24	50	20' 10"	18' 2"	15' 4"	18' 11"	16' 6"	13' 11"	17' 7"	15' 4"	12' 11"	16' 6"	14' 5"	12' 2"	15' 8"	13' 9"	11' 7"	15' 0"	13' 1"	11' 1"
550S162-33	12	33	19' 7"	18' 3"	15' 5"	17' 0" e	16' 7" e	14' 0"	15' 2" e	15' 2" e	13' 0" e	13' 10" e	13' 10" e	12' 3" e	12' 10" e	12' 10" e	11' 7" e	12' 0" e	12' 0" e	11' 1" e
550S162-33	16	33	17' 0" e	16' 7" e	14' 0"	14' 8" e	14' 8" e	12' 8" e	13' 2" e	13' 2" e	11' 9" e	12' 0" e	12' 0" e	11' 1" e	11' 1" e	11' 1" e	10' 6" e	10' 5" e	10' 5" e	10' 1" e
550S162-33	24	33	13' 10" e	13' 10" e	12' 3" e	12' 0" e	12' 0" e	11' 1" e	10' 9" e	10' 9" e	10' 4" e	9' 10" e	9' 10" e	9' 8" e	9' 1" e	9' 1" e	9' 1" e	8' 6" e	8' 6" e	8' 6" e
550S162-43	12	33	22' 9"	19' 10"	16' 9"	20' 8"	18' 1"	15' 3"	18' 9"	16' 9"	14' 2"	17' 1"	15' 9"	13' 4"	15' 10" e	15' 0"	12' 8"	14' 10" e	14' 4" e	12' 1"
550S162-43	16	33	20' 8"	18' 1"	15' 3"	18' 2"	16' 5"	13' 10"	16' 3" e	15' 3" e	12' 10"	14' 10" e	14' 4" e	12' 1"	13' 8" e	13' 7" e	11' 6" e	12' 10" e	12' 10" e	11' 0" e
550S162-43	24	33	17' 1"	15' 9"	13' 4"	14' 10" e	14' 4" e	12' 1"	13' 3" e	13' 3" e	11' 3" e									

Limiting Wall Heights - Curtain Wall/Single Span



Stud Member	Spacing, in, oc	Fy, ksi	15 psf			20 psf			25 psf			30 psf			35 psf			40 psf		
			L/240	L/360	L/600	L/240	L/360	L/600	L/240	L/360	L/600	L/240	L/360	L/600	L/240	L/360	L/600	L/240	L/360	L/600
550S162-97	12	33	28' 11"	25' 3"	21' 4"	26' 4"	23' 0"	19' 5"	24' 5"	21' 4"	18' 0"	23' 0"	20' 1"	16' 11"	21' 10"	19' 1"	16' 1"	20' 11"	18' 3"	15' 5"
550S162-97	16	33	26' 4"	23' 0"	19' 5"	23' 11"	20' 11"	17' 7"	22' 2"	19' 5"	16' 4"	20' 11"	18' 3"	15' 5"	19' 10"	17' 4"	14' 7"	19' 0"	16' 7"	14' 0"
550S162-97	24	33	23' 0"	20' 1"	16' 11"	20' 11"	18' 3"	15' 5"	19' 5"	16' 11"	14' 3"	18' 3"	15' 11"	13' 5"	17' 4"	15' 2"	12' 9"	16' 7"	14' 6"	12' 3"
550S162-97	12	50	28' 11"	25' 3"	21' 4"	26' 4"	23' 0"	19' 5"	24' 5"	21' 4"	18' 0"	23' 0"	20' 1"	16' 11"	21' 10"	19' 1"	16' 1"	20' 11"	18' 3"	15' 5"
550S162-97	16	50	26' 4"	23' 0"	19' 5"	23' 11"	20' 11"	17' 7"	22' 2"	19' 5"	16' 4"	20' 11"	18' 3"	15' 5"	19' 10"	17' 4"	14' 7"	19' 0"	16' 7"	14' 0"
550S162-97	24	50	23' 0"	20' 1"	16' 11"	20' 11"	18' 3"	15' 5"	19' 5"	16' 11"	14' 3"	18' 3"	15' 11"	13' 5"	17' 4"	15' 2"	12' 9"	16' 7"	14' 6"	12' 3"
550S200-33	12	33	20' 10"	19' 1"	16' 1"	18' 1"	17' 4"	14' 8"	16' 2"	16' 1"	13' 7"	14' 9"	14' 9"	12' 10"	13' 8"	13' 8"	12' 2"	12' 9"	12' 9"	11' 8"
550S200-33	16	33	18' 1"	17' 4"	14' 8"	15' 8"	15' 8"	13' 4"	14' 0"	14' 0"	12' 4"	12' 9"	12' 9"	11' 8"	11' 10"	11' 10"	11' 1"	11' 1"	11' 1"	10' 7"
550S200-33	24	33	14' 9"	14' 9"	12' 10"	12' 9"	12' 9"	11' 8"	11' 5"	11' 5"	10' 10"	10' 5"	10' 5"	10' 2"	9' 8"	9' 8"	9' 8"	9' 0"	9' 0"	9' 0"
550S200-43	12	33	23' 11"	20' 11"	17' 7"	21' 7"	19' 0"	16' 0"	19' 4"	17' 7"	14' 10"	17' 7"	16' 7"	14' 0"	16' 4"	15' 9"	13' 3"	15' 3"	15' 1"	12' 8"
550S200-43	16	33	21' 7"	19' 0"	16' 0"	18' 8"	17' 3"	14' 6"	16' 9"	16' 0"	13' 6"	15' 3"	15' 1"	12' 8"	14' 2"	14' 2"	12' 1"	13' 3"	13' 3"	11' 6"
550S200-43	24	33	17' 7"	16' 7"	14' 0"	15' 3"	15' 1"	12' 8"	13' 8"	13' 8"	11' 10"	12' 5"	12' 5"	11' 1"	11' 6"	11' 6"	10' 6"	10' 9"	10' 9"	10' 1"
550S200-54	12	33	25' 8"	22' 5"	18' 11"	23' 4"	20' 4"	17' 2"	21' 8"	18' 11"	15' 11"	20' 4"	17' 10"	15' 0"	18' 10"	16' 11"	14' 3"	17' 8"	16' 2"	13' 8"
550S200-54	16	33	23' 4"	20' 4"	17' 2"	21' 2"	18' 6"	15' 7"	19' 4"	17' 2"	14' 6"	17' 8"	16' 2"	13' 8"	16' 4"	15' 4"	12' 11"	15' 3"	14' 8"	12' 5"
550S200-54	24	33	20' 4"	17' 10"	15' 0"	17' 8"	16' 2"	13' 8"	17' 8"	15' 0"	12' 8"	14' 5"	14' 1"	11' 11"	13' 4"	13' 4"	11' 4"	12' 6"	12' 6"	10' 10"
550S200-54	12	50	25' 8"	22' 5"	18' 11"	23' 4"	20' 4"	17' 2"	21' 8"	18' 11"	15' 11"	20' 4"	17' 10"	15' 0"	19' 4"	16' 11"	14' 3"	18' 6"	16' 2"	13' 8"
550S200-54	16	50	23' 4"	20' 4"	17' 2"	21' 2"	18' 6"	15' 7"	19' 8"	17' 2"	14' 6"	18' 6"	16' 2"	13' 8"	17' 7"	15' 4"	12' 11"	16' 10"	14' 8"	12' 5"
550S200-54	24	50	20' 4"	17' 10"	15' 0"	18' 6"	16' 2"	13' 8"	17' 2"	15' 0"	12' 8"	16' 2"	14' 1"	11' 11"	15' 4"	13' 5"	11' 4"	14' 5"	12' 10"	10' 10"
550S200-68	12	33	27' 6"	24' 1"	20' 3"	25' 0"	21' 10"	18' 5"	23' 3"	20' 3"	17' 1"	21' 10"	19' 1"	16' 1"	20' 9"	18' 2"	15' 3"	19' 10"	17' 4"	14' 8"
550S200-68	16	33	25' 0"	21' 10"	18' 5"	22' 9"	19' 10"	16' 9"	21' 1"	18' 5"	15' 7"	19' 10"	17' 4"	14' 8"	18' 10"	16' 6"	13' 11"	18' 0"	15' 9"	13' 3"
550S200-68	24	33	21' 10"	19' 1"	16' 1"	19' 10"	17' 4"	14' 8"	18' 5"	16' 1"	13' 7"	17' 4"	15' 2"	12' 9"	16' 1"	14' 5"	12' 2"	15' 0"	13' 9"	11' 7"
550S200-68	12	50	27' 6"	24' 1"	20' 3"	25' 0"	21' 10"	18' 5"	23' 3"	20' 3"	17' 1"	21' 10"	19' 1"	16' 1"	20' 9"	18' 2"	15' 3"	19' 10"	17' 4"	14' 8"
550S200-68	16	50	25' 0"	21' 10"	18' 5"	22' 9"	19' 10"	16' 9"	21' 1"	18' 5"	15' 7"	19' 10"	17' 4"	14' 8"	18' 10"	16' 6"	13' 11"	18' 0"	15' 9"	13' 3"
550S200-68	24	50	21' 10"	19' 1"	16' 1"	19' 10"	17' 4"	14' 8"	18' 5"	16' 1"	13' 7"	17' 4"	15' 2"	12' 9"	16' 1"	14' 5"	12' 2"	15' 0"	13' 9"	11' 7"
550S200-97	12	33	30' 7"	26' 8"	22' 6"	27' 9"	24' 3"	20' 5"	25' 9"	22' 6"	19' 0"	24' 3"	21' 2"	17' 10"	23' 0"	20' 1"	17' 0"	22' 0"	19' 3"	16' 3"
550S200-97	16	33	27' 9"	24' 3"	20' 5"	25' 3"	22' 0"	18' 7"	23' 5"	20' 5"	17' 3"	22' 0"	19' 3"	16' 3"	20' 11"	18' 3"	15' 5"	20' 0"	17' 6"	14' 9"
550S200-97	24	33	24' 3"	21' 2"	17' 10"	22' 0"	19' 3"	16' 3"	20' 5"	17' 10"	15' 1"	19' 3"	16' 10"	14' 2"	18' 3"	16' 0"	13' 6"	17' 6"	15' 3"	12' 11"
550S200-97	12	50	30' 7"	26' 8"	22' 6"	27' 9"	24' 3"	20' 5"	25' 9"	22' 6"	19' 0"	24' 3"	21' 2"	17' 10"	23' 0"	20' 1"	17' 0"	22' 0"	19' 3"	16' 3"
550S200-97	16	50	27' 9"	24' 3"	20' 5"	25' 3"	22' 0"	18' 7"	23' 5"	20' 5"	17' 3"	22' 0"	19' 3"	16' 3"	20' 11"	18' 3"	15' 5"	20' 0"	17' 6"	14' 9"
550S200-97	24	50	24' 3"	21' 2"	17' 10"	22' 0"	19' 3"	16' 3"	20' 5"	17' 10"	15' 1"	19' 3"	16' 10"	14' 2"	18' 3"	16' 0"	13' 6"	17' 6"	15' 3"	12' 11"
600S137-33	12	33	19' 1"	18' 7"	15' 8"	16' 6"	16' 6"	14' 3"	14' 9"	14' 9"	13' 3"	13' 6"	13' 6"	12' 5"	12' 6"	12' 6"	11' 10"	11' 8"	11' 8"	11' 4"
600S137-33	16	33	16' 6"	16' 6"	14' 3"	14' 4"	14' 4"	12' 11"	12' 10"	12' 10"	12' 0"	11' 8"	11' 8"	11' 4"	10' 10"	10' 10"	10' 9"	10' 1"	10' 1"	10' 1"
600S137-33	24	33	13' 6"	13' 6"	12' 5"	11' 8"	11' 8"	10' 5"	10' 5"	10' 5"	10' 5"	9' 6"	9' 6"	9' 6"	8' 10"	8' 10"	8' 10"	8' 3"	8' 3"	8' 3"
600S137-43	12	33	22' 11"	20' 5"	17' 3"	19' 10"	18' 6"	15' 8"	17' 9"	17' 3"	14' 6"	16' 3"	16' 2"	13' 8"	15' 0"	15' 0"	13' 0"	14' 0"	14' 0"	12' 5"
600S137-43	16	33	19' 10"	18' 6"	15' 8"	17' 2"	16' 10"	14' 2"	15' 5"	15' 5"	13' 2"	14' 0"	14' 0"	12' 5"	13' 0"	13' 0"	11' 9"	12' 2"	12' 2"	11' 3"
600S137-43	24	33	16' 3"	16' 2"	13' 8"	14' 0"	14' 0"	12' 5"	12' 7"	12' 7"	11' 6"	11' 6"	11' 6"	10' 10"	10' 7"	10' 7"	10' 4"	9' 11"	9' 11"	9' 10"
600S137-54	12	50	25' 1"	21' 11"	18' 5"	22' 9"	19' 11"	16' 9"	21' 2"	18' 5"	15' 7"	19' 11"	17' 4"	14' 8"	18' 11"	16' 6"	13' 11"	18' 1"	15' 9"	13' 4"
600S137-54	16	50	22' 9"	19' 11"	16' 9"	20' 8"	18' 1"	15' 3"	19' 2"	16' 9"	14' 2"	18' 1"	15' 9"	13' 4"	17' 2"	15' 0"	12' 8"	16' 4"	14' 4"	12' 1"
600S137-54	24	50	19' 11"	17' 4"	14' 8"	18' 1"	15' 9"	13' 4"	16' 9"	14' 8"	12' 4"	15' 4"	13' 9"	11' 8"	14' 3"	13' 1"	11' 1"	13' 4"	12' 6"	10' 7"
600S137-68	12	33	26' 10"	23' 5"	19' 9"	24' 5"	21' 4"	18' 0"	22' 8"	19' 9"	16' 8"	21' 3"	18' 7"	15' 8"	19' 8"	17' 8"	14' 11"	18' 5"	16' 11"	14' 3"
600S137-68	16	33	24' 5"	21' 4"	18' 0"	22' 2"	19' 4"	16' 4"	22' 2"	18' 0"	15' 2"	18' 5"	16' 11"	14' 3"	17' 1"	16' 1"	13' 7"	16' 0"	15' 4"	12' 11"
600S137-68	24	33	21' 3"	18' 7"	15' 8"	18' 5"	16' 11"	14' 3"	16' 6"	15' 8"	13' 3"	15' 1"	14' 9"	12' 5"	13' 11"	13' 11"	11' 10"	13' 0"	13' 0"	11' 4"
600S137-68	12	50	26' 10"	23' 5"	19' 9"	24' 5"	21' 4"	18' 0"	22' 8"	19' 9"	16' 8"	21' 4"	18' 7"	15' 8"	20' 3"	17' 8"	14' 11"	19' 4"	16' 11"	14' 3"
600S137-68	16	50	24' 5"	21' 4"	18' 0"	22' 2"	19' 4"	16' 4"	22' 2"	18' 0"	15' 2"	19' 4"	16' 11"	14' 3"	18' 5"	16' 1"	13' 7"	17' 7"	15' 4"	12' 11"
600S137-68	24	50	21' 4"	18' 7"	15' 8"	19' 4"	16' 11"	14' 3"	18' 0"	15' 8"	13' 3"	16' 11"	14' 9"	12' 5"	16' 1"	14' 0"	11' 10"	15' 4"	13' 5"	11' 4"
600S137-97	12	33	29' 8"	25' 11"	21' 10"	27' 0"	23' 7"	19' 10"	25' 0"	21' 10"	18' 5"	23' 7"	20' 7"	17' 4"	22' 5"	19' 7"	16' 6"	21' 5"	18' 8"	15' 9"
600S137-97	16	33	27' 0"	23' 7"	19' 10"	24' 6"	21' 5"	18' 1"	22' 9"	19' 10"	16' 9"	21' 5"	18' 8"	15' 9"	20' 4"	17' 9"	15' 0"	19' 5"	17' 0"	14' 4"
600S137-97	24	33	23' 7"	20' 7"	17' 4"	21' 5"	18' 8"	15' 9"	19' 10"	17' 4"	14' 8"	18' 8"	16' 4"	13' 9"	17' 9"	15' 6"	13' 1"	16' 11"	14' 10"	12' 6"
600S137-97	12	50	29' 8"	25' 11"	21' 10"	27' 0"	23' 7"	19' 10"	25' 0"	21' 10"	18' 5"	23' 7"	20' 7"	17' 4"	22' 5"	19' 7"	16' 6"	21' 5"	18' 8"	15' 9"
600S137-97	16	50	27' 0"	23' 7"	19' 10"	24' 6"	21' 5"	18' 1"	22' 9"	19' 10"	16' 9"	21' 5"	18' 8"	15' 9"	20' 4"	17' 9"	15' 0"	19' 5"	17' 0"	14' 4"
600S137-97	24	50	23' 7"	20' 7"	17' 4"	21' 5"	18' 8"	15' 9"	19' 10"	17' 4"	14' 8"	18' 8"	16' 4"	13' 9"	17' 9"	15' 6"	13' 1"	17' 0"	14' 10"	12' 6"
600S162-33	12	33	20' 6"	19' 6"	16' 6"	17' 9"	17' 9"	15' 0"	15' 11"	15' 11"	13' 11"	14' 6"	14' 6"	13' 1"	13' 5"	13' 5"	12' 5"	12' 7"	12' 7"	11' 11"
600S162-33	16	33	17' 9"	17' 9"	15' 0"	15' 5"	15' 5"	13' 7"	13' 9"	13' 9"	12' 8"	12' 7"	12' 7"	11' 11"	11' 8"	11' 8"	11' 3"	10' 11"	10' 11"	10' 10"
600S162-33	24	33	14' 6"	14' 6"	13' 1"	12' 7"	12' 7"	11' 11"	11' 3"	11' 3"	11' 0"	10' 3"	10' 3"	10' 3"	9' 6"	9' 6"	9' 6"	8' 11"	8' 11"	8' 11"
600S162-43	12	33	24' 4"	21' 3"	17' 11"	22' 0"	19' 4"	16' 4"	19' 8"	17' 11"	15' 2"	17' 11"	16' 11"	14' 3"	16' 7"	16' 1"	13' 6"	15' 6"	15' 4"	12' 11"
600S162-43	16																			

Limiting Wall Heights - Curtain Wall/Single Span



Stud Member	Spacing, in, oc	Fy, ksi	15 psf			20 psf			25 psf			30 psf			35 psf			40 psf		
			L/240	L/360	L/600	L/240	L/360	L/600	L/240	L/360	L/600	L/240	L/360	L/600	L/240	L/360	L/600	L/240	L/360	L/600
600S162-118	12	33	32' 10"	28' 8"	24' 2"	29' 10"	26' 0"	22' 0"	27' 8"	24' 2"	20' 5"	26' 0"	22' 9"	19' 2"	24' 9"	21' 7"	18' 3"	23' 8"	20' 8"	17' 5"
600S162-118	16	33	29' 10"	26' 0"	22' 0"	27' 1"	23' 8"	19' 11"	25' 2"	22' 0"	18' 6"	23' 8"	20' 8"	17' 5"	22' 6"	19' 8"	16' 7"	21' 6"	18' 9"	15' 10"
600S162-118	24	33	26' 0"	22' 9"	19' 2"	23' 8"	20' 8"	17' 5"	22' 0"	19' 2"	16' 2"	20' 8"	18' 1"	15' 3"	19' 8"	17' 2"	14' 6"	18' 9"	16' 5"	13' 10"
600S162-118	12	50	32' 10"	28' 8"	24' 2"	29' 10"	26' 0"	22' 0"	27' 8"	24' 2"	20' 5"	26' 0"	22' 9"	19' 2"	24' 9"	21' 7"	18' 3"	23' 8"	20' 8"	17' 5"
600S162-118	16	50	29' 10"	26' 0"	22' 0"	27' 1"	23' 8"	19' 11"	25' 2"	22' 0"	18' 6"	23' 8"	20' 8"	17' 5"	22' 6"	19' 8"	16' 7"	21' 6"	18' 9"	15' 10"
600S162-118	24	50	26' 0"	22' 9"	19' 2"	23' 8"	20' 8"	17' 5"	22' 0"	19' 2"	16' 2"	20' 8"	18' 1"	15' 3"	19' 8"	17' 2"	14' 6"	18' 9"	16' 5"	13' 10"
600S200-33	12	33	21' 11"	20' 6"	17' 3"	18' 11"	18' 7"	15' 8"	16' 11"	16' 11"	14' 7"	15' 6"	15' 6"	13' 8"	14' 4"	14' 4"	13' 0"	13' 5"	13' 5"	12' 5"
600S200-33	16	33	18' 11"	18' 7"	15' 8"	16' 5"	16' 5"	14' 3"	14' 8"	14' 8"	13' 3"	13' 5"	13' 5"	12' 5"	12' 5"	12' 5"	11' 10"	11' 7"	11' 7"	11' 4"
600S200-33	24	33	15' 6"	15' 6"	13' 8"	13' 5"	13' 5"	12' 5"	12' 0"	12' 0"	11' 7"	10' 11"	10' 11"	10' 10"	10' 2"	10' 2"	10' 2"	9' 6"	9' 6"	9' 6"
600S200-43	12	33	25' 7"	22' 4"	18' 10"	22' 8"	20' 4"	17' 2"	20' 3"	18' 10"	15' 11"	18' 6"	17' 9"	15' 0"	17' 1"	16' 10"	14' 3"	16' 0"	16' 0"	13' 7"
600S200-43	16	33	22' 8"	20' 4"	17' 2"	19' 7"	18' 5"	15' 7"	17' 7"	17' 2"	14' 5"	16' 0"	16' 0"	13' 7"	14' 10"	14' 10"	12' 11"	13' 10"	13' 10"	12' 4"
600S200-43	24	33	18' 6"	17' 9"	15' 0"	16' 0"	16' 0"	13' 7"	14' 4"	14' 4"	12' 7"	13' 1"	13' 1"	11' 11"	12' 1"	12' 1"	11' 3"	11' 4"	11' 4"	10' 9"
600S200-54	12	33	27' 6"	24' 0"	20' 3"	24' 11"	21' 10"	18' 5"	23' 2"	20' 3"	17' 1"	21' 10"	19' 1"	16' 1"	20' 6"	18' 1"	15' 3"	19' 2"	17' 4"	14' 7"
600S200-54	16	33	24' 11"	21' 10"	18' 5"	22' 8"	19' 10"	16' 8"	21' 0"	18' 5"	15' 6"	19' 2"	17' 4"	14' 7"	17' 9"	16' 5"	13' 10"	16' 7"	15' 9"	13' 3"
600S200-54	24	33	21' 10"	19' 1"	16' 1"	19' 2"	17' 4"	14' 7"	17' 2"	16' 1"	13' 7"	15' 8"	15' 1"	12' 9"	14' 6"	14' 6"	12' 1"	13' 7"	13' 7"	11' 7"
600S200-54	12	50	27' 6"	24' 0"	20' 3"	24' 11"	21' 10"	18' 5"	23' 2"	20' 3"	17' 1"	21' 10"	19' 1"	16' 1"	20' 9"	18' 1"	15' 3"	19' 10"	17' 4"	14' 7"
600S200-54	16	50	24' 11"	21' 10"	18' 5"	22' 8"	19' 10"	16' 8"	21' 1"	18' 5"	15' 6"	19' 10"	17' 4"	14' 7"	18' 10"	16' 5"	13' 10"	18' 0"	15' 9"	13' 3"
600S200-54	24	50	21' 10"	19' 1"	16' 1"	19' 10"	17' 4"	14' 7"	18' 5"	16' 1"	13' 7"	17' 4"	15' 1"	12' 9"	16' 2"	14' 4"	12' 1"	15' 1"	13' 9"	11' 7"
600S200-68	12	33	29' 6"	25' 9"	21' 9"	26' 9"	23' 5"	19' 9"	24' 10"	21' 9"	18' 4"	23' 5"	20' 5"	17' 3"	22' 3"	19' 5"	16' 4"	21' 3"	18' 7"	15' 8"
600S200-68	16	33	26' 9"	23' 5"	19' 9"	24' 4"	21' 3"	17' 11"	22' 7"	19' 9"	16' 8"	21' 3"	18' 7"	15' 8"	20' 2"	17' 8"	14' 11"	19' 4"	16' 10"	14' 3"
600S200-68	24	33	23' 5"	20' 5"	17' 3"	21' 3"	18' 7"	15' 8"	19' 9"	17' 3"	14' 6"	18' 3"	16' 3"	13' 8"	16' 11"	15' 5"	13' 0"	15' 10"	14' 9"	12' 5"
600S200-68	12	50	29' 6"	25' 9"	21' 9"	26' 9"	23' 5"	19' 9"	24' 10"	21' 9"	18' 4"	23' 5"	20' 5"	17' 3"	22' 3"	19' 5"	16' 4"	21' 3"	18' 7"	15' 8"
600S200-68	16	50	26' 9"	23' 5"	19' 9"	24' 4"	21' 3"	17' 11"	22' 7"	19' 9"	16' 8"	21' 3"	18' 7"	15' 8"	20' 2"	17' 8"	14' 11"	19' 4"	16' 10"	14' 3"
600S200-68	24	50	23' 5"	20' 5"	17' 3"	21' 3"	18' 7"	15' 8"	19' 9"	17' 3"	14' 6"	18' 7"	16' 3"	13' 8"	17' 8"	15' 5"	13' 0"	16' 10"	14' 9"	12' 5"
600S200-97	12	33	32' 9"	28' 7"	24' 1"	29' 9"	26' 0"	21' 11"	27' 7"	24' 1"	20' 4"	26' 0"	22' 8"	19' 2"	24' 8"	21' 7"	18' 2"	23' 7"	20' 7"	17' 5"
600S200-97	16	33	29' 9"	26' 0"	21' 11"	27' 0"	23' 7"	19' 11"	25' 1"	21' 11"	18' 6"	23' 7"	20' 7"	17' 5"	22' 5"	19' 7"	16' 6"	21' 5"	18' 9"	15' 10"
600S200-97	24	33	26' 0"	22' 8"	19' 2"	23' 7"	20' 7"	17' 5"	21' 11"	19' 2"	16' 2"	20' 7"	18' 0"	15' 2"	19' 7"	17' 1"	14' 5"	18' 9"	16' 4"	13' 10"
600S200-97	12	50	32' 9"	28' 7"	24' 1"	29' 9"	26' 0"	21' 11"	27' 7"	24' 1"	20' 4"	26' 0"	22' 8"	19' 2"	24' 8"	21' 7"	18' 2"	23' 7"	20' 7"	17' 5"
600S200-97	16	50	29' 9"	26' 0"	21' 11"	27' 0"	23' 7"	19' 11"	25' 1"	21' 11"	18' 6"	23' 7"	20' 7"	17' 5"	22' 5"	19' 7"	16' 6"	21' 5"	18' 9"	15' 10"
600S200-97	24	50	26' 0"	22' 8"	19' 2"	23' 7"	20' 7"	17' 5"	21' 11"	19' 2"	16' 2"	20' 7"	18' 0"	15' 2"	19' 7"	17' 1"	14' 5"	18' 9"	16' 4"	13' 10"
600S200-118	12	33	34' 7"	30' 3"	25' 6"	31' 5"	27' 6"	23' 2"	29' 2"	25' 6"	21' 6"	27' 6"	24' 0"	20' 3"	26' 1"	22' 10"	19' 3"	25' 0"	21' 10"	18' 5"
600S200-118	16	33	31' 5"	27' 6"	23' 2"	28' 7"	25' 0"	21' 1"	26' 6"	23' 2"	19' 7"	25' 0"	21' 10"	18' 5"	23' 9"	20' 9"	17' 6"	22' 8"	19' 10"	16' 9"
600S200-118	24	33	27' 6"	24' 0"	20' 3"	25' 0"	21' 10"	18' 5"	23' 2"	20' 3"	17' 1"	21' 10"	19' 1"	16' 1"	20' 9"	18' 1"	15' 3"	19' 10"	17' 4"	14' 7"
600S200-118	12	50	34' 7"	30' 3"	25' 6"	31' 5"	27' 6"	23' 2"	29' 2"	25' 6"	21' 6"	27' 6"	24' 0"	20' 3"	26' 1"	22' 10"	19' 3"	25' 0"	21' 10"	18' 5"
600S200-118	16	50	31' 5"	27' 6"	23' 2"	28' 7"	25' 0"	21' 1"	26' 6"	23' 2"	19' 7"	25' 0"	21' 10"	18' 5"	23' 9"	20' 9"	17' 6"	22' 8"	19' 10"	16' 9"
600S200-118	24	50	27' 6"	24' 0"	20' 3"	25' 0"	21' 10"	18' 5"	23' 2"	20' 3"	17' 1"	21' 10"	19' 1"	16' 1"	20' 9"	18' 1"	15' 3"	19' 10"	17' 4"	14' 7"
600S250-43	12	33	26' 10"	23' 5"	19' 9"	23' 3"	21' 3"	17' 11"	20' 10"	19' 1"	16' 8"	19' 0"	18' 7"	15' 8"	17' 7"	17' 7"	14' 11"	16' 5"	16' 5"	14' 3"
600S250-43	16	33	23' 3"	21' 3"	17' 11"	20' 2"	19' 4"	16' 4"	18' 0"	17' 11"	15' 2"	16' 5"	16' 5"	14' 3"	15' 3"	15' 3"	13' 6"	14' 3"	14' 3"	12' 11"
600S250-43	24	33	19' 0"	18' 7"	15' 8"	16' 5"	16' 5"	14' 3"	14' 8"	14' 8"	13' 3"	13' 5"	13' 5"	12' 5"	12' 5"	12' 5"	11' 10"	11' 7"	11' 7"	11' 4"
600S250-54	12	33	28' 9"	25' 2"	21' 2"	26' 2"	22' 10"	19' 3"	24' 2"	21' 2"	17' 11"	22' 1"	19' 11"	16' 10"	20' 5"	18' 11"	16' 0"	19' 1"	18' 2"	15' 4"
600S250-54	16	33	26' 2"	22' 10"	19' 3"	23' 5"	20' 9"	17' 6"	20' 11"	19' 3"	16' 3"	19' 1"	18' 2"	15' 4"	17' 8"	17' 3"	14' 6"	16' 7"	16' 6"	13' 11"
600S250-54	24	33	22' 1"	19' 11"	16' 10"	19' 1"	18' 2"	15' 4"	17' 1"	16' 10"	14' 2"	15' 7"	15' 7"	13' 4"	14' 5"	14' 5"	12' 8"	13' 6"	13' 6"	12' 2"
600S250-54	12	50	28' 8"	25' 0"	21' 1"	26' 0"	22' 9"	19' 2"	24' 2"	21' 1"	17' 10"	22' 9"	19' 10"	16' 9"	21' 7"	18' 10"	15' 11"	20' 8"	18' 1"	15' 3"
600S250-54	16	50	26' 0"	22' 9"	19' 2"	23' 8"	20' 8"	17' 5"	19' 11"	19' 2"	16' 2"	20' 8"	18' 1"	15' 3"	19' 7"	17' 2"	14' 6"	18' 9"	16' 5"	13' 10"
600S250-54	24	50	22' 9"	19' 10"	16' 9"	20' 8"	18' 1"	15' 3"	21' 10"	16' 9"	14' 2"	17' 10"	15' 9"	13' 4"	16' 6"	15' 0"	12' 8"	15' 6"	14' 4"	12' 1"
600S250-68	12	33	30' 11"	27' 0"	22' 9"	28' 1"	24' 6"	20' 8"	26' 1"	22' 9"	19' 2"	24' 6"	21' 5"	18' 1"	23' 4"	20' 4"	17' 2"	22' 3"	19' 6"	16' 5"
600S250-68	16	33	28' 1"	24' 6"	20' 8"	25' 6"	22' 3"	18' 10"	23' 8"	20' 8"	17' 5"	22' 3"	19' 6"	16' 5"	21' 2"	18' 6"	15' 7"	19' 10"	17' 8"	14' 11"
600S250-68	24	33	24' 6"	21' 5"	18' 1"	22' 3"	19' 6"	16' 5"	20' 6"	18' 1"	15' 3"	18' 9"	17' 0"	14' 4"	17' 4"	16' 2"	13' 8"	16' 2"	15' 5"	13' 0"
600S250-68	12	50	30' 11"	27' 0"	22' 9"	28' 1"	24' 6"	20' 8"	26' 1"	22' 9"	19' 2"	24' 6"	21' 5"	18' 1"	23' 4"	20' 4"	17' 2"	22' 3"	19' 6"	16' 5"
600S250-68	16	50	28' 1"	24' 6"	20' 8"	25' 6"	22' 3"	18' 10"	23' 8"	20' 8"	17' 5"	22' 3"	19' 6"	16' 5"	21' 2"	18' 6"	15' 7"	19' 10"	17' 8"	14' 11"
600S250-68	24	50	24' 6"	21' 5"	18' 1"	22' 3"	19' 6"	16' 5"	20' 8"	18' 1"	15' 3"	19' 6"	17' 0"	14' 4"	18' 6"	16' 2"	13' 7"	17' 8"	15' 5"	13' 0"
600S250-97	12	33	34' 4"	30' 0"	25' 4"	31' 3"	27' 3"	23' 0"	29' 0"	25' 4"	21' 4"	27' 3"	23' 10"	20' 1"	25' 11"	22' 8"	19' 1"	24' 9"	21' 8"	18' 3"
600S250-97	16	33	31' 3"	27' 3"	23' 0"	28' 4"	24' 9"	20' 11"	26' 4"	23' 0"	19' 5"	24' 9"	21' 8"	18' 3"	23' 6"	20' 7"	17' 4"	22' 6"	19' 8"	16' 7"
600S250-97	24	33	27' 3"	23' 0"	20' 1"	24' 9"	21' 8"	18' 3"	23' 0"	20' 1"	16' 11"	21' 8"	18' 11"	15' 11"	20' 7"	18' 0"	15' 2"	19' 8"	17' 2"	14' 6"
600S250-97	12	50	34' 4"	30' 0"	25' 4"	31' 3"	27' 3"	23' 0"	29' 0"	25' 4"	21' 4"	27' 3"	23' 10"	20' 1"	25' 11"	22' 8"	19' 1"	24' 9"	21' 8"	18' 3"
600S250-97																				

Limiting Wall Heights - Curtain Wall/Single Span



Stud Member	Spacing, in, oc	Fy, ksi	15 psf			20 psf			25 psf			30 psf			35 psf			40 psf		
			L/240	L/360	L/600	L/240	L/360	L/600	L/240	L/360	L/600	L/240	L/360	L/600	L/240	L/360	L/600	L/240	L/360	L/600
600S300-54	12	50	29' 3"	25' 7"	21' 7"	26' 7"	23' 3"	19' 7"	24' 8"	21' 7"	18' 2"	23' 3"	20' 3"	17' 1"	22' 1"	19' 3"	16' 3"	21' 1"	18' 5"	15' 7"
600S300-54	16	50	26' 7"	23' 3"	19' 7"	24' 2"	21' 1"	17' 10"	22' 5"	19' 7"	16' 6"	21' 1"	18' 5"	15' 7"	20' 1"	17' 6"	14' 9"	19' 2"	16' 9"	14' 2"
600S300-54	24	50	23' 3"	20' 3"	17' 1"	21' 1"	18' 5"	15' 7"	19' 7"	17' 1"	14' 5"	18' 2"	16' 1"	13' 7"	16' 10"	15' 4"	12' 11"	15' 9" e	14' 8"	12' 4"
600S300-68	12	33	32' 2"	28' 1"	23' 9"	29' 3"	25' 7"	21' 7"	27' 2"	23' 9"	20' 0"	25' 7"	22' 4"	18' 10"	24' 3"	21' 2"	17' 11"	22' 8"	20' 3"	17' 1"
600S300-68	16	33	29' 3"	25' 7"	21' 7"	26' 7"	23' 3"	19' 7"	24' 8"	21' 7"	18' 2"	22' 8"	20' 3"	17' 1"	21' 0"	19' 3"	16' 3"	19' 8"	18' 5"	15' 6"
600S300-68	24	33	25' 7"	22' 4"	18' 10"	22' 8"	20' 3"	17' 1"	20' 4"	18' 10"	15' 11"	18' 6"	17' 9"	14' 11"	17' 2"	16' 10"	14' 2"	16' 1" e	16' 1" e	13' 7"
600S300-68	12	50	31' 11"	27' 11"	23' 6"	29' 0"	25' 4"	21' 5"	26' 11"	23' 6"	19' 10"	25' 4"	22' 2"	18' 8"	24' 1"	21' 0"	17' 9"	23' 0"	20' 2"	17' 0"
600S300-68	16	50	29' 0"	25' 4"	21' 5"	26' 4"	23' 0"	19' 5"	24' 6"	21' 5"	18' 0"	23' 0"	20' 2"	17' 0"	21' 11"	19' 1"	16' 1"	20' 11"	18' 3"	15' 5"
600S300-68	24	50	25' 4"	22' 2"	18' 8"	23' 0"	20' 2"	17' 0"	21' 5"	18' 8"	15' 9"	20' 2"	17' 7"	14' 10"	19' 1"	16' 8"	14' 1"	18' 3"	16' 0"	13' 6"
600S300-97	12	33	35' 10"	31' 4"	26' 5"	32' 7"	28' 5"	24' 0"	30' 3"	26' 5"	22' 3"	28' 5"	24' 10"	21' 0"	27' 0"	23' 7"	19' 11"	25' 10"	22' 7"	19' 1"
600S300-97	16	33	32' 7"	28' 5"	24' 0"	29' 7"	25' 10"	21' 10"	27' 6"	24' 0"	20' 5"	25' 10"	22' 7"	19' 1"	24' 7"	21' 5"	18' 11"	23' 6"	20' 6"	17' 4"
600S300-97	24	33	28' 5"	24' 10"	21' 0"	25' 10"	22' 7"	19' 1"	24' 0"	21' 0"	17' 8"	22' 7"	19' 9"	16' 8"	21' 5"	18' 9"	15' 10"	20' 6"	17' 11"	15' 1"
600S300-97	12	50	35' 8"	31' 2"	26' 4"	32' 5"	28' 4"	23' 11"	30' 1"	26' 4"	22' 2"	28' 4"	24' 9"	20' 10"	26' 11"	23' 6"	19' 10"	25' 9"	22' 6"	19' 0"
600S300-97	16	50	32' 5"	28' 4"	23' 11"	29' 6"	25' 9"	21' 8"	27' 4"	23' 11"	20' 2"	25' 9"	22' 6"	19' 0"	24' 5"	21' 4"	18' 0"	23' 5"	20' 5"	17' 3"
600S300-97	24	50	28' 4"	24' 9"	20' 10"	25' 9"	22' 6"	19' 0"	23' 11"	20' 10"	17' 7"	22' 6"	19' 8"	16' 7"	21' 4"	18' 8"	15' 9"	20' 5"	17' 10"	15' 1"
600S300-118	12	33	38' 0"	33' 2"	28' 0"	34' 6"	30' 2"	25' 5"	32' 1"	28' 0"	23' 7"	30' 2"	26' 4"	22' 3"	28' 8"	25' 0"	21' 1"	27' 5"	23' 11"	20' 2"
600S300-118	16	33	34' 6"	30' 2"	25' 5"	31' 4"	27' 5"	23' 1"	29' 1"	25' 5"	21' 5"	27' 5"	23' 11"	20' 2"	26' 0"	22' 9"	19' 2"	24' 11"	21' 9"	18' 4"
600S300-118	24	33	30' 2"	26' 4"	22' 3"	27' 5"	23' 11"	20' 2"	25' 5"	22' 3"	18' 9"	23' 11"	20' 11"	17' 8"	22' 9"	19' 10"	16' 9"	21' 9"	19' 0"	16' 0"
600S300-118	12	50	37' 11"	33' 1"	27' 11"	34' 5"	30' 1"	25' 4"	32' 0"	27' 11"	23' 7"	30' 1"	26' 3"	22' 2"	28' 7"	24' 11"	21' 1"	27' 4"	23' 10"	20' 2"
600S300-118	16	50	34' 5"	30' 1"	25' 4"	31' 3"	27' 4"	23' 1"	29' 0"	25' 4"	21' 5"	27' 4"	23' 10"	20' 2"	25' 11"	22' 8"	19' 1"	24' 10"	21' 8"	18' 4"
600S300-118	24	50	30' 1"	26' 3"	22' 2"	27' 4"	23' 10"	20' 2"	25' 4"	22' 2"	18' 8"	23' 10"	20' 10"	17' 7"	22' 8"	19' 10"	16' 8"	21' 8"	18' 11"	16' 0"
600S350-54	12	33	31' 4"	27' 4"	23' 1"	28' 5"	24' 10"	20' 11"	26' 5"	23' 1"	19' 5"	24' 10"	21' 8"	18' 4"	23' 1" e	20' 7"	17' 5"	21' 7" e	19' 9"	16' 8"
600S350-54	16	33	28' 5"	24' 10"	20' 11"	25' 10"	22' 7"	19' 0"	23' 8"	20' 11"	17' 8"	21' 7" e	19' 9"	16' 8"	20' 0" e	18' 9" e	15' 10"	18' 8" e	17' 11" e	15' 1" e
600S350-54	24	33	24' 10"	21' 8"	18' 4"	21' 7" e	19' 9"	16' 8"	19' 4" e	18' 4" e	15' 3"	17' 8" e	17' 3" e	14' 6" e	16' 4" e	16' 4" e	13' 10" e	15' 3" e	15' 3" e	13' 2" e
800S137-54	12	33	31' 1"	27' 8"	23' 4"	26' 11"	25' 1"	21' 2"	24' 1"	23' 4"	19' 8"	22' 0"	21' 11"	18' 6"	20' 4"	20' 4"	17' 7"	19' 0" e	19' 0" e	16' 10"
800S137-54	16	33	26' 11"	25' 1"	21' 2"	23' 4"	22' 10"	19' 3"	20' 10"	20' 10"	17' 10"	19' 0" e	19' 0" e	16' 10"	17' 8" e	17' 8" e	16' 0"	16' 6" e	16' 6" e	15' 3" e
800S137-54	24	33	22' 0"	21' 11"	18' 6"	19' 0" e	19' 0" e	16' 10"	17' 0" e	17' 0" e	15' 7" e	15' 7" e	15' 7" e	14' 8" e	14' 5" e	14' 5" e	13' 11" e	13' 6" e	13' 6" e	13' 4" e
800S137-54	12	50	31' 5"	27' 6"	23' 2"	28' 7"	24' 11"	21' 1"	26' 6"	23' 2"	19' 6"	24' 11"	21' 10"	18' 5"	23' 4"	20' 8"	17' 6"	21' 9"	19' 10"	16' 8"
800S137-54	16	50	28' 7"	24' 11"	21' 1"	25' 11"	22' 8"	19' 1"	23' 10"	21' 1"	17' 9"	21' 9"	19' 10"	16' 8"	20' 2"	18' 10"	15' 10"	18' 10"	18' 0"	15' 2"
800S137-54	24	50	24' 11"	21' 10"	18' 5"	21' 9"	19' 10"	16' 8"	19' 6"	18' 5"	15' 6"	17' 9"	17' 4"	14' 7"	16' 6" e	16' 5" e	13' 10"	15' 5" e	15' 5" e	13' 3"
800S137-68	12	33	34' 0"	29' 9"	25' 1"	30' 11"	27' 0"	22' 9"	28' 2"	25' 1"	21' 2"	25' 9"	23' 7"	19' 11"	23' 10"	22' 5"	18' 11"	22' 3"	21' 5"	18' 1"
800S137-68	16	33	30' 11"	27' 0"	22' 9"	27' 3"	24' 6"	20' 8"	24' 5"	22' 9"	19' 2"	22' 3"	21' 5"	18' 1"	20' 7"	20' 4"	17' 2"	19' 3"	19' 3"	16' 5"
800S137-68	24	33	25' 9"	23' 7"	19' 11"	22' 3"	21' 5"	18' 1"	19' 11"	19' 11"	16' 9"	18' 2"	18' 2"	15' 9"	16' 10" e	16' 10" e	15' 0"	15' 9" e	15' 9" e	14' 4"
800S137-68	12	50	34' 0"	29' 8"	25' 0"	30' 11"	27' 0"	22' 9"	28' 8"	25' 0"	21' 1"	27' 0"	23' 7"	19' 10"	25' 7"	22' 5"	18' 11"	24' 6"	21' 5"	18' 1"
800S137-68	16	50	30' 11"	27' 0"	22' 9"	28' 1"	24' 6"	20' 8"	26' 0"	22' 9"	19' 2"	24' 6"	21' 5"	18' 1"	23' 3"	20' 4"	17' 2"	22' 3"	19' 5"	16' 5"
800S137-68	24	50	27' 0"	23' 7"	19' 10"	24' 6"	21' 5"	18' 1"	22' 9"	19' 10"	16' 9"	21' 0"	18' 8"	15' 9"	19' 5"	17' 9"	15' 0"	18' 2"	17' 0"	14' 4"
800S137-97	12	33	37' 9"	32' 11"	27' 10"	34' 3"	29' 11"	25' 3"	31' 10"	27' 10"	23' 5"	29' 11"	26' 2"	22' 1"	28' 5"	24' 10"	20' 11"	27' 2"	23' 9"	20' 1"
800S137-97	16	33	34' 3"	29' 11"	25' 3"	31' 2"	27' 2"	22' 11"	28' 11"	25' 3"	21' 4"	27' 2"	23' 9"	20' 1"	25' 10"	22' 7"	19' 0"	24' 9"	21' 7"	18' 3"
800S137-97	24	33	29' 11"	26' 2"	22' 1"	27' 2"	23' 9"	20' 1"	25' 3"	22' 1"	18' 7"	23' 9"	20' 9"	17' 6"	22' 7"	19' 9"	16' 8"	21' 7"	18' 10"	15' 11"
800S137-97	12	50	37' 9"	32' 11"	27' 10"	34' 3"	29' 11"	25' 3"	31' 10"	27' 10"	23' 5"	29' 11"	26' 2"	22' 1"	28' 5"	24' 10"	20' 11"	27' 2"	23' 9"	20' 1"
800S137-97	16	50	34' 3"	29' 11"	25' 3"	31' 2"	27' 2"	22' 11"	28' 11"	25' 3"	21' 4"	27' 2"	23' 9"	20' 1"	25' 10"	22' 7"	19' 0"	24' 9"	21' 7"	18' 3"
800S137-97	24	50	29' 11"	26' 2"	22' 1"	27' 2"	23' 9"	20' 1"	25' 3"	22' 1"	18' 7"	23' 9"	20' 9"	17' 6"	22' 7"	19' 9"	16' 8"	21' 7"	18' 10"	15' 11"
800S162-33	12	33	23' 8" e	23' 8" e	20' 4" e	20' 6" e	20' 6" e	18' 6" e	18' 4" e	18' 4" e	17' 2" e	16' 9" e	16' 9" e	16' 2" e	15' 6" e	15' 6" e	15' 4" e	14' 6" e	14' 6" e	14' 6" e
800S162-33	16	33	20' 6" e	20' 6" e	18' 6" e	17' 9" e	17' 9" e	16' 10" e	15' 11" e	15' 11" e	15' 7" e	14' 6" e	14' 6" e	14' 6" e	13' 5" e	13' 5" e	13' 5" e	12' 7" e	12' 7" e	12' 7" e
800S162-33	24	33	16' 9" e	16' 9" e	16' 2" e	14' 6" e	14' 6" e	14' 6" e	13' 0" e	13' 0" e	13' 0" e	11' 10" e	11' 10" e	11' 10" e	11' 0" e	11' 0" e	11' 0" e	10' 3" e	10' 3" e	10' 3" e
800S162-43	12	33	28' 7" e	26' 7" e	22' 5"	24' 9" e	24' 2" e	20' 4"	24' 9" e	24' 2" e	18' 11"	18' 8" e	20' 2" e	17' 9" e	18' 8" e	18' 8" e	16' 11" e	17' 6" e	17' 6" e	16' 2" e
800S162-43	16	33	24' 9" e	24' 2" e	20' 4"	21' 5" e	21' 5" e	18' 6"	19' 2" e	19' 2" e	17' 2" e	17' 6" e	17' 6" e	16' 2" e	16' 2" e	16' 2" e	15' 4" e	15' 2" e	15' 2" e	14' 8" e
800S162-43	24	33	20' 2" e	20' 2" e	17' 9" e	17' 6" e	17' 6" e	16' 2" e	15' 8" e	15' 8" e	15' 0" e	14' 3" e	14' 3" e	14' 1" e	13' 3" e	13' 3" e	13' 3" e	12' 4" e	12' 4" e	12' 4" e
800S162-54	12	33	32' 11"	28' 9"	24' 3"	28' 10"	26' 1"	22' 0"	25' 10"	24' 3"	20' 5"	23' 7"	22' 10"	19' 3"	21' 10" e	21' 8"	18' 3"	20' 5" e	20' 5" e	17' 6"
800S162-54	16	33	28' 10"	26' 1"	22' 0"	25' 0"	23' 9"	20' 0"	22' 4"	22' 0"	18' 7"	20' 5" e	20' 5" e	17' 6"	18' 11" e	18' 11" e	16' 7" e	17' 8" e	17' 8" e	15' 11" e
800S162-54	24	33	23' 7"	22' 10"	19' 3"	20' 5" e	20' 5" e	17' 6"	18' 3" e	18' 3" e	16' 3" e	16' 8" e	16' 8" e	15' 3" e	15' 5" e	15' 5" e	14' 6" e	14' 5" e	14' 5" e	13' 10" e
800S162-54	12	50	32' 8"	28' 7"	24' 1"	29' 9"	25' 11"	21' 11"	27' 7"	24' 1"	20' 4"	25' 11"	22' 8"	19' 1"	24' 8"	21' 6"	18' 2"	23' 5"	20' 7"	17' 4"
800S162-54	16	50	29' 9"	25' 11"	21' 11"	27' 0"	23' 7"	19' 11"	25' 1"	21' 11"	18' 6"	23' 5"	20' 7"	17' 4"	21' 8"	19' 7"	16' 6"	20' 3"	18' 9"	15' 9"
800S162-54	24	50	25' 11"	22'																

Limiting Wall Heights - Curtain Wall/Single Span



Stud Member	Spacing,		15 psf			20 psf			25 psf			30 psf			35 psf			40 psf		
	in, oc	Fy, ksi	L/240	L/360	L/600	L/240	L/360	L/600	L/240	L/360	L/600	L/240	L/360	L/600	L/240	L/360	L/600	L/240	L/360	L/600
800S162-118	12	33	41' 7"	36' 4"	30' 8"	37' 9"	33' 0"	27' 10"	35' 1"	30' 8"	25' 10"	33' 0"	28' 10"	24' 4"	31' 4"	27' 5"	23' 1"	30' 0"	26' 2"	22' 1"
800S162-118	16	33	37' 9"	33' 0"	27' 10"	34' 4"	30' 0"	25' 3"	31' 10"	27' 10"	23' 6"	30' 0"	26' 2"	22' 1"	28' 6"	24' 11"	21' 0"	27' 3"	23' 10"	20' 1"
800S162-118	24	33	33' 0"	28' 10"	24' 4"	30' 0"	26' 2"	22' 1"	27' 10"	24' 4"	20' 6"	26' 2"	22' 11"	19' 4"	24' 11"	21' 9"	18' 4"	23' 10"	20' 9"	17' 6"
800S162-118	12	50	41' 7"	36' 4"	30' 8"	37' 9"	33' 0"	27' 10"	35' 1"	30' 8"	25' 10"	33' 0"	28' 10"	24' 4"	31' 4"	27' 5"	23' 1"	30' 0"	26' 2"	22' 1"
800S162-118	16	50	37' 9"	33' 0"	27' 10"	34' 4"	30' 0"	25' 3"	31' 10"	27' 10"	23' 6"	30' 0"	26' 2"	22' 1"	28' 6"	24' 11"	21' 0"	27' 3"	23' 10"	20' 1"
800S162-118	24	33	33' 0"	28' 10"	24' 4"	30' 0"	26' 2"	22' 1"	27' 10"	24' 4"	20' 6"	26' 2"	22' 11"	19' 4"	24' 11"	21' 9"	18' 4"	23' 10"	20' 9"	17' 6"
800S162-118	12	50	41' 7"	36' 4"	30' 8"	37' 9"	33' 0"	27' 10"	35' 1"	30' 8"	25' 10"	33' 0"	28' 10"	24' 4"	31' 4"	27' 5"	23' 1"	30' 0"	26' 2"	22' 1"
800S162-118	16	50	37' 9"	33' 0"	27' 10"	34' 4"	30' 0"	25' 3"	31' 10"	27' 10"	23' 6"	30' 0"	26' 2"	22' 1"	28' 6"	24' 11"	21' 0"	27' 3"	23' 10"	20' 1"
800S162-118	24	50	33' 0"	28' 10"	24' 4"	30' 0"	26' 2"	22' 1"	27' 10"	24' 4"	20' 6"	26' 2"	22' 11"	19' 4"	24' 11"	21' 9"	18' 4"	23' 10"	20' 9"	17' 6"
800S200-33	12	33	25' 5" e	25' 5" e	21' 8" e	22' 0" e	22' 0" e	19' 9" e	19' 8" e	19' 8" e	18' 4" e	18' 0" e	18' 0" e	17' 3" e	16' 8" e	16' 8" e	16' 4" e	15' 7" e	15' 7" e	15' 7" e
800S200-33	16	33	22' 0" e	22' 0" e	19' 9" e	19' 1" e	19' 1" e	17' 1" e	17' 1" e	16' 8" e	16' 9" e	16' 9" e	16' 9" e	15' 7" e	15' 7" e	15' 7" e	14' 5" e	14' 5" e	13' 6" e	13' 6" e
800S200-33	24	33	18' 0" e	18' 0" e	17' 3" e	15' 7" e	15' 7" e	15' 7" e	13' 11" e	13' 11" e	13' 11" e	12' 8" e	12' 8" e	12' 8" e	11' 9" e	11' 9" e	11' 9" e	11' 0" e	11' 0" e	11' 0" e
800S200-43	12	33	30' 7"	28' 1"	23' 8"	26' 5" e	25' 6" e	21' 6"	23' 8" e	23' 8" e	19' 11" e	21' 7" e	21' 7" e	18' 9" e	20' 0" e	20' 0" e	17' 10" e	18' 8" e	18' 8" e	17' 1" e
800S200-43	16	33	26' 5" e	25' 6" e	21' 6"	22' 11" e	22' 11" e	19' 6" e	20' 6" e	20' 6" e	18' 2" e	18' 8" e	18' 8" e	17' 1" e	17' 4" e	17' 4" e	16' 2" e	16' 2" e	16' 2" e	15' 6" e
800S200-43	24	33	21' 7" e	21' 7" e	18' 9" e	18' 8" e	18' 8" e	17' 1" e	16' 9" e	16' 9" e	15' 10" e	15' 3" e	15' 3" e	14' 11" e	14' 2" e	14' 2" e	14' 2" e	13' 3" e	13' 3" e	13' 3" e
800S200-54	12	33	34' 6"	30' 2"	25' 5"	31' 4"	27' 5"	23' 1"	28' 6"	25' 5"	21' 5"	26' 0" e	23' 11"	20' 2"	24' 1" e	22' 9" e	19' 2"	22' 6" e	21' 9" e	18' 4"
800S200-54	16	33	31' 4"	27' 5"	23' 1"	27' 7"	24' 10"	21' 0"	24' 8" e	23' 1" e	19' 6"	22' 6" e	21' 9" e	18' 4"	20' 10" e	20' 8" e	17' 5" e	19' 6" e	19' 6" e	16' 8" e
800S200-54	24	33	26' 0" e	23' 11"	20' 2"	22' 6" e	21' 9" e	18' 4"	20' 2" e	20' 2" e	17' 0" e	18' 4" e	18' 4" e	16' 0" e	17' 0" e	17' 0" e	15' 2" e	15' 11" e	15' 11" e	14' 7" e
800S200-54	12	50	34' 6"	30' 2"	25' 5"	31' 4"	27' 5"	23' 1"	29' 1"	25' 5"	21' 5"	27' 5"	23' 11"	20' 2"	26' 0" e	22' 9" e	19' 2"	24' 1" e	21' 9" e	18' 4"
800S200-54	16	50	31' 4"	27' 5"	23' 1"	28' 6"	24' 10"	21' 0"	26' 5"	23' 1"	19' 6"	24' 10"	21' 9"	18' 4"	23' 1"	20' 8"	17' 5"	21' 7" e	19' 9"	16' 8"
800S200-54	24	50	27' 5"	23' 11"	20' 2"	24' 10"	21' 9"	18' 4"	22' 4"	20' 2"	17' 0"	20' 5" e	19' 0"	16' 0"	18' 10" e	18' 0" e	15' 2"	17' 8" e	17' 3" e	14' 7" e
800S200-68	12	33	37' 1"	32' 4"	27' 4"	33' 8"	29' 5"	24' 10"	31' 3"	27' 4"	23' 0"	29' 5"	25' 8"	21' 8"	27' 11"	24' 5"	20' 7"	26' 5"	23' 4"	19' 8"
800S200-68	16	33	33' 8"	29' 5"	24' 10"	30' 7"	26' 9"	22' 6"	28' 5"	23' 4"	20' 11"	26' 5"	23' 4"	19' 8"	24' 5"	22' 2"	18' 4"	22' 10" e	21' 2"	17' 11"
800S200-68	24	33	29' 5"	25' 8"	21' 8"	26' 5"	23' 4"	19' 8"	23' 7" e	21' 8"	18' 3"	21' 7" e	20' 5" e	17' 2"	19' 11" e	19' 4" e	16' 4"	18' 8" e	18' 6" e	15' 7" e
800S200-68	12	50	37' 1"	32' 4"	27' 4"	33' 8"	29' 5"	24' 10"	31' 3"	27' 4"	23' 0"	29' 5"	25' 8"	21' 8"	27' 11"	24' 5"	20' 7"	26' 9"	23' 4"	19' 8"
800S200-68	16	50	33' 8"	29' 5"	24' 10"	30' 7"	26' 9"	22' 6"	28' 5"	23' 4"	20' 11"	26' 9"	23' 4"	19' 8"	25' 4"	22' 2"	18' 8"	24' 3"	21' 2"	17' 11"
800S200-68	24	50	29' 5"	25' 8"	21' 8"	26' 9"	23' 4"	19' 8"	24' 10"	21' 8"	18' 3"	23' 4"	20' 5"	17' 2"	22' 2"	19' 4"	16' 4"	21' 2" e	18' 6" e	15' 7" e
800S200-97	12	33	41' 2"	36' 0"	30' 4"	37' 5"	32' 8"	27' 7"	34' 9"	30' 4"	25' 7"	32' 8"	28' 7"	24' 1"	31' 1"	27' 2"	22' 11"	29' 9"	25' 11"	21' 11"
800S200-97	16	33	37' 5"	32' 8"	27' 7"	34' 0"	29' 9"	25' 1"	31' 7"	27' 7"	23' 3"	29' 9"	25' 11"	21' 11"	28' 3"	24' 8"	20' 10"	27' 0"	23' 7"	19' 11"
800S200-97	24	33	32' 8"	28' 7"	24' 1"	29' 9"	25' 11"	21' 11"	27' 7"	24' 1"	20' 4"	25' 11"	22' 8"	19' 1"	24' 8"	21' 6"	18' 2"	23' 4"	20' 7"	17' 5"
800S200-97	12	50	41' 2"	36' 0"	30' 4"	37' 5"	32' 8"	27' 7"	34' 9"	30' 4"	25' 7"	32' 8"	28' 7"	24' 1"	31' 1"	27' 2"	22' 11"	29' 9"	25' 11"	21' 11"
800S200-97	16	50	37' 5"	32' 8"	27' 7"	34' 0"	29' 9"	25' 1"	31' 7"	27' 7"	23' 3"	29' 9"	25' 11"	21' 11"	28' 3"	24' 8"	20' 10"	27' 0"	23' 7"	19' 11"
800S200-97	24	50	32' 8"	28' 7"	24' 1"	29' 9"	25' 11"	21' 11"	27' 7"	24' 1"	20' 4"	25' 11"	22' 8"	19' 1"	24' 8"	21' 6"	18' 2"	23' 7"	20' 7"	17' 5"
800S200-118	12	33	43' 8"	38' 2"	32' 2"	39' 8"	34' 8"	29' 3"	36' 10"	32' 2"	27' 1"	34' 8"	30' 3"	25' 6"	32' 11"	28' 9"	24' 3"	31' 6"	27' 6"	23' 2"
800S200-118	16	33	39' 8"	34' 8"	29' 3"	36' 0"	31' 6"	26' 7"	33' 5"	29' 3"	24' 8"	31' 6"	27' 6"	23' 2"	29' 11"	26' 1"	22' 0"	28' 7"	25' 0"	21' 1"
800S200-118	24	33	34' 8"	30' 3"	25' 6"	31' 6"	27' 6"	23' 2"	29' 3"	25' 6"	21' 6"	27' 6"	24' 0"	20' 3"	26' 1"	22' 10"	19' 3"	25' 0"	21' 10"	18' 5"
800S200-118	12	50	43' 8"	38' 2"	32' 2"	39' 8"	34' 8"	29' 3"	36' 10"	32' 2"	27' 1"	34' 8"	30' 3"	25' 6"	32' 11"	28' 9"	24' 3"	31' 6"	27' 6"	23' 2"
800S200-118	16	50	39' 8"	34' 8"	29' 3"	36' 0"	31' 6"	26' 7"	33' 5"	29' 3"	24' 8"	31' 6"	27' 6"	23' 2"	29' 11"	26' 1"	22' 0"	28' 7"	25' 0"	21' 1"
800S200-118	24	50	34' 8"	30' 3"	25' 6"	31' 6"	27' 6"	23' 2"	29' 3"	25' 6"	21' 6"	27' 6"	24' 0"	20' 3"	26' 1"	22' 10"	19' 3"	25' 0"	21' 10"	18' 5"
800S250-43	12	33	31' 4"	29' 3"	24' 8"	27' 1" e	26' 7" e	22' 5"	24' 3" e	24' 3" e	20' 10" e	22' 2" e	22' 2" e	19' 7" e	20' 6" e	20' 6" e	18' 7" e	19' 2" e	19' 2" e	17' 10" e
800S250-43	16	33	27' 1" e	26' 7" e	22' 5"	23' 6" e	23' 6" e	20' 4" e	21' 0" e	21' 0" e	18' 11" e	19' 2" e	19' 2" e	17' 10" e	17' 9" e	17' 9" e	16' 11" e	16' 7" e	16' 7" e	16' 2" e
800S250-43	24	33	22' 2" e	22' 2" e	19' 7" e	19' 2" e	19' 2" e	17' 10" e	17' 2" e	17' 2" e	16' 6" e	15' 8" e	15' 8" e	15' 7" e	14' 6" e	14' 6" e	14' 6" e	13' 7" e	13' 7" e	13' 7" e
800S250-54	12	33	36' 0"	31' 5"	26' 6"	31' 8"	28' 7"	24' 1"	28' 4"	26' 6"	22' 4"	25' 10" e	24' 11"	21' 1"	23' 11" e	23' 8" e	20' 0"	22' 5" e	22' 5" e	19' 1" e
800S250-54	16	33	31' 8"	28' 7"	24' 1"	27' 5"	25' 11"	21' 11"	24' 6" e	24' 1" e	20' 4"	22' 5" e	22' 5" e	19' 1" e	20' 9" e	20' 9" e	18' 2" e	19' 5" e	19' 5" e	17' 4" e
800S250-54	24	33	25' 10" e	24' 11"	21' 1"	22' 5" e	22' 5" e	19' 1" e	20' 0" e	20' 0" e	17' 9" e	18' 3" e	18' 3" e	16' 8" e	16' 11" e	16' 11" e	15' 10" e	15' 10" e	15' 10" e	15' 2" e
800S250-54	12	50	35' 10"	31' 4"	26' 5"	32' 7"	28' 5"	24' 0"	30' 3"	26' 5"	22' 3"	28' 5"	24' 10"	21' 0"	27' 0"	23' 7"	19' 11"	25' 7"	22' 7"	19' 1"
800S250-54	16	50	32' 7"	28' 5"	24' 0"	29' 7"	25' 10"	21' 10"	27' 6"	24' 0"	20' 3"	25' 7"	22' 7"	19' 1"	23' 8"	21' 5"	18' 1"	22' 1" e	20' 6"	17' 4"
800S250-54	24	50	28' 5"	24' 10"	21' 0"	25' 7"	22' 7"	19' 1"	22' 10"	21' 0"	17' 8"	20' 10" e	19' 9" e	16' 8"	19' 4" e	18' 9" e	15' 10"	18' 1" e	17' 11" e	15' 1" e
800S250-68	12	33	38' 8"	33' 9"	28' 6"	35' 2"	30' 8"	25' 11"	32' 7"	28' 6"	24' 0"	30' 8"	26' 10"	22' 7"	28' 10"	25' 6"	21' 6"	27' 0"	24' 4"	20' 7"
800S250-68	16	33	35' 2"	30' 8"	25' 11"	31' 11"	27' 11"	23' 6"	29' 7"	25' 11"	21' 10"	27' 0"	24' 4"	20' 7"	25' 0" e	23' 2"	19' 6"	23' 4" e	22' 2" e	18' 8"
800S250-68	24	33	30' 8"	26' 10"	22' 7"	27' 0"	24' 4"	20' 7"	24' 1" e	22' 7"	19' 1"	22' 0" e	21' 3" e	17' 11"	20' 5" e	20' 3" e	17' 1" e	19' 1" e	19' 1" e	16' 4" e
800S250-68	12	50	38' 8"	33' 9"	28' 6"	35' 1"	30' 8"	25' 10"	32' 7"	28' 6"	24' 0"	30' 8"	26' 10"	22' 7"	29' 2"	25' 5"	21' 6"	27' 10"	24' 4"	20' 6"
800S250-68	16	50	35' 1"	30' 8"	25' 10"	31' 11"	27' 10"	23' 6"	29' 7"	25' 10"	21' 10"									

Limiting Wall Heights - Curtain Wall/Single Span



Stud Member	Spacing, in, oc	Fy, ksi	15 psf			20 psf			25 psf			30 psf			35 psf			40 psf		
			L/240	L/360	L/600	L/240	L/360	L/600	L/240	L/360	L/600	L/240	L/360	L/600	L/240	L/360	L/600	L/240	L/360	L/600
800S300-54	12	33	37' 2"	32' 6"	27' 5"	32' 3"	29' 6"	24' 11"	28' 10"	27' 5"	23' 1"	26' 4" e	25' 10" e	21' 9"	24' 4" e	24' 4" e	20' 8"	22' 9" e	22' 9" e	19' 9" e
800S300-54	16	33	32' 3"	29' 6"	24' 11"	27' 11"	26' 10"	22' 8"	24' 11" e	24' 11" e	21' 0"	22' 9" e	22' 9" e	19' 9" e	21' 1" e	21' 1" e	18' 9" e	19' 9" e	19' 9" e	18' 0" e
800S300-54	24	33	26' 4" e	25' 10" e	21' 9"	22' 9" e	22' 9" e	19' 9" e	20' 5" e	20' 5" e	18' 4" e	18' 7" e	18' 7" e	17' 3" e	17' 3" e	17' 3" e	16' 5" e	16' 1" e	16' 1" e	15' 8" e
800S300-54	12	50	36' 7"	32' 0"	27' 0"	33' 3"	29' 1"	24' 6"	30' 11"	27' 0"	22' 9"	29' 1"	25' 5"	21' 5"	27' 7"	24' 1"	20' 4"	25' 11"	23' 1"	19' 5"
800S300-54	16	50	33' 3"	29' 1"	24' 6"	30' 3"	26' 5"	22' 3"	28' 1"	24' 6"	20' 8"	25' 11"	23' 1"	19' 5"	24' 0"	21' 11"	18' 6"	22' 5" e	20' 11"	17' 8"
800S300-54	24	50	29' 1"	25' 5"	21' 5"	25' 11"	23' 1"	19' 5"	23' 2" e	21' 5"	18' 1"	21' 2" e	20' 2" e	17' 0"	19' 7" e	19' 2" e	16' 2"	18' 4" e	18' 4" e	15' 5" e
800S300-68	12	33	40' 2"	35' 1"	29' 7"	36' 6"	31' 10"	26' 10"	33' 8"	29' 7"	24' 11"	30' 9"	27' 10"	23' 6"	28' 6"	26' 5"	22' 4"	26' 8"	25' 3"	21' 4"
800S300-68	16	33	36' 6"	31' 10"	26' 10"	32' 7"	28' 11"	24' 5"	29' 2"	26' 10"	22' 8"	26' 8"	25' 3"	21' 4"	24' 8"	24' 0"	20' 3"	23' 1" e	23' 0" e	19' 4"
800S300-68	24	33	30' 9"	27' 10"	23' 6"	26' 8"	25' 3"	21' 4"	23' 10" e	23' 6" e	19' 10"	21' 9" e	21' 9" e	18' 8"	20' 2" e	20' 2" e	17' 8" e	18' 10" e	18' 10" e	16' 11" e
800S300-68	12	50	39' 9"	34' 9"	29' 4"	36' 2"	31' 7"	26' 8"	33' 7"	29' 4"	24' 9"	31' 7"	27' 7"	23' 3"	30' 0"	26' 2"	22' 1"	28' 8"	25' 1"	21' 2"
800S300-68	16	50	36' 2"	31' 7"	26' 8"	32' 10"	28' 8"	24' 2"	30' 6"	26' 8"	22' 6"	28' 8"	25' 1"	21' 2"	27' 3"	23' 10"	20' 1"	26' 1"	22' 9"	19' 2"
800S300-68	24	50	31' 7"	27' 7"	23' 3"	28' 8"	25' 1"	21' 2"	26' 8"	23' 3"	19' 7"	24' 10"	21' 11"	18' 6"	23' 0"	20' 10"	17' 6"	21' 6"	19' 11"	16' 9"
800S300-97	12	33	44' 9"	39' 1"	33' 0"	40' 8"	35' 6"	30' 0"	37' 9"	33' 0"	27' 10"	35' 6"	31' 1"	26' 2"	33' 9"	29' 6"	24' 10"	32' 3"	28' 2"	23' 9"
800S300-97	16	33	40' 8"	35' 6"	30' 0"	37' 0"	32' 3"	27' 3"	34' 4"	30' 4"	25' 3"	32' 3"	28' 2"	23' 9"	30' 8"	26' 10"	22' 7"	28' 8"	25' 8"	21' 7"
800S300-97	24	33	35' 6"	31' 1"	26' 2"	32' 3"	28' 2"	23' 9"	30' 0"	26' 2"	22' 1"	28' 2"	24' 8"	20' 9"	26' 5"	23' 5"	19' 9"	24' 9"	22' 5"	18' 11"
800S300-97	12	50	44' 7"	38' 11"	32' 10"	40' 6"	35' 4"	29' 10"	37' 7"	32' 10"	27' 8"	35' 4"	30' 11"	26' 1"	33' 7"	29' 4"	24' 9"	32' 2"	28' 1"	23' 8"
800S300-97	16	50	40' 6"	35' 4"	29' 10"	36' 9"	32' 2"	27' 1"	34' 2"	29' 10"	25' 2"	32' 2"	28' 1"	23' 8"	30' 6"	26' 8"	22' 6"	29' 2"	25' 6"	21' 6"
800S300-97	24	50	35' 4"	30' 11"	26' 1"	32' 2"	28' 1"	23' 8"	29' 10"	26' 1"	22' 0"	28' 1"	24' 6"	20' 8"	26' 8"	23' 4"	19' 8"	25' 6"	22' 3"	18' 10"
800S300-118	12	33	47' 6"	41' 6"	35' 0"	43' 2"	37' 8"	31' 10"	40' 1"	35' 0"	29' 6"	37' 8"	32' 11"	27' 9"	35' 10"	31' 3"	26' 5"	34' 3"	29' 11"	25' 3"
800S300-118	16	33	43' 2"	37' 8"	31' 10"	39' 3"	34' 3"	28' 11"	36' 5"	31' 10"	26' 10"	34' 3"	29' 11"	25' 3"	32' 6"	28' 5"	24' 0"	31' 1"	27' 2"	22' 11"
800S300-118	24	33	37' 8"	32' 11"	27' 9"	34' 3"	29' 11"	25' 3"	31' 10"	27' 9"	23' 5"	29' 11"	26' 2"	22' 1"	28' 5"	24' 10"	20' 11"	27' 2"	23' 9"	20' 0"
800S300-118	12	50	47' 4"	41' 5"	34' 11"	43' 0"	37' 7"	31' 8"	39' 11"	34' 11"	29' 5"	37' 7"	32' 10"	27' 8"	35' 9"	31' 2"	26' 4"	34' 2"	29' 10"	25' 2"
800S300-118	16	50	43' 0"	37' 7"	31' 8"	39' 1"	34' 2"	28' 10"	36' 4"	31' 8"	26' 9"	34' 2"	29' 10"	25' 2"	32' 5"	28' 4"	23' 11"	31' 0"	27' 1"	22' 10"
800S300-118	24	50	37' 7"	32' 10"	27' 8"	34' 2"	29' 10"	25' 2"	31' 8"	27' 8"	23' 4"	29' 10"	26' 1"	22' 0"	28' 4"	24' 9"	20' 11"	27' 1"	23' 8"	20' 0"
800S350-54	12	33	39' 0"	34' 1"	28' 9"	35' 5"	30' 11"	26' 1"	31' 11" e	28' 9"	24' 3"	29' 2" e	27' 0" e	22' 9"	27' 0" e	25' 8" e	21' 8"	25' 3" e	24' 7" e	20' 8" e
800S350-54	16	33	35' 5"	30' 11"	26' 1"	30' 11" e	28' 1"	23' 8"	27' 8" e	26' 1" e	22' 0"	25' 3" e	24' 7" e	20' 8" e	23' 5" e	23' 4" e	19' 8" e	21' 11" e	21' 11" e	18' 10" e
800S350-54	24	33	29' 2" e	27' 0" e	22' 9"	25' 3" e	24' 7" e	20' 8" e	22' 7" e	22' 7" e	19' 3" e	20' 8" e	20' 8" e	18' 1" e	19' 1" e	19' 1" e	17' 2" e	17' 10" e	17' 10" e	16' 5" e
800S350-54	12	50	38' 7"	33' 8"	28' 5"	35' 1"	30' 7"	25' 10"	32' 6"	28' 5"	24' 0"	30' 7"	26' 9"	22' 7"	29' 1"	25' 5"	21' 5"	27' 10"	24' 4"	20' 6"
800S350-54	16	50	35' 1"	30' 7"	25' 10"	31' 10"	27' 10"	23' 6"	29' 7"	25' 10"	21' 9"	27' 10"	24' 4"	20' 6"	26' 5" e	23' 1"	19' 6"	24' 11" e	22' 1" e	18' 7"
800S350-54	24	50	30' 7"	26' 9"	22' 7"	27' 10"	24' 4"	20' 6"	25' 9" e	22' 7"	19' 0"	23' 6" e	21' 3" e	17' 11"	21' 9" e	20' 2" e	17' 0" e	20' 4" e	19' 3" e	16' 3" e
800S350-68	12	33	42' 3"	36' 10"	31' 1"	38' 4"	33' 6"	28' 3"	35' 7"	31' 1"	26' 3"	33' 6"	29' 3"	24' 8"	31' 5"	27' 10"	23' 5"	29' 5" e	26' 7"	22' 5"
800S350-68	16	33	38' 4"	33' 6"	28' 3"	34' 10"	30' 5"	25' 8"	32' 3"	28' 3"	23' 10"	29' 5" e	26' 7"	22' 5"	27' 3" e	25' 3" e	21' 4"	25' 6" e	24' 2" e	20' 5"
800S350-68	24	33	33' 6"	29' 3"	24' 8"	29' 5" e	26' 7"	22' 5"	26' 4" e	24' 8" e	20' 10"	24' 0" e	23' 3" e	19' 7" e	22' 3" e	22' 1" e	18' 7" e	20' 10" e	20' 10" e	17' 10" e
800S350-68	12	50	42' 1"	36' 9"	31' 0"	38' 2"	33' 5"	28' 2"	35' 6"	31' 0"	26' 2"	33' 5"	29' 2"	24' 7"	31' 8"	27' 8"	23' 4"	30' 4"	26' 6"	22' 4"
800S350-68	16	50	38' 2"	33' 5"	28' 2"	34' 9"	30' 4"	25' 7"	32' 3"	28' 2"	23' 9"	30' 4"	26' 6"	22' 4"	28' 10"	25' 2"	21' 3"	27' 7"	24' 1"	20' 4"
800S350-68	24	50	33' 5"	29' 2"	24' 7"	30' 4"	26' 6"	22' 4"	28' 2"	24' 7"	20' 9"	26' 6"	23' 2"	19' 6"	25' 2"	22' 0"	18' 6"	23' 10" e	21' 0"	17' 9"
800S350-97	12	33	47' 1"	41' 2"	34' 8"	42' 10"	37' 5"	31' 6"	39' 9"	34' 8"	29' 3"	37' 5"	32' 8"	27' 7"	35' 6"	31' 0"	26' 2"	34' 0"	29' 8"	25' 0"
800S350-97	16	33	42' 10"	37' 5"	31' 6"	38' 11"	34' 0"	28' 8"	36' 1"	31' 6"	26' 7"	34' 0"	29' 8"	25' 0"	32' 3"	28' 2"	23' 9"	30' 10"	27' 0"	22' 9"
800S350-97	24	33	37' 5"	32' 8"	27' 7"	34' 0"	29' 8"	25' 0"	31' 6"	27' 7"	23' 3"	29' 8"	25' 11"	21' 10"	28' 2"	24' 7"	20' 9"	27' 0"	23' 7"	19' 10"
800S350-97	12	50	47' 1"	41' 2"	34' 8"	42' 10"	37' 5"	31' 6"	39' 9"	34' 8"	29' 3"	37' 5"	32' 8"	27' 7"	35' 6"	31' 0"	26' 2"	34' 0"	29' 8"	25' 0"
800S350-97	16	50	42' 10"	37' 5"	31' 6"	38' 11"	34' 0"	28' 8"	36' 1"	31' 6"	26' 7"	34' 0"	29' 8"	25' 0"	32' 3"	28' 2"	23' 9"	30' 10"	27' 0"	22' 9"
800S350-97	24	50	37' 5"	32' 8"	27' 7"	34' 0"	29' 8"	25' 0"	31' 6"	27' 7"	23' 3"	29' 8"	25' 11"	21' 10"	28' 2"	24' 7"	20' 9"	27' 0"	23' 7"	19' 10"
800S350-118	12	33	50' 0"	43' 8"	36' 10"	45' 5"	39' 8"	33' 6"	42' 2"	36' 10"	31' 1"	39' 8"	34' 8"	29' 3"	37' 9"	32' 11"	27' 9"	36' 1"	31' 6"	26' 7"
800S350-118	16	33	45' 5"	39' 8"	33' 6"	41' 3"	36' 1"	30' 5"	38' 4"	33' 6"	28' 3"	36' 1"	31' 6"	26' 7"	34' 3"	29' 11"	25' 3"	32' 9"	28' 8"	24' 2"
800S350-118	24	33	39' 8"	34' 8"	29' 3"	36' 1"	31' 6"	26' 7"	33' 6"	29' 3"	24' 8"	31' 6"	27' 6"	23' 3"	29' 11"	26' 2"	22' 1"	28' 8"	25' 0"	21' 1"
800S350-118	12	50	50' 0"	43' 8"	36' 10"	45' 5"	39' 8"	33' 6"	42' 2"	36' 10"	31' 1"	39' 8"	34' 8"	29' 3"	37' 9"	32' 11"	27' 9"	36' 1"	31' 6"	26' 7"
800S350-118	16	50	45' 5"	39' 8"	33' 6"	41' 3"	36' 1"	30' 5"	38' 4"	33' 6"	28' 3"	36' 1"	31' 6"	26' 7"	34' 3"	29' 11"	25' 3"	32' 9"	28' 8"	24' 2"
800S350-118	24	50	39' 8"	34' 8"	29' 3"	36' 1"	31' 6"	26' 7"	33' 6"	29' 3"	24' 8"	31' 6"	27' 6"	23' 3"	29' 11"	26' 2"	22' 1"	28' 8"	25' 0"	21' 1"

See Curtain Wall Limiting Heights Table Notes on page 22.

Combined Axial and Lateral Load Table Notes

1. Allowable axial loads listed in kips (1 kip = 1000 pounds).
2. Allowable axial loads determined in accordance with AISI S240-15, assuming that all axial loads pass through the geometric center of the section
3. Listed lateral pressures and axial loads have not been modified for 1/3 stress increase based on wind/earthquake or multiple transient loads.
4. Allowable axial loads based on lateral and torsional bracing at a maximum spacing of 4 feet on center.
5. The 5 psf live load has not been reduced for deflection checks. For 15 psf or higher wind pressure, read the note below.

IBC 2018/ASCE 7-10: Due to the change in the model building codes, design wind pressures determined using IBC 2012/ASCE 7-10 are strength level loads (LRFD) in comparison to those determined in earlier IBC codes which were service level loads (ASD). The load/span tables that follow are based on service level (ASD) wind loads. Therefore, to properly use the load/span tables in this catalog, multiply the IBC 2012/ASCE 7-10 design wind pressures by 0.6 (Reference section 2.4 ASCE 7-10) prior to entering the load/span tables.

- Example:

* ASCE 7-10 Calculated Design Wind Pressure = 25 psf (Strength level loads, LRFD)

* Convert to service level loads (ASD) = 25 psf x 0.6 = 15 psf

* Use 15 psf as the Pressure Value used in this Table to determine the member span

Any Other Building Code: The load/span tables that follow are based on service level (ASD) wind loads. If the wind load being used meets this criterion, it does not need to be modified prior to using the tables.

6. Studs are assumed to be adequately braced at a maximum spacing of L_u to develop full allowable moment, M_u .
7. End supports have not been checked for web crippling. Refer to web crippling capacity tables.
8. All tables are based on simple (single) span.
9. Cells marked with an " * " have $h/t > 200$, thus require bearing stiffeners. Cells are left blank when $h/t > 260$.
10. Cells marked with an a, b, c, d, e or f meets L/720, L/600, L/480, L/360, L/240, or L/120 respectively. Blank cells do not meet L/120.
11. Stud distortional buckling moment based on assumed $K\phi = 0$
12. Moment of inertia for deflection is optimized based on the maximum moment at service loads for the listed spans; therefore span values may be greater than spans based on effective moment of inertia listed in section property tables

Combined Axial and Lateral Load Tables



5 psf Lateral Load (Interior Walls Only)

Wall Height (ft)	Spacing (in.) o.c.	350S162-(mils)					362S137-(mils)				362S162-(mils)				
		33 ksi		50 ksi			33 ksi		50 ksi		33 ksi		50 ksi		
		33	43	54	68	97	33	43	54	68	33	43	54	68	97
8	12	1.81 a	2.56 a	3.97 a	5.08 a	7.44 a	1.49 a	2.14 a	3.32 a	4.37 a	1.87 a	2.65 a	4.15 a	5.38 a	7.87 a
	16	1.74 a	2.48 a	3.9 a	5.01 a	7.36 a	1.42 a	2.07 a	3.26 a	4.3 a	1.8 a	2.57 a	4.08 a	5.31 a	7.79 a
	24	1.58 a	2.32 a	3.76 a	4.87 a	7.21 a	1.29 a	1.93 a	3.13 a	4.17 a	1.65 a	2.42 a	3.94 a	5.17 a	7.63 a
9	12	1.67 a	2.38 a	3.65 a	4.67 a	6.83 a	1.38 a	2.01 a	3.11 a	4.07 a	1.74 a	2.48 a	3.86 a	4.99 a	7.28 a
	16	1.57 a	2.28 a	3.56 a	4.58 a	6.74 a	1.3 a	1.92 a	3.02 a	3.99 a	1.64 a	2.38 a	3.77 a	4.9 a	7.18 a
	24	1.39 a	2.09 a	3.39 a	4.41 a	6.54 a	1.13 a	1.74 a	2.87 a	3.82 a	1.46 a	2.19 a	3.6 a	4.72 a	6.98 a
10	12	1.51 a	2.18 a	3.29 a	4.23 a	6.17 a	1.26 a	1.85 a	2.85 a	3.73 a	1.58 a	2.29 a	3.53 a	4.55 a	6.62 a
	16	1.4 a	2.07 a	3.19 a	4.12 a	6.05 a	1.16 a	1.74 a	2.75 a	3.63 a	1.47 a	2.17 a	3.42 a	4.44 a	6.5 a
	24	1.19 a	1.84 a	2.99 a	3.92 a	5.83 a	0.96 a	1.54 a	2.57 a	3.44 a	1.26 a	1.95 a	3.22 a	4.23 a	6.27 a
12	12	1.18 a	1.75 a	2.56 a	3.31 a	4.8 a	0.99 a	1.51 a	2.27 a	2.97 a	1.25 a	1.87 a	2.79 a	3.6 a	5.23 a
	16	1.04 b	1.61 a	2.44 a	3.18 a	4.66 a	0.86 b	1.37 a	2.15 a	2.85 a	1.11 a	1.72 a	2.66 a	3.47 a	5.08 a
	24	0.79 d	1.34 c	2.21 a	2.94 a	4.39 a	0.63 d	1.12 c	1.93 b	2.62 a	0.86 c	1.44 b	2.42 a	3.22 a	4.8 a
14	12	0.86 c	1.33 a	1.95 a	2.54 a	3.68 a	0.72 c	1.15 b	1.75 a	2.3 a	0.93 b	1.44 a	2.14 a	2.78 a	4.03 a
	16	0.71 d	1.17 c	1.82 b	2.4 a	3.53 a	0.59 d	1 c	1.62 b	2.16 a	0.78 d	1.28 b	2 a	2.64 a	3.87 a
	24	0.46 e	0.89 d	1.58 d	2.16 c	3.25 a	0.34 e	0.73 e	1.39 d	1.92 c	0.52 e	0.99 d	1.75 c	2.38 b	3.58 a
16	12	0.59 d	0.96 c	1.48 b	1.95 a	2.84 a	0.49 d	0.83 d	1.33 c	1.76 b	0.65 d	1.06 c	1.63 b	2.14 a	3.12 a
	16	0.45 e	0.8 d	1.35 d	1.81 c	2.69 a	0.36 e	0.68 e	1.2 d	1.63 c	0.51 e	0.9 d	1.49 c	2 b	2.96 a
	24	0.21 f	0.54 e	1.12 e	1.57 d	2.41 c	0.12 f	0.42 f	0.97 e	1.38 e	0.25 f	0.61 e	1.25 e	1.74 d	2.67 c

5 psf Lateral Load (Interior Walls Only)

Wall Height (ft)	Spacing (in.) o.c.	362S200-(mils)					400S137-(mils)				400S162-(mils)				
		33 ksi		50 ksi			33 ksi		50 ksi		33 ksi		50 ksi		
		33	43	54	68	97	33	43	54	68	33	43	54	68	97
8	12	2.25 a	3.28 a	5.18 a	6.68 a	9.54 a	1.61 a	2.31 a	3.67 a	4.98 a	2.03 a	2.87 a	4.62 a	6.18 a	9.08 a
	16	2.17 a	3.2 a	5.1 a	6.6 a	9.46 a	1.55 a	2.25 a	3.61 a	4.91 a	1.96 a	2.8 a	4.55 a	6.11 a	9.01 a
	24	2.01 a	3.03 a	4.94 a	6.45 a	9.3 a	1.42 a	2.12 a	3.49 a	4.79 a	1.82 a	2.65 a	4.42 a	5.97 a	8.86 a
9	12	2.1 a	3.07 a	4.79 a	6.17 a	8.81 a	1.52 a	2.2 a	3.49 a	4.79 a	1.91 a	2.72 a	4.37 a	5.85 a	8.56 a
	16	2 a	2.96 a	4.69 a	6.07 a	8.71 a	1.44 a	2.12 a	3.42 a	4.7 a	1.82 a	2.63 a	4.28 a	5.76 a	8.46 a
	24	1.8 a	2.76 a	4.49 a	5.88 a	8.51 a	1.28 a	1.95 a	3.26 a	4.54 a	1.65 a	2.45 a	4.11 a	5.59 a	8.27 a
10	12	1.93 a	2.84 a	4.37 a	5.61 a	8.02 a	1.41 a	2.07 a	3.28 a	4.49 a	1.77 a	2.56 a	4.07 a	5.47 a	7.95 a
	16	1.81 a	2.71 a	4.25 a	5.49 a	7.9 a	1.31 a	1.97 a	3.19 a	4.38 a	1.67 a	2.45 a	3.97 a	5.36 a	7.83 a
	24	1.57 a	2.47 a	4.01 a	5.27 a	7.66 a	1.12 a	1.77 a	3 a	4.18 a	1.46 a	2.23 a	3.77 a	5.14 a	7.6 a
12	12	1.56 a	2.32 a	3.45 a	4.44 a	6.36 a	1.16 a	1.76 a	2.77 a	3.75 a	1.46 a	2.17 a	3.41 a	4.54 a	6.58 a
	16	1.4 a	2.16 a	3.3 a	4.3 a	6.21 a	1.03 a	1.62 a	2.64 a	3.61 a	1.32 a	2.02 a	3.27 a	4.39 a	6.42 a
	24	1.11 c	1.86 a	3.03 a	4.03 a	5.92 a	0.79 c	1.36 b	2.4 a	3.35 a	1.06 b	1.74 a	3.01 a	4.12 a	6.11 a
14	12	1.18 a	1.81 a	2.64 a	3.43 a	4.94 a	0.9 b	1.41 a	2.22 a	2.96 a	1.14 a	1.75 a	2.71 a	3.57 a	5.17 a
	16	1.01 c	1.63 b	2.48 a	3.28 a	4.77 a	0.75 c	1.25 b	2.08 a	2.8 a	0.98 c	1.58 a	2.55 a	3.41 a	4.99 a
	24	0.7 d	1.31 d	2.19 c	2.99 a	4.46 a	0.49 e	0.96 d	1.81 c	2.52 b	0.7 d	1.26 c	2.27 b	3.11 a	4.66 a
16	12	0.84 c	1.36 b	2.01 a	2.66 a	3.85 a	0.65 d	1.08 c	1.74 a	2.3 a	0.84 c	1.35 b	2.12 a	2.78 a	4.04 a
	16	0.67 d	1.18 c	1.86 c	2.5 a	3.68 a	0.5 e	0.91 d	1.59 c	2.14 b	0.68 d	1.17 c	1.96 b	2.61 a	3.85 a
	24	0.38 e	0.86 e	1.58 d	2.21 c	3.37 b	0.23 f	0.61 e	1.32 d	1.86 d	0.39 e	0.85 e	1.67 d	2.31 c	3.52 b

See Combined Axial and Lateral Load Table Notes on page 33.

Combined Axial and Lateral Load Tables



5 psf Lateral Load (Interior Walls Only)

Wall Height (ft)	Spacing (in.) o.c.	400S200-(mils)					550S162-(mils)					600S137-(mils)				
		33 ksi		50 ksi			33 ksi		50 ksi			33 ksi		50 ksi		
		33	43	54	68	97	33	43	54	68	97	33	43	54	68	97
8	12	2.42 a	3.55 a	5.77 a	7.63 a	11.03 a	2.39 a	3.38 a	5.63 a	7.46 a	11.33 a	1.77 a	2.51 a	3.81 a	5.05 a	7.56 a
	16	2.34 a	3.48 a	5.7 a	7.56 a	10.95 a	2.34 a	3.33 a	5.58 a	7.41 a	11.28 a	1.73 a	2.47 a	3.78 a	5.02 a	7.53 a
	24	2.19 a	3.32 a	5.54 a	7.41 a	10.8 a	2.24 a	3.23 a	5.49 a	7.32 a	11.2 a	1.65 a	2.39 a	3.72 a	4.96 a	7.48 a
9	12	2.28 a	3.37 a	5.43 a	7.19 a	10.36 a	2.32 a	3.31 a	5.55 a	7.41 a	11.28 a	1.74 a	2.47 a	3.78 a	5.02 a	7.54 a
	16	2.19 a	3.27 a	5.33 a	7.1 a	10.26 a	2.26 a	3.24 a	5.49 a	7.36 a	11.23 a	1.69 a	2.43 a	3.74 a	4.98 a	7.5 a
	24	2 a	3.08 a	5.14 a	6.91 a	10.06 a	2.13 a	3.12 a	5.38 a	7.24 a	11.11 a	1.59 a	2.33 a	3.66 a	4.9 a	7.43 a
10	12	2.13 a	3.16 a	5.04 a	6.7 a	9.61 a	2.25 a	3.22 a	5.41 a	7.35 a	11.23 a	1.7 a	2.44 a	3.75 a	4.99 a	7.51 a
	16	2.01 a	3.04 a	4.92 a	6.58 a	9.48 a	2.16 a	3.14 a	5.34 a	7.27 a	11.15 a	1.63 a	2.37 a	3.7 a	4.94 a	7.46 a
	24	1.79 a	2.81 a	4.69 a	6.35 a	9.24 a	2 a	2.99 a	5.19 a	7.12 a	11 a	1.51 a	2.25 a	3.59 a	4.84 a	7.37 a
12	12	1.79 a	2.69 a	4.19 a	5.57 a	7.97 a	2.05 a	3 a	5.04 a	6.87 a	11.04 a	1.6 a	2.34 a	3.67 a	4.91 a	7.43 a
	16	1.63 a	2.53 a	4.03 a	5.41 a	7.8 a	1.93 a	2.89 a	4.93 a	6.76 a	10.91 a	1.51 a	2.25 a	3.59 a	4.83 a	7.36 a
	24	1.35 a	2.22 a	3.74 a	5.11 a	7.48 a	1.71 a	2.68 a	4.71 a	6.54 a	10.66 a	1.33 a	2.07 a	3.43 a	4.67 a	7.22 a
14	12	1.43 a	2.19 a	3.32 a	4.39 a	6.3 a	1.81 a	2.72 a	4.54 a	6.23 a	10 a	1.48 a	2.22 a	3.55 a	4.79 a	7.32 a
	16	1.25 b	2 a	3.14 a	4.21 a	6.12 a	1.66 a	2.57 a	4.39 a	6.07 a	9.83 a	1.36 a	2.09 a	3.44 a	4.67 a	7.22 a
	24	0.92 d	1.65 b	2.82 a	3.88 a	5.76 a	1.37 a	2.29 a	4.11 a	5.78 a	9.49 a	1.11 a	1.85 a	3.21 a	4.45 a	7.02 a
16	12	1.07 b	1.71 a	2.6 a	3.42 a	4.95 a	1.53 a	2.39 a	3.95 a	5.45 a	8.76 a	1.34 a	2.07 a	3.4 a	4.63 a	7.17 a
	16	0.89 d	1.51 b	2.41 a	3.24 a	4.76 a	1.35 a	2.2 a	3.77 a	5.26 a	8.54 a	1.18 a	1.9 a	3.24 a	4.47 a	7.02 a
	24	0.56 e	1.16 d	2.09 c	2.91 b	4.4 a	1.02 c	1.87 a	3.43 a	4.91 a	8.12 a	0.87 c	1.59 a	2.95 a	4.16 a	6.73 a

5 psf Lateral Load (Interior Walls Only)

Wall Height (ft)	Spacing (in.) o.c.	600S162-(mils)					600S200-(mils)					800S137-(mils)				
		33 ksi		50 ksi			33 ksi		50 ksi			33 ksi		50 ksi		
		33	43	54	68	97	33	43	54	68	97	33	43	54	68	97
8	12	2.42 a	3.39 a	5.61 a	7.45 a	11.4 a	2.86 a	4.31 a	7.46 a	9.97 a	15.65 a	1.71 a*	2.43 a	3.57 a	4.75 a	7.23 a
	16	2.37 a	3.35 a	5.57 a	7.41 a	11.36 a	2.81 a	4.26 a	7.41 a	9.92 a	15.6 a	1.68 a*	2.4 a	3.55 a	4.73 a	7.21 a
	24	2.28 a	3.27 a	5.49 a	7.33 a	11.29 a	2.72 a	4.16 a	7.31 a	9.83 a	15.51 a	1.63 a*	2.35 a	3.5 a	4.68 a	7.17 a
9	12	2.38 a	3.36 a	5.57 a	7.41 a	11.36 a	2.8 a	4.23 a	7.31 a	9.79 a	15.39 a	1.69 a*	2.4 a	3.55 a	4.73 a	7.21 a
	16	2.32 a	3.3 a	5.52 a	7.36 a	11.31 a	2.74 a	4.16 a	7.25 a	9.73 a	15.33 a	1.65 a*	2.37 a	3.52 a	4.7 a	7.19 a
	24	2.2 a	3.19 a	5.42 a	7.26 a	11.22 a	2.62 a	4.03 a	7.12 a	9.61 a	15.2 a	1.58 a*	2.3 a	3.47 a	4.65 a	7.14 a
10	12	2.33 a	3.31 a	5.53 a	7.37 a	11.32 a	2.73 a	4.13 a	7.14 a	9.58 a	15.07 a	1.66 a*	2.38 a	3.53 a	4.71 a	7.2 a
	16	2.25 a	3.24 a	5.46 a	7.3 a	11.26 a	2.65 a	4.05 a	7.05 a	9.5 a	14.99 a	1.62 a*	2.34 a	3.49 a	4.68 a	7.16 a
	24	2.1 a	3.11 a	5.33 a	7.17 a	11.13 a	2.5 a	3.88 a	6.89 a	9.34 a	14.83 a	1.53 a*	2.26 a	3.43 a	4.61 a	7.1 a
12	12	2.17 a	3.15 a	5.35 a	7.25 a	11.2 a	2.55 a	3.88 a	6.67 a	9 a	14.21 a	1.6 a*	2.32 a	3.48 a	4.66 a	7.15 a
	16	2.06 a	3.05 a	5.25 a	7.15 a	11.1 a	2.44 a	3.76 a	6.55 a	8.89 a	14.09 a	1.54 a*	2.26 a	3.43 a	4.61 a	7.1 a
	24	1.85 a	2.85 a	5.05 a	6.95 a	10.89 a	2.22 a	3.52 a	6.31 a	8.66 a	13.85 a	1.41 a*	2.14 a	3.33 a	4.52 a	7.01 a
14	12	1.95 a	2.91 a	4.93 a	6.77 a	10.96 a	2.32 a	3.56 a	6.07 a	8.26 a	13.08 a	1.53 a*	2.25 a	3.42 a	4.6 a	7.09 a
	16	1.81 a	2.78 a	4.8 a	6.63 a	10.8 a	2.17 a	3.4 a	5.91 a	8.1 a	12.91 a	1.44 a*	2.16 a	3.35 a	4.53 a	7.03 a
	24	1.54 a	2.51 a	4.53 a	6.35 a	10.49 a	1.89 a	3.09 a	5.59 a	7.79 a	12.58 a	1.27 a*	2 a	3.21 a	4.4 a	6.9 a
16	12	1.71 a	2.62 a	4.41 a	6.1 a	9.89 a	2.05 a	3.18 a	5.38 a	7.38 a	11.74 a	1.44 a*	2.16 a	3.34 a	4.53 a	7.02 a
	16	1.53 a	2.45 a	4.24 a	5.91 a	9.68 a	1.87 a	2.98 a	5.18 a	7.17 a	11.52 a	1.32 a*	2.05 a	3.25 a	4.44 a	6.93 a
	24	1.2 b	2.12 a	3.91 a	5.57 a	9.28 a	1.52 a	2.61 a	4.79 a	6.79 a	11.09 a	1.1 a*	1.83 a	3.06 a	4.26 a	6.75 a

See Combined Axial and Lateral Load Table Notes on page 33.

Combined Axial and Lateral Load Tables



5 psf Lateral Load (Interior Walls Only)

Wall Height (ft)	Spacing (in.) o.c.	800S162-(mils)					800S200-(mils)				
		33 ksi		50 ksi			33 ksi		50 ksi		
		33	43	54	68	97	33	43	54	68	97
8	12	2.39 a*	3.35 a	5.43 a	7.25 a	11.26 a	2.97 a*	4.47 a	7.74 a	10.29 a	15.98 a
	16	2.36 a*	3.32 a	5.4 a	7.22 a	11.24 a	2.93 a*	4.44 a	7.71 a	10.25 a	15.95 a
	24	2.29 a*	3.26 a	5.35 a	7.16 a	11.18 a	2.86 a*	4.36 a	7.64 a	10.19 a	15.89 a
9	12	2.37 a*	3.33 a	5.41 a	7.22 a	11.24 a	2.94 a*	4.44 a	7.71 a	10.26 a	15.95 a
	16	2.32 a*	3.29 a	5.37 a	7.19 a	11.21 a	2.89 a*	4.39 a	7.67 a	10.21 a	15.91 a
	24	2.24 a*	3.21 a	5.3 a	7.12 a	11.14 a	2.8 a*	4.3 a	7.57 a	10.13 a	15.83 a
10	12	2.33 a*	3.3 a	5.38 a	7.2 a	11.21 a	2.9 a*	4.41 a	7.68 a	10.22 a	15.92 a
	16	2.28 a*	3.25 a	5.34 a	7.15 a	11.17 a	2.85 a*	4.35 a	7.62 a	10.17 a	15.87 a
	24	2.18 a*	3.15 a	5.24 a	7.06 a	11.08 a	2.73 a*	4.23 a	7.5 a	10.06 a	15.77 a
12	12	2.26 a*	3.22 a	5.31 a	7.13 a	11.15 a	2.82 a*	4.32 a	7.59 a	10.14 a	15.84 a
	16	2.18 a*	3.15 a	5.24 a	7.06 a	11.08 a	2.74 a*	4.23 a	7.5 a	10.06 a	15.76 a
	24	2.03 a*	3 a	5.11 a	6.93 a	10.95 a	2.57 a*	4.06 a	7.32 a	9.9 a	15.61 a
14	12	2.17 a*	3.13 a	5.22 a	7.04 a	11.06 a	2.69 a*	4.16 a	7.36 a	9.96 a	15.73 a
	16	2.06 a*	3.03 a	5.13 a	6.95 a	10.96 a	2.58 a*	4.04 a	7.24 a	9.84 a	15.61 a
	24	1.85 a*	2.83 a	4.94 a	6.76 a	10.77 a	2.35 a*	3.8 a	6.99 a	9.61 a	15.38 a
16	12	2.05 a*	3.02 a	5.11 a	6.93 a	10.94 a	2.52 a*	3.93 a	6.95 a	9.46 a	15.15 a
	16	1.92 a*	2.89 a	4.98 a	6.8 a	10.81 a	2.37 a*	3.77 a	6.78 a	9.3 a	15 a
	24	1.64 a*	2.62 a	4.72 a	6.54 a	10.54 a	2.09 a*	3.46 a	6.46 a	9 a	14.68 a

See Combined Axial and Lateral Load Table Notes on page 33.

Combined Axial and Lateral Load Tables



15 psf Lateral Load															
Wall Height (ft)	Spacing (in.) o.c.	350S162-(mils)					362S137-(mils)				362S162-(mils)				
		33 ksi		50 ksi			33 ksi		50 ksi		33 ksi		50 ksi		
		33	43	54	68	97	33	43	54	68	33	43	54	68	97
8	12	1.37 a	2.1 a	3.55 a	4.66 a	6.98 a	1.09 a	1.72 a	2.95 a	3.98 a	1.44 a	2.2 a	3.74 a	4.96 a	7.41 a
	16	1.16 a	1.89 a	3.36 a	4.46 a	6.76 a	0.91 a	1.53 a	2.77 a	3.79 a	1.23 a	1.99 a	3.55 a	4.76 a	7.19 a
	24	0.78 a	1.49 a	2.99 a	4.08 a	6.34 a	0.56 b	1.16 a	2.43 a	3.44 a	0.85 a	1.59 a	3.17 a	4.38 a	6.76 a
9	12	1.13 a	1.82 a	3.14 a	4.16 a	6.27 a	0.9 a	1.49 a	2.64 a	3.59 a	1.21 a	1.93 a	3.35 a	4.47 a	6.7 a
	16	0.9 a	1.57 a	2.91 a	3.92 a	6 a	0.68 a	1.26 a	2.43 a	3.37 a	0.97 a	1.67 a	3.12 a	4.23 a	6.43 a
	24	0.46 c	1.11 b	2.48 a	3.48 a	5.5 a	0.28 c	0.83 b	2.03 a	2.94 a	0.53 c	1.21 a	2.68 a	3.77 a	5.92 a
10	12	0.9 a	1.53 a	2.71 a	3.63 a	5.51 a	0.7 b	1.25 a	2.31 a	3.16 a	0.97 a	1.64 a	2.93 a	3.94 a	5.95 a
	16	0.64 c	1.25 a	2.45 a	3.37 a	5.21 a	0.46 c	0.99 b	2.07 a	2.91 a	0.7 b	1.36 a	2.67 a	3.66 a	5.64 a
	24	0.17 d	0.74 c	1.99 b	2.88 a	4.65 a	0.02 e	0.51 d	1.62 c	2.44 b	0.23 d	0.84 c	2.18 b	3.15 a	5.06 a
12	12	0.47 d	0.98 c	1.9 b	2.62 a	4.03 a	0.33 d	0.78 c	1.63 b	2.3 a	0.53 d	1.08 b	2.1 a	2.88 a	4.43 a
	16	0.18 e	0.67 d	1.62 c	2.33 b	3.7 a	0.06 e	0.48 d	1.36 c	2.02 b	0.24 e	0.76 d	1.8 c	2.58 b	4.08 a
	24		0.13 e	1.13 e	1.81 d	3.11 c			0.89 e	1.51 d		0.2 e	1.29 d	2.03 d	3.46 b
14	12	0.13 e	0.53 e	1.27 d	1.83 c	2.89 a	0.03 e	0.38 e	1.08 d	1.6 c	0.18 e	0.61 d	1.42 d	2.03 c	3.19 a
	16		0.22 e	1 e	1.54 d	2.56 c		0.08 e	0.82 e	1.31 d		0.29 e	1.13 e	1.73 d	2.85 c
	24		0.53 f	1.04 e	1.99 d				0.35 f	0.82 e			0.64 f	1.2 e	2.24 d
16	12		0.2 f	0.82 e	1.25 d	2.06 c		0.09 f	0.68 e	1.07 e		0.26 e	0.93 e	1.41 d	2.29 c
	16			0.57 f	0.98 e	1.75 d			0.42 f	0.8 e			0.66 f	1.12 e	1.96 d
	24			0.13 f	0.51 f	1.21 e				0.34 f			0.19 f	0.62 f	1.39 e

15 psf Lateral Load															
Wall Height (ft)	Spacing (in.) o.c.	362S200-(mils)					400S137-(mils)				400S162-(mils)				
		33 ksi		50 ksi			33 ksi		50 ksi		33 ksi		50 ksi		
		33	43	54	68	97	33	43	54	68	33	43	54	68	97
8	12	1.77 a	2.79 a	4.71 a	6.22 a	9.07 a	1.24 a	1.92 a	3.32 a	4.6 a	1.62 a	2.45 a	4.22 a	5.77 a	8.64 a
	16	1.55 a	2.56 a	4.49 a	6 a	8.84 a	1.06 a	1.74 a	3.14 a	4.42 a	1.42 a	2.25 a	4.03 a	5.57 a	8.42 a
	24	1.13 a	2.13 a	4.06 a	5.58 a	8.4 a	0.72 a	1.38 a	2.81 a	4.06 a	1.05 a	1.86 a	3.67 a	5.18 a	7.99 a
9	12	1.51 a	2.47 a	4.21 a	5.6 a	8.22 a	1.05 a	1.71 a	3.04 a	4.3 a	1.4 a	2.2 a	3.87 a	5.33 a	7.99 a
	16	1.25 a	2.19 a	3.94 a	5.34 a	7.94 a	0.84 a	1.49 a	2.83 a	4.07 a	1.17 a	1.95 a	3.64 a	5.08 a	7.71 a
	24	0.76 b	1.68 a	3.44 a	4.84 a	7.41 a	0.44 b	1.06 a	2.43 a	3.63 a	0.73 b	1.49 a	3.2 a	4.6 a	7.19 a
10	12	1.25 a	2.13 a	3.69 a	4.95 a	7.32 a	0.86 a	1.49 a	2.74 a	3.89 a	1.17 a	1.93 a	3.48 a	4.83 a	7.26 a
	16	0.95 a	1.82 a	3.38 a	4.64 a	7 a	0.62 b	1.22 a	2.49 a	3.62 a	0.9 a	1.64 a	3.21 a	4.54 a	6.93 a
	24	0.42 c	1.25 b	2.83 a	4.09 a	6.4 a	0.17 d	0.74 c	2.03 b	3.11 a	0.41 c	1.12 b	2.7 a	3.99 a	6.33 a
12	12	0.74 c	1.46 a	2.66 a	3.66 a	5.52 a	0.48 c	1.01 b	2.08 a	2.99 a	0.72 b	1.37 a	2.65 a	3.73 a	5.69 a
	16	0.41 d	1.11 c	2.32 b	3.32 a	5.16 a	0.19 d	0.7 c	1.78 b	2.67 a	0.41 d	1.03 c	2.33 b	3.38 a	5.3 a
	24		0.49 d	1.73 d	2.72 c	4.49 a		0.14 e	1.26 d	2.09 c		0.43 d	1.75 d	2.76 c	4.6 a
14	12	0.32 e	0.9 d	1.82 c	2.61 b	4.05 a	0.15 e	0.58 d	1.46 c	2.15 b	0.33 d	0.86 c	1.89 c	2.7 a	4.21 a
	16		0.54 e	1.49 d	2.28 c	3.68 b		0.25 e	1.15 d	1.82 d	0.01 e	0.5 d	1.56 d	2.35 c	3.81 a
	24			0.92 e	1.69 e	3.03 d			0.62 e	1.24 e			0.98 e	1.73 d	3.11 c
16	12	0.01 f	0.46 e	1.22 d	1.85 d	2.97 b		0.23 e	0.97 e	1.49 d	0.03 e	0.44 e	1.3 d	1.92 c	3.08 b
	16		0.12 f	0.91 e	1.53 e	2.61 d			0.67 e	1.17 e		0.09 e	0.97 e	1.58 d	2.7 c
	24			0.38 f	0.98 f	1.99 e			0.16 f	0.62 f			0.42 f	0.98 e	2.03 e

See Combined Axial and Lateral Load Table Notes on page 33.

Combined Axial and Lateral Load Tables



15 psf Lateral Load

Wall Height (ft)	Spacing (in.) o.c.	400S200-(mils)					550S162-(mils)					600S137-(mils)				
		33 ksi		50 ksi			33 ksi		50 ksi			33 ksi		50 ksi		
		33	43	54	68	97	33	43	54	68	97	33	43	54	68	97
8	12	1.97 a	3.1 a	5.32 a	7.19 a	10.57 a	2.08 a	3.09 a	5.36 a	7.19 a	11.07 a	1.54 a	2.28 a	3.62 a	4.87 a	7.4 a
	16	1.76 a	2.88 a	5.1 a	6.97 a	10.34 a	1.93 a	2.95 a	5.22 a	7.06 a	10.94 a	1.42 a	2.17 a	3.53 a	4.77 a	7.32 a
	24	1.35 a	2.46 a	4.68 a	6.55 a	9.9 a	1.64 a	2.68 a	4.96 a	6.81 a	10.68 a	1.19 a	1.95 a	3.34 a	4.59 a	7.16 a
9	12	1.73 a	2.8 a	4.86 a	6.63 a	9.77 a	1.94 a	2.94 a	5.2 a	7.07 a	10.94 a	1.44 a	2.18 a	3.54 a	4.78 a	7.33 a
	16	1.47 a	2.53 a	4.59 a	6.36 a	9.49 a	1.75 a	2.77 a	5.03 a	6.9 a	10.77 a	1.29 a	2.04 a	3.41 a	4.66 a	7.22 a
	24	0.99 a	2.03 a	4.09 a	5.84 a	8.94 a	1.38 a	2.42 a	4.69 a	6.56 a	10.43 a	1.01 a	1.76 a	3.17 a	4.42 a	7.02 a
10	12	1.47 a	2.48 a	4.36 a	6.01 a	8.89 a	1.77 a	2.77 a	4.97 a	6.9 a	10.78 a	1.33 a	2.07 a	3.44 a	4.68 a	7.24 a
	16	1.18 a	2.17 a	4.05 a	5.69 a	8.55 a	1.54 a	2.56 a	4.76 a	6.69 a	10.56 a	1.15 a	1.9 a	3.29 a	4.53 a	7.11 a
	24	0.64 b	1.59 a	3.47 a	5.1 a	7.92 a	1.1 a	2.14 a	4.34 a	6.26 a	10.12 a	0.8 a	1.55 a	2.98 a	4.23 a	6.85 a
12	12	0.96 b	1.81 a	3.33 a	4.69 a	7.04 a	1.39 a	2.36 a	4.4 a	6.22 a	10.3 a	1.07 a	1.81 a	3.2 a	4.44 a	7.02 a
	16	0.61 c	1.44 b	2.96 a	4.31 a	6.63 a	1.08 a	2.07 a	4.1 a	5.91 a	9.96 a	0.82 a	1.56 a	2.97 a	4.21 a	6.82 a
	24		0.78 d	2.31 c	3.62 b	5.88 a	0.52 b	1.51 a	3.54 a	5.32 a	9.29 a	0.35 b	1.08 a	2.54 a	3.78 a	6.43 a
14	12	0.5 d	1.21 c	2.39 b	3.44 a	5.29 a	0.97 a	1.9 a	3.71 a	5.36 a	9.01 a	0.78 a	1.5 a	2.9 a	4.12 a	6.72 a
	16	0.14 e	0.81 d	2.02 c	3.05 b	4.86 a	0.61 c	1.53 a	3.34 a	4.97 a	8.55 a	0.46 b	1.17 a	2.59 a	3.81 a	6.43 a
	24		0.13 e	1.36 e	2.36 d	4.11 c		0.86 c	2.66 b	4.24 a	7.72 a		0.57 c	2.02 b	3.23 a	5.88 a
16	12	0.14 e	0.71 d	1.67 d	2.48 c	3.93 a	0.58 c	1.41 b	2.98 a	4.42 a	7.55 a	0.46 c	1.16 a	2.53 a	3.73 a	6.32 a
	16		0.32 e	1.3 e	2.1 d	3.52 c	0.18 d	1.01 c	2.57 b	3.97 a	7.03 a	0.09 d	0.76 c	2.15 b	3.33 a	5.94 a
	24			0.68 f	1.45 e	2.79 d		0.28 e	1.84 d	3.18 c	6.11 b		0.05 d	1.47 d	2.61 c	5.22 a

15 psf Lateral Load

Wall Height (ft)	Spacing (in.) o.c.	600S162-(mils)					600S200-(mils)					800S137-(mils)				
		33 ksi		50 ksi			33 ksi		50 ksi			33 ksi		50 ksi		
		33	43	54	68	97	33	43	54	68	97	33	43	54	68	97
8	12	2.14 a	3.14 a	5.37 a	7.22 a	11.18 a	2.57 a	4.01 a	7.16 a	9.69 a	15.37 a	1.55 a*	2.27 a	3.44 a	4.62 a	7.12 a
	16	2 a	3.02 a	5.25 a	7.1 a	11.06 a	2.43 a	3.86 a	7.01 a	9.55 a	15.23 a	1.46 a*	2.19 a	3.38 a	4.56 a	7.06 a
	24	1.73 a	2.77 a	5.02 a	6.88 a	10.84 a	2.15 a	3.56 a	6.71 a	9.27 a	14.95 a	1.3 a*	2.03 a	3.25 a	4.44 a	6.94 a
9	12	2.02 a	3.03 a	5.26 a	7.11 a	11.07 a	2.43 a	3.84 a	6.92 a	9.43 a	15.02 a	1.48 a*	2.2 a	3.39 a	4.57 a	7.07 a
	16	1.85 a	2.87 a	5.11 a	6.96 a	10.92 a	2.26 a	3.65 a	6.73 a	9.25 a	14.84 a	1.37 a*	2.1 a	3.31 a	4.5 a	6.99 a
	24	1.51 a	2.56 a	4.81 a	6.67 a	10.63 a	1.9 a	3.27 a	6.35 a	8.89 a	14.48 a	1.17 a*	1.91 a	3.14 a	4.34 a	6.85 a
10	12	1.89 a	2.91 a	5.14 a	6.98 a	10.94 a	2.28 a	3.65 a	6.65 a	9.12 a	14.6 a	1.4 a*	2.13 a	3.33 a	4.51 a	7.01 a
	16	1.67 a	2.71 a	4.94 a	6.8 a	10.75 a	2.06 a	3.41 a	6.41 a	8.89 a	14.37 a	1.27 a*	2.01 a	3.23 a	4.42 a	6.92 a
	24	1.26 a	2.32 a	4.57 a	6.43 a	10.38 a	1.63 a	2.96 a	5.94 a	8.45 a	13.92 a	1.02 a*	1.76 a	3.03 a	4.23 a	6.74 a
12	12	1.54 a	2.56 a	4.76 a	6.66 a	10.6 a	1.91 a	3.19 a	5.96 a	8.33 a	13.5 a	1.22 a*	1.96 a	3.18 a	4.37 a	6.88 a
	16	1.25 a	2.28 a	4.48 a	6.37 a	10.3 a	1.6 a	2.86 a	5.63 a	8 a	13.16 a	1.04 a*	1.78 a	3.03 a	4.23 a	6.74 a
	24	0.7 a	1.75 a	3.94 a	5.82 a	9.74 a	1.03 a	2.24 a	4.98 a	7.37 a	12.5 a	0.68 a*	1.43 a	2.74 a	3.95 a	6.47 a
14	12	1.15 a	2.13 a	4.15 a	5.95 a	10.05 a	1.49 a	2.65 a	5.14 a	7.34 a	12.1 a	1.01 a*	1.75 a	3 a	4.2 a	6.71 a
	16	0.79 a	1.78 a	3.79 a	5.58 a	9.63 a	1.11 a	2.24 a	4.71 a	6.92 a	11.64 a	0.77 a*	1.51 a	2.8 a	4 a	6.52 a
	24	0.14 c	1.12 b	3.11 a	4.87 a	8.83 a	0.42 c	1.48 a	3.92 a	6.13 a	10.78 a	0.29 a*	1.04 a	2.41 a	3.62 a	6.14 a
16	12	0.75 b	1.67 a	3.45 a	5.08 a	8.73 a	1.05 a	2.09 a	4.26 a	6.25 a	10.5 a	0.77 a*	1.51 a	2.79 a	3.99 a	6.49 a
	16	0.35 c	1.26 b	3.03 a	4.64 a	8.22 a	0.62 c	1.62 a	3.76 a	5.75 a	9.94 a	0.46 a*	1.2 a	2.53 a	3.73 a	6.24 a
	24		0.51 d	2.28 c	3.82 b	7.28 a		0.77 c	2.88 b	4.85 a	8.92 a		0.61 a	2.02 a	3.22 a	5.74 a

See Combined Axial and Lateral Load Table Notes on page 33.

Combined Axial and Lateral Load Tables



15 psf Lateral Load											
Wall Height (ft)	Spacing (in.) o.c.	800S162-(mils)					800S200-(mils)				
		33 ksi		50 ksi			33 ksi		50 ksi		
		33	43	54	68	97	33	43	54	68	97
8	12	2.2 a*	3.17 a	5.26 a	7.08 a	11.1 a	2.75 a*	4.25 a	7.53 a	10.09 a	15.8 a
	16	2.1 a*	3.07 a	5.18 a	7 a	11.02 a	2.65 a*	4.14 a	7.42 a	9.99 a	15.7 a
	24	1.9 a*	2.89 a	5.01 a	6.84 a	10.86 a	2.44 a*	3.93 a	7.21 a	9.8 a	15.52 a
9	12	2.12 a*	3.09 a	5.19 a	7.01 a	11.03 a	2.67 a*	4.16 a	7.44 a	10 a	15.71 a
	16	1.99 a*	2.97 a	5.08 a	6.91 a	10.93 a	2.53 a*	4.02 a	7.3 a	9.88 a	15.59 a
	24	1.75 a*	2.73 a	4.87 a	6.69 a	10.72 a	2.27 a*	3.74 a	7.02 a	9.63 a	15.35 a
10	12	2.02 a*	3 a	5.11 a	6.93 a	10.95 a	2.57 a*	4.05 a	7.33 a	9.91 a	15.62 a
	16	1.87 a*	2.85 a	4.97 a	6.8 a	10.82 a	2.4 a*	3.88 a	7.15 a	9.75 a	15.46 a
	24	1.57 a*	2.56 a	4.7 a	6.53 a	10.56 a	2.07 a*	3.54 a	6.81 a	9.43 a	15.16 a
12	12	1.81 a*	2.79 a	4.91 a	6.73 a	10.75 a	2.33 a*	3.8 a	7.06 a	9.66 a	15.37 a
	16	1.59 a*	2.57 a	4.71 a	6.53 a	10.55 a	2.09 a*	3.55 a	6.81 a	9.42 a	15.14 a
	24	1.16 a*	2.15 a	4.31 a	6.15 a	10.17 a	1.63 a*	3.05 a	6.3 a	8.95 a	14.68 a
14	12	1.55 a*	2.53 a	4.65 a	6.48 a	10.49 a	2.03 a*	3.45 a	6.63 a	9.28 a	15.04 a
	16	1.25 a*	2.24 a	4.38 a	6.2 a	10.21 a	1.71 a*	3.11 a	6.28 a	8.94 a	14.71 a
	24	0.69 a*	1.68 a	3.84 a	5.67 a	9.66 a	1.1 a*	2.46 a	5.59 a	8.29 a	14.05 a
16	12	1.25 a*	2.23 a	4.35 a	6.16 a	10.15 a	1.68 a*	3.02 a	6 a	8.55 a	14.23 a
	16	0.88 a*	1.86 a	3.98 a	5.8 a	9.77 a	1.28 a*	2.59 a	5.55 a	8.13 a	13.78 a
	24	0.19 b*	1.15 a	3.29 a	5.09 a	9.04 a	0.54 a*	1.79 a	4.71 a	7.3 a	12.92 a

See Combined Axial and Lateral Load Table Notes on page 33.

Combined Axial and Lateral Load Tables



20 psf Lateral Load

Wall Height (ft)	Spacing (in.) o.c.	350S162-(mils)					362S137-(mils)				362S162-(mils)				
		33 ksi		50 ksi			33 ksi		50 ksi		33 ksi		50 ksi		
		33	43	54	68	97	33	43	54	68	33	43	54	68	97
8	12	1.16 a	1.89 a	3.36 a	4.46 a	6.76 a	0.91 a	1.53 a	2.77 a	3.79 a	1.23 a	1.99 a	3.55 a	4.76 a	7.19 a
	16	0.9 a	1.62 a	3.11 a	4.21 a	6.48 a	0.67 a	1.28 a	2.54 a	3.56 a	0.98 a	1.72 a	3.3 a	4.5 a	6.9 a
	24	0.43 c	1.11 b	2.64 a	3.72 a	5.93 a	0.24 c	0.81 b	2.11 a	3.1 a	0.5 b	1.21 a	2.82 a	4.01 a	6.35 a
9	12	0.9 a	1.57 a	2.91 a	3.92 a	6 a	0.68 a	1.26 a	2.43 a	3.37 a	0.97 a	1.67 a	3.12 a	4.23 a	6.43 a
	16	0.6 c	1.26 a	2.62 a	3.62 a	5.66 a	0.41 c	0.97 b	2.16 a	3.08 a	0.67 b	1.36 a	2.82 a	3.92 a	6.09 a
	24	0.07 d	0.69 c	2.08 b	3.06 a	5.02 a		0.44 d	1.66 c	2.55 b	0.13 d	0.78 c	2.27 b	3.34 a	5.44 a
10	12	0.64 c	1.25 a	2.45 a	3.37 a	5.21 a	0.46 c	0.99 b	2.07 a	2.91 a	0.7 b	1.36 a	2.67 a	3.66 a	5.64 a
	16	0.32 d	0.91 c	2.14 b	3.03 a	4.83 a	0.16 d	0.66 c	1.77 b	2.59 a	0.38 d	1.01 c	2.34 a	3.32 a	5.25 a
	24		0.29 d	1.56 d	2.43 c	4.13 a		0.09 e	1.22 d	2.01 c		0.38 d	1.74 c	2.69 b	4.53 a
12	12	0.18 e	0.67 d	1.62 c	2.33 b	3.7 a	0.06 e	0.48 d	1.36 c	2.02 b	0.24 e	0.76 d	1.8 c	2.58 b	4.08 a
	16		0.3 e	1.29 d	1.97 c	3.3 b		0.13 e	1.04 d	1.67 d		0.38 e	1.45 d	2.2 c	3.66 b
	24			0.71 e	1.35 e	2.58 d			0.48 e	1.06 e			0.84 e	1.55 e	2.9 d
14	12		0.22 e	1 e	1.54 d	2.56 c		0.08 e	0.82 e	1.31 d		0.29 e	1.13 e	1.73 d	2.85 c
	16			0.68 e	1.2 e	2.17 d			0.5 f	0.97 e			0.79 e	1.36 e	2.43 d
	24			0.13 f	0.6 f	1.49 e				0.39 f			0.2 f	0.73 f	1.71 e
16	12			0.57 f	0.98 e	1.75 d			0.42 f	0.8 e			0.66 f	1.12 e	1.96 d
	16			0.26 f	0.66 f	1.38 e			0.13 f	0.49 f			0.34 f	0.77 f	1.57 e
	24				0.11 f	0.75 f							0.19 f	0.9 f	

20 psf Lateral Load

Wall Height (ft)	Spacing (in.) o.c.	362S200-(mils)					400S137-(mils)				400S162-(mils)				
		33 ksi		50 ksi			33 ksi		50 ksi		33 ksi		50 ksi		
		33	43	54	68	97	33	43	54	68	33	43	54	68	97
8	12	1.55 a	2.56 a	4.49 a	6 a	8.84 a	1.06 a	1.74 a	3.14 a	4.42 a	1.42 a	2.25 a	4.03 a	5.57 a	8.42 a
	16	1.27 a	2.27 a	4.2 a	5.72 a	8.54 a	0.83 a	1.5 a	2.92 a	4.18 a	1.17 a	1.99 a	3.79 a	5.31 a	8.13 a
	24	0.74 b	1.71 a	3.65 a	5.18 a	7.97 a	0.4 b	1.04 a	2.5 a	3.72 a	0.7 a	1.5 a	3.32 a	4.81 a	7.58 a
9	12	1.25 a	2.19 a	3.94 a	5.34 a	7.94 a	0.84 a	1.49 a	2.83 a	4.07 a	1.17 a	1.95 a	3.64 a	5.08 a	7.71 a
	16	0.92 a	1.85 a	3.6 a	5 a	7.58 a	0.57 b	1.2 a	2.56 a	3.77 a	0.87 a	1.64 a	3.34 a	4.76 a	7.36 a
	24	0.32 c	1.21 b	2.97 a	4.37 a	6.91 a	0.07 d	0.67 c	2.06 a	3.21 a	0.33 c	1.07 b	2.78 a	4.16 a	6.7 a
10	12	0.95 a	1.82 a	3.38 a	4.64 a	7 a	0.62 b	1.22 a	2.49 a	3.62 a	0.9 a	1.64 a	3.21 a	4.54 a	6.93 a
	16	0.59 c	1.43 b	3 a	4.27 a	6.59 a	0.31 c	0.89 b	2.18 a	3.28 a	0.57 c	1.29 a	2.87 a	4.17 a	6.52 a
	24		0.74 d	2.32 c	3.58 b	5.84 a		0.3 d	1.61 c	2.65 b		0.64 c	2.24 b	3.48 a	5.76 a
12	12	0.41 d	1.11 c	2.32 b	3.32 a	5.16 a	0.19 d	0.7 c	1.78 b	2.67 a	0.41 d	1.03 c	2.33 b	3.38 a	5.3 a
	16	0.01 e	0.69 d	1.92 c	2.91 b	4.71 a		0.32 d	1.42 d	2.27 c	0.04 e	0.62 d	1.94 c	2.96 b	4.82 a
	24			1.21 e	2.19 d	3.9 c			0.79 e	1.58 d			1.25 e	2.2 d	3.96 c
14	12		0.54 e	1.49 d	2.28 c	3.68 b		0.25 e	1.15 d	1.82 d	0.01 e	0.5 d	1.56 d	2.35 c	3.81 a
	16		0.12 e	1.1 e	1.88 d	3.23 c			0.79 e	1.42 e		0.08 e	1.16 e	1.92 d	3.33 c
	24			0.43 f	1.18 e	2.45 e			0.15 f	0.73 f			0.48 f	1.18 e	2.49 d
16	12		0.12 f	0.91 e	1.53 e	2.61 d			0.67 e	1.17 e		0.09 e	0.97 e	1.58 d	2.7 c
	16			0.54 f	1.15 e	2.19 e			0.32 f	0.8 f			0.59 f	1.17 e	2.24 d
	24				0.5 f	1.46 f				0.15 f			0.48 f	1.45 e	

See Combined Axial and Lateral Load Table Notes on page 33.

Combined Axial and Lateral Load Tables



20 psf Lateral Load																
Wall Height (ft)	Spacing (in.) o.c.	400S200-(mils)					550S162-(mils)					600S137-(mils)				
		33 ksi		50 ksi			33 ksi		50 ksi			33 ksi		50 ksi		
		33	43	54	68	97	33	43	54	68	97	33	43	54	68	97
8	12	1.76 a	2.88 a	5.1 a	6.97 a	10.34 a	1.93 a	2.95 a	5.22 a	7.06 a	10.94 a	1.42 a	2.17 a	3.53 a	4.77 a	7.32 a
	16	1.48 a	2.6 a	4.82 a	6.69 a	10.05 a	1.74 a	2.77 a	5.05 a	6.89 a	10.77 a	1.27 a	2.02 a	3.4 a	4.65 a	7.21 a
	24	0.97 a	2.06 a	4.28 a	6.14 a	9.48 a	1.35 a	2.41 a	4.7 a	6.55 a	10.42 a	0.97 a	1.73 a	3.15 a	4.4 a	7 a
9	12	1.47 a	2.53 a	4.59 a	6.36 a	9.49 a	1.75 a	2.77 a	5.03 a	6.9 a	10.77 a	1.29 a	2.04 a	3.41 a	4.66 a	7.22 a
	16	1.15 a	2.19 a	4.25 a	6.01 a	9.12 a	1.5 a	2.54 a	4.8 a	6.67 a	10.54 a	1.1 a	1.85 a	3.25 a	4.5 a	7.09 a
	24	0.55 b	1.56 a	3.61 a	5.36 a	8.43 a	1.03 a	2.09 a	4.36 a	6.23 a	10.09 a	0.73 a	1.48 a	2.93 a	4.19 a	6.81 a
10	12	1.18 a	2.17 a	4.05 a	5.69 a	8.55 a	1.54 a	2.56 a	4.76 a	6.69 a	10.56 a	1.15 a	1.9 a	3.29 a	4.53 a	7.11 a
	16	0.81 b	1.78 a	3.66 a	5.29 a	8.13 a	1.24 a	2.28 a	4.48 a	6.4 a	10.26 a	0.92 a	1.67 a	3.08 a	4.33 a	6.94 a
	24	0.15 d	1.07 c	2.94 a	4.54 a	7.33 a	0.69 a	1.74 a	3.94 a	5.85 a	9.7 a	0.47 a	1.22 a	2.69 a	3.94 a	6.59 a
12	12	0.61 c	1.44 b	2.96 a	4.31 a	6.63 a	1.08 a	2.07 a	4.1 a	5.91 a	9.96 a	0.82 a	1.56 a	2.97 a	4.21 a	6.82 a
	16	0.2 d	0.99 c	2.52 b	3.84 a	6.12 a	0.7 b	1.69 a	3.72 a	5.51 a	9.51 a	0.5 a	1.24 a	2.68 a	3.92 a	6.56 a
	24		0.2 e	1.73 d	3.01 c	5.21 b		0.99 b	3.01 a	4.77 a	8.67 a		0.63 b	2.13 a	3.36 a	6.05 a
14	12	0.14 e	0.81 d	2.02 c	3.05 b	4.86 a	0.61 c	1.53 a	3.34 a	4.97 a	8.55 a	0.46 b	1.17 a	2.59 a	3.81 a	6.43 a
	16		0.35 e	1.57 d	2.58 c	4.35 b	0.17 d	1.08 c	2.88 b	4.48 a	7.99 a	0.07 d	0.76 b	2.21 a	3.42 a	6.06 a
	24		0.79 e	1.76 e	3.44 d			0.26 d	2.05 d	3.59 c	6.96 a		0.01 d	1.5 c	2.68 b	5.36 a
16	12		0.32 e	1.3 e	2.1 d	3.52 c	0.18 d	1.01 c	2.57 b	3.97 a	7.03 a	0.09 d	0.76 c	2.15 b	3.33 a	5.94 a
	16			0.87 e	1.66 e	3.02 d		0.51 d	2.07 d	3.43 c	6.4 a		0.28 d	1.69 c	2.84 b	5.45 a
	24			0.14 f	0.89 f	2.17 e			1.19 e	2.48 d	5.29 c		0.85 e	1.95 d	4.57 c	

20 psf Lateral Load																
Wall Height (ft)	Spacing (in.) o.c.	600S162-(mils)					600S200-(mils)					800S137-(mils)				
		33 ksi		50 ksi			33 ksi		50 ksi			33 ksi		50 ksi		
		33	43	54	68	97	33	43	54	68	97	33	43	54	68	97
8	12	2 a	3.02 a	5.25 a	7.1 a	11.06 a	2.43 a	3.86 a	7.01 a	9.55 a	15.23 a	1.46 a*	2.19 a	3.38 a	4.56 a	7.06 a
	16	1.82 a	2.85 a	5.1 a	6.95 a	10.92 a	2.25 a	3.66 a	6.81 a	9.36 a	15.04 a	1.35 a*	2.09 a	3.29 a	4.48 a	6.98 a
	24	1.47 a	2.53 a	4.79 a	6.65 a	10.62 a	1.88 a	3.27 a	6.42 a	9 a	14.67 a	1.14 a*	1.88 a	3.12 a	4.32 a	6.83 a
9	12	1.85 a	2.87 a	5.11 a	6.96 a	10.92 a	2.26 a	3.65 a	6.73 a	9.25 a	14.84 a	1.37 a*	2.1 a	3.31 a	4.5 a	6.99 a
	16	1.62 a	2.66 a	4.91 a	6.77 a	10.73 a	2.02 a	3.4 a	6.48 a	9.01 a	14.6 a	1.24 a*	1.97 a	3.2 a	4.39 a	6.9 a
	24	1.18 a	2.25 a	4.52 a	6.38 a	10.35 a	1.56 a	2.91 a	5.98 a	8.54 a	14.12 a	0.96 a*	1.71 a	2.98 a	4.19 a	6.7 a
10	12	1.67 a	2.71 a	4.94 a	6.8 a	10.75 a	2.06 a	3.41 a	6.41 a	8.89 a	14.37 a	1.27 a*	2.01 a	3.23 a	4.42 a	6.92 a
	16	1.4 a	2.45 a	4.69 a	6.55 a	10.5 a	1.77 a	3.11 a	6.1 a	8.59 a	14.07 a	1.1 a*	1.84 a	3.09 a	4.29 a	6.8 a
	24	0.86 a	1.94 a	4.2 a	6.06 a	10.02 a	1.22 a	2.51 a	5.49 a	8.02 a	13.47 a	0.77 a*	1.52 a	2.83 a	4.03 a	6.55 a
12	12	1.25 a	2.28 a	4.48 a	6.37 a	10.3 a	1.6 a	2.86 a	5.63 a	8 a	13.16 a	1.04 a*	1.78 a	3.03 a	4.23 a	6.74 a
	16	0.88 a	1.92 a	4.11 a	6 a	9.92 a	1.22 a	2.44 a	5.19 a	7.58 a	12.72 a	0.8 a*	1.55 a	2.84 a	4.04 a	6.56 a
	24	0.19 c	1.24 a	3.43 a	5.3 a	9.19 a	0.5 b	1.66 a	4.37 a	6.77 a	11.86 a	0.33 a*	1.09 a	2.46 a	3.67 a	6.2 a
14	12	0.79 a	1.78 a	3.79 a	5.58 a	9.63 a	1.11 a	2.24 a	4.71 a	6.92 a	11.64 a	0.77 a*	1.51 a	2.8 a	4 a	6.52 a
	16	0.35 c	1.33 b	3.33 a	5.1 a	9.09 a	0.64 b	1.73 a	4.18 a	6.38 a	11.06 a	0.45 a*	1.19 a	2.54 a	3.74 a	6.26 a
	24		0.52 d	2.5 c	4.21 a	8.09 a		0.79 c	3.19 b	5.39 a	9.97 a		0.59 a	2.02 a	3.24 a	5.77 a
16	12	0.35 c	1.26 b	3.03 a	4.64 a	8.22 a	0.62 c	1.62 a	3.76 a	5.75 a	9.94 a	0.46 a*	1.2 a	2.53 a	3.73 a	6.24 a
	16		0.75 d	2.52 c	4.08 a	7.58 a	0.1 d	1.04 c	3.16 b	5.14 a	9.25 a	0.07 b*	0.8 a	2.18 a	3.39 a	5.9 a
	24			1.6 d	3.09 c	6.44 b		0.01 d	2.09 d	4.03 c	8.01 a		0.06 c	1.53 b	2.74 a	5.25 a

See Combined Axial and Lateral Load Table Notes on page 33.

Combined Axial and Lateral Load Tables



20 psf Lateral Load

Wall Height (ft)	Spacing (in.) o.c.	800S162-(mils)					800S200-(mils)				
		33 ksi		50 ksi			33 ksi		50 ksi		
		33	43	54	68	97	33	43	54	68	97
8	12	2.1 a*	3.07 a	5.18 a	7 a	11.02 a	2.65 a*	4.14 a	7.42 a	9.99 a	15.7 a
	16	1.97 a*	2.95 a	5.07 a	6.89 a	10.91 a	2.51 a*	4 a	7.28 a	9.86 a	15.58 a
	24	1.71 a*	2.7 a	4.84 a	6.67 a	10.7 a	2.23 a*	3.71 a	6.99 a	9.6 a	15.33 a
9	12	1.99 a*	2.97 a	5.08 a	6.91 a	10.93 a	2.53 a*	4.02 a	7.3 a	9.88 a	15.59 a
	16	1.83 a*	2.81 a	4.94 a	6.77 a	10.79 a	2.36 a*	3.84 a	7.11 a	9.71 a	15.43 a
	24	1.5 a*	2.5 a	4.65 a	6.49 a	10.51 a	2.01 a*	3.47 a	6.75 a	9.38 a	15.11 a
10	12	1.87 a*	2.85 a	4.97 a	6.8 a	10.82 a	2.4 a*	3.88 a	7.15 a	9.75 a	15.46 a
	16	1.67 a*	2.65 a	4.79 a	6.62 a	10.65 a	2.18 a*	3.65 a	6.93 a	9.54 a	15.26 a
	24	1.27 a*	2.27 a	4.44 a	6.27 a	10.3 a	1.75 a*	3.2 a	6.47 a	9.12 a	14.86 a
12	12	1.59 a*	2.57 a	4.71 a	6.53 a	10.55 a	2.09 a*	3.55 a	6.81 a	9.42 a	15.14 a
	16	1.3 a*	2.29 a	4.44 a	6.27 a	10.29 a	1.78 a*	3.22 a	6.47 a	9.11 a	14.83 a
	24	0.74 a*	1.74 a	3.93 a	5.76 a	9.78 a	1.17 a*	2.57 a	5.81 a	8.49 a	14.23 a
14	12	1.25 a*	2.24 a	4.38 a	6.2 a	10.21 a	1.71 a*	3.11 a	6.28 a	8.94 a	14.71 a
	16	0.87 a*	1.86 a	4.02 a	5.84 a	9.84 a	1.3 a*	2.67 a	5.82 a	8.51 a	14.27 a
	24	0.15 b*	1.14 a	3.32 a	5.14 a	9.13 a	0.52 a*	1.83 a	4.94 a	7.66 a	13.41 a
16	12	0.88 a*	1.86 a	3.98 a	5.8 a	9.77 a	1.28 a*	2.59 a	5.55 a	8.13 a	13.78 a
	16	0.41 b*	1.38 a	3.52 a	5.32 a	9.28 a	0.78 a*	2.05 a	4.98 a	7.57 a	13.2 a
	24		0.49 b	2.63 a	4.42 a	8.34 a		1.03 a	3.91 a	6.52 a	12.09 a

See Combined Axial and Lateral Load Table Notes on page 33.

Combined Axial and Lateral Load Tables



25 psf Lateral Load															
Wall Height (ft)	Spacing (in.) o.c.	350S162-(mils)					362S137-(mils)				362S162-(mils)				
		33 ksi		50 ksi			33 ksi		50 ksi		33 ksi		50 ksi		
		33	43	54	68	97	33	43	54	68	33	43	54	68	97
8	12	0.97 a	1.68 a	3.17 a	4.27 a	6.55 a	0.73 a	1.34 a	2.6 a	3.61 a	1.04 a	1.78 a	3.36 a	4.57 a	6.97 a
	16	0.66 b	1.36 a	2.87 a	3.96 a	6.2 a	0.45 b	1.04 a	2.32 a	3.32 a	0.73 a	1.46 a	3.05 a	4.25 a	6.62 a
	24	0.09 d	0.76 c	2.3 b	3.38 a	5.54 a		0.49 c	1.81 b	2.78 a	0.16 c	0.86 b	2.48 a	3.66 a	5.96 a
9	12	0.67 b	1.33 a	2.69 a	3.7 a	5.74 a	0.48 c	1.04 a	2.23 a	3.15 a	0.74 b	1.44 a	2.89 a	3.99 a	6.17 a
	16	0.33 d	0.96 b	2.34 a	3.34 a	5.34 a	0.16 d	0.7 c	1.9 b	2.81 a	0.39 c	1.06 b	2.54 a	3.62 a	5.76 a
	24		0.29 d	1.71 c	2.68 b	4.58 a		0.07 d	1.32 d	2.18 c		0.39 d	1.89 c	2.94 b	4.99 a
10	12	0.39 d	0.99 c	2.21 a	3.12 a	4.92 a	0.23 d	0.74 c	1.84 b	2.67 a	0.46 c	1.09 b	2.42 a	3.4 a	5.34 a
	16	0.02 e	0.59 d	1.84 c	2.72 b	4.47 a		0.37 d	1.49 c	2.29 b	0.08 d	0.68 d	2.03 c	2.99 a	4.88 a
	24			1.17 d	2.02 d	3.66 c			0.85 e	1.61 d			1.34 d	2.26 c	4.04 b
12	12		0.39 e	1.37 d	2.06 c	3.39 b		0.21 e	1.12 d	1.75 c		0.47 d	1.54 d	2.29 c	3.76 a
	16			0.99 e	1.65 d	2.93 c			0.75 e	1.36 d		0.03 e	1.13 e	1.86 d	3.27 c
	24			0.32 f	0.94 e	2.11 e			0.1 f	0.66 e			0.43 f	1.11 e	2.4 d
14	12			0.76 e	1.28 e	2.26 d			0.58 e	1.06 e			0.87 e	1.45 e	2.53 d
	16			0.39 f	0.89 e	1.81 e			0.22 f	0.67 f			0.49 f	1.04 e	2.06 e
	24				0.21 f	1.04 f				0.01 f				0.32 f	1.24 f
16	12			0.34 f	0.73 f	1.47 e			0.2 f	0.56 f			0.41 f	0.85 f	1.67 e
	16				0.37 f	1.05 f				0.2 f			0.05 f	0.47 f	1.22 f
	24					0.34 f									0.47 f

25 psf Lateral Load															
Wall Height (ft)	Spacing (in.) o.c.	362S200-(mils)					400S137-(mils)				400S162-(mils)				
		33 ksi		50 ksi			33 ksi		50 ksi		33 ksi		50 ksi		
		33	43	54	68	97	33	43	54	68	33	43	54	68	97
8	12	1.34 a	2.34 a	4.27 a	5.79 a	8.62 a	0.89 a	1.56 a	2.98 a	4.24 a	1.23 a	2.05 a	3.85 a	5.37 a	8.2 a
	16	1 a	1.99 a	3.92 a	5.45 a	8.26 a	0.61 a	1.27 a	2.71 a	3.95 a	0.93 a	1.74 a	3.55 a	5.06 a	7.86 a
	24	0.37 c	1.33 a	3.26 a	4.79 a	7.56 a	0.1 c	0.72 b	2.19 a	3.39 a	0.37 b	1.15 a	2.98 a	4.45 a	7.19 a
9	12	1 a	1.93 a	3.68 a	5.08 a	7.67 a	0.64 a	1.27 a	2.63 a	3.84 a	0.94 a	1.72 a	3.41 a	4.84 a	7.45 a
	16	0.61 c	1.52 a	3.28 a	4.68 a	7.24 a	0.32 c	0.93 b	2.31 a	3.49 a	0.59 b	1.35 a	3.06 a	4.45 a	7.02 a
	24		0.78 c	2.54 b	3.93 a	6.43 a		0.29 d	1.7 c	2.82 b		0.66 c	2.39 b	3.73 a	6.22 a
10	12	0.68 c	1.52 a	3.1 a	4.36 a	6.69 a	0.39 c	0.97 b	2.26 a	3.36 a	0.65 b	1.38 a	2.95 a	4.26 a	6.62 a
	16	0.25 d	1.07 c	2.65 b	3.91 a	6.21 a	0.03 d	0.59 c	1.89 b	2.95 a	0.26 d	0.96 b	2.54 a	3.82 a	6.13 a
	24		0.27 d	1.86 d	3.1 c	5.32 a			1.22 d	2.21 c		0.2 d	1.81 c	3.01 b	5.23 a
12	12	0.11 e	0.79 d	2.01 c	3.01 b	4.82 a		0.41 d	1.51 c	2.37 b	0.13 d	0.72 d	2.03 c	3.06 b	4.94 a
	16		0.3 e	1.55 d	2.53 c	4.29 b			1.09 d	1.91 d		0.25 e	1.58 d	2.56 c	4.38 b
	24			0.74 e	1.7 e	3.36 d			0.37 e	1.11 e			0.78 e	1.69 e	3.39 d
14	12		0.22 e	1.2 e	1.97 d	3.34 c			0.88 e	1.51 d		0.18 e	1.26 e	2.02 d	3.45 c
	16			0.75 e	1.51 e	2.83 d			0.46 f	1.06 e			0.81 e	1.54 e	2.9 d
	24				0.72 f	1.94 e				0.28 f			0.03 f	0.7 f	1.94 e
16	12			0.63 f	1.24 e	2.29 d			0.4 f	0.89 e			0.69 e	1.27 e	2.35 d
	16			0.22 f	0.81 f	1.81 e				0.46 f			0.26 f	0.81 f	1.83 e
	24				0.08 f	0.98 f								0.02 f	0.94 f

See Combined Axial and Lateral Load Table Notes on page 33.

Combined Axial and Lateral Load Tables



25 psf Lateral Load

Wall Height (ft)	Spacing (in.) o.c.	400S200-(mils)					550S162-(mils)					600S137-(mils)				
		33 ksi		50 ksi			33 ksi		50 ksi			33 ksi		50 ksi		
		33	43	54	68	97	33	43	54	68	97	33	43	54	68	97
8	12	1.55 a	2.67 a	4.89 a	6.76 a	10.12 a	1.79 a	2.82 a	5.09 a	6.93 a	10.81 a	1.31 a	2.06 a	3.43 a	4.68 a	7.24 a
	16	1.22 a	2.32 a	4.55 a	6.41 a	9.76 a	1.54 a	2.59 a	4.87 a	6.72 a	10.59 a	1.12 a	1.87 a	3.27 a	4.53 a	7.11 a
	24	0.6 b	1.67 a	3.89 a	5.75 a	9.06 a	1.07 a	2.14 a	4.44 a	6.3 a	10.17 a	0.75 a	1.51 a	2.96 a	4.22 a	6.85 a
9	12	1.23 a	2.28 a	4.34 a	6.1 a	9.21 a	1.56 a	2.59 a	4.86 a	6.73 a	10.6 a	1.15 a	1.9 a	3.29 a	4.54 a	7.12 a
	16	0.84 a	1.87 a	3.92 a	5.68 a	8.77 a	1.26 a	2.31 a	4.58 a	6.45 a	10.32 a	0.91 a	1.67 a	3.09 a	4.34 a	6.95 a
	24	0.14 c	1.12 b	3.16 a	4.89 a	7.93 a	0.69 a	1.76 a	4.04 a	5.91 a	9.76 a	0.46 a	1.21 a	2.7 a	3.96 a	6.61 a
10	12	0.9 a	1.87 a	3.75 a	5.39 a	8.23 a	1.32 a	2.34 a	4.55 a	6.47 a	10.34 a	0.97 a	1.72 a	3.13 a	4.38 a	6.98 a
	16	0.47 c	1.41 b	3.29 a	4.91 a	7.72 a	0.96 a	2 a	4.21 a	6.13 a	9.98 a	0.69 a	1.44 a	2.89 a	4.14 a	6.76 a
	24		0.59 d	2.45 c	4.03 b	6.77 a	0.29 b	1.35 a	3.56 a	5.46 a	9.28 a	0.14 b	0.89 a	2.4 a	3.65 a	6.34 a
12	12	0.3 d	1.1 c	2.62 b	3.95 a	6.24 a	0.79 a	1.78 a	3.82 a	5.61 a	9.62 a	0.58 a	1.32 a	2.75 a	3.99 a	6.62 a
	16		0.58 d	2.11 c	3.41 b	5.65 a	0.34 c	1.33 a	3.36 a	5.13 a	9.08 a	0.2 b	0.93 a	2.4 a	3.64 a	6.3 a
	24			1.2 e	2.45 d	4.59 c		0.5 c	2.51 b	4.24 a	8.07 a		0.2 c	1.73 b	2.96 a	5.68 a
14	12		0.46 e	1.67 d	2.69 c	4.47 b	0.28 d	1.19 b	2.99 a	4.6 a	8.13 a	0.16 c	0.86 b	2.3 a	3.51 a	6.15 a
	16			1.16 e	2.15 d	3.88 c		0.66 d	2.45 c	4.02 b	7.46 a		0.38 c	1.84 b	3.04 a	5.71 a
	24			0.28 f	1.23 e	2.84 e			1.49 d	2.98 d	6.26 b			1 d	2.17 c	4.87 b
16	12			0.97 e	1.76 e	3.14 d		0.63 d	2.19 c	3.57 b	6.55 a		0.4 d	1.8 c	2.96 b	5.57 a
	16			0.49 f	1.26 e	2.57 e		0.06 e	1.61 d	2.94 d	5.82 b			1.25 d	2.38 c	5 b
	24				0.39 f	1.6 f			0.6 e	1.85 e	4.55 d			0.28 e	1.35 e	3.96 d

25 psf Lateral Load

Wall Height (ft)	Spacing (in.) o.c.	600S162-(mils)					600S200-(mils)					800S137-(mils)				
		33 ksi		50 ksi			33 ksi		50 ksi			33 ksi		50 ksi		
		33	43	54	68	97	33	43	54	68	97	33	43	54	68	97
8	12	1.87 a	2.89 a	5.14 a	6.99 a	10.95 a	2.29 a	3.71 a	6.86 a	9.41 a	15.09 a	1.38 a*	2.11 a	3.31 a	4.5 a	7 a
	16	1.64 a	2.69 a	4.94 a	6.8 a	10.77 a	2.06 a	3.46 a	6.61 a	9.18 a	14.86 a	1.25 a*	1.98 a	3.21 a	4.4 a	6.91 a
	24	1.21 a	2.28 a	4.56 a	6.43 a	10.4 a	1.6 a	2.98 a	6.12 a	8.72 a	14.4 a	0.98 a*	1.72 a	3 a	4.2 a	6.72 a
9	12	1.68 a	2.71 a	4.96 a	6.82 a	10.78 a	2.08 a	3.46 a	6.54 a	9.07 a	14.66 a	1.27 a*	2.01 a	3.23 a	4.42 a	6.92 a
	16	1.4 a	2.45 a	4.71 a	6.57 a	10.54 a	1.79 a	3.15 a	6.23 a	8.78 a	14.36 a	1.1 a*	1.84 a	3.09 a	4.29 a	6.8 a
	24	0.86 a	1.95 a	4.22 a	6.09 a	10.06 a	1.23 a	2.55 a	5.62 a	8.19 a	13.77 a	0.76 a*	1.51 a	2.82 a	4.03 a	6.55 a
10	12	1.46 a	2.51 a	4.75 a	6.61 a	10.57 a	1.84 a	3.18 a	6.17 a	8.67 a	14.14 a	1.15 a*	1.88 a	3.13 a	4.32 a	6.83 a
	16	1.13 a	2.19 a	4.44 a	6.3 a	10.26 a	1.49 a	2.81 a	5.79 a	8.3 a	13.77 a	0.93 a*	1.68 a	2.96 a	4.16 a	6.68 a
	24	0.48 a	1.58 a	3.84 a	5.71 a	9.66 a	0.82 a	2.08 a	5.05 a	7.59 a	13.03 a	0.52 a*	1.28 a	2.63 a	3.84 a	6.37 a
12	12	0.97 a	2.01 a	4.2 a	6.09 a	10.02 a	1.31 a	2.55 a	5.3 a	7.68 a	12.83 a	0.86 a*	1.6 a	2.89 a	4.09 a	6.6 a
	16	0.53 b	1.58 a	3.77 a	5.64 a	9.55 a	0.85 a	2.04 a	4.78 a	7.17 a	12.29 a	0.56 a*	1.31 a	2.65 a	3.86 a	6.38 a
	24		0.76 b	2.94 a	4.79 a	8.66 a		1.1 b	3.79 a	6.2 a	11.25 a		0.75 a	2.17 a	3.4 a	5.94 a
14	12	0.45 c	1.44 a	3.44 a	5.21 a	9.22 a	0.76 b	1.86 a	4.31 a	6.51 a	11.2 a	0.53 a*	1.27 a	2.6 a	3.81 a	6.33 a
	16		0.91 c	2.9 b	4.65 a	8.58 a	0.21 c	1.25 b	3.67 a	5.87 a	10.5 a	0.14 a*	0.89 a	2.28 a	3.49 a	6.02 a
	24			1.92 d	3.6 c	7.39 a		0.15 d	2.52 c	4.7 b	9.21 a		0.16 b	1.65 a	2.87 a	5.41 a
16	12		0.87 c	2.64 b	4.22 a	7.74 a	0.23 d	1.18 c	3.31 a	5.29 a	9.42 a	0.17 b*	0.9 a	2.27 a	3.47 a	5.99 a
	16		0.29 d	2.04 d	3.57 c	6.99 a		0.5 d	2.61 c	4.57 b	8.61 a		0.43 b	1.85 a	3.06 a	5.58 a
	24			0.98 e	2.42 d	5.67 c			1.37 d	3.28 d	7.16 b			1.06 c	2.27 b	4.78 a

See Combined Axial and Lateral Load Table Notes on page 33.

Combined Axial and Lateral Load Tables



25 psf Lateral Load											
Wall Height (ft)	Spacing (in.) o.c.	800S162-(mils)					800S200-(mils)				
		33 ksi		50 ksi			33 ksi		50 ksi		
		33	43	54	68	97	33	43	54	68	97
8	12	2 a*	2.98 a	5.09 a	6.92 a	10.94 a	2.55 a*	4.03 a	7.31 a	9.89 a	15.61 a
	16	1.84 a*	2.82 a	4.95 a	6.78 a	10.81 a	2.37 a*	3.85 a	7.14 a	9.73 a	15.45 a
	24	1.52 a*	2.52 a	4.67 a	6.51 a	10.54 a	2.03 a*	3.49 a	6.78 a	9.41 a	15.14 a
9	12	1.87 a*	2.85 a	4.97 a	6.8 a	10.82 a	2.4 a*	3.88 a	7.16 a	9.75 a	15.47 a
	16	1.66 a*	2.65 a	4.79 a	6.62 a	10.65 a	2.18 a*	3.65 a	6.93 a	9.54 a	15.27 a
	24	1.26 a*	2.26 a	4.44 a	6.28 a	10.31 a	1.75 a*	3.2 a	6.48 a	9.13 a	14.87 a
10	12	1.72 a*	2.7 a	4.84 a	6.67 a	10.69 a	2.24 a*	3.71 a	6.98 a	9.59 a	15.31 a
	16	1.47 a*	2.46 a	4.61 a	6.45 a	10.47 a	1.97 a*	3.42 a	6.7 a	9.33 a	15.06 a
	24	0.97 a*	1.98 a	4.17 a	6.01 a	10.04 a	1.43 a*	2.86 a	6.13 a	8.81 a	14.56 a
12	12	1.37 a*	2.36 a	4.51 a	6.34 a	10.36 a	1.86 a*	3.3 a	6.55 a	9.19 a	14.91 a
	16	1.02 a*	2.01 a	4.18 a	6.02 a	10.04 a	1.48 a*	2.89 a	6.13 a	8.8 a	14.53 a
	24	0.33 a*	1.34 a	3.55 a	5.39 a	9.4 a	0.73 a*	2.1 a	5.32 a	8.04 a	13.78 a
14	12	0.97 a*	1.96 a	4.11 a	5.93 a	9.94 a	1.4 a*	2.78 a	5.93 a	8.61 a	14.38 a
	16	0.51 a*	1.49 a	3.66 a	5.49 a	9.48 a	0.91 a*	2.24 a	5.37 a	8.08 a	13.84 a
	24	0.62 a	2.82 a	4.64 a	8.6 a	8.6 a	1.22 a	4.3 a	7.05 a	12.79 a	12.79 a
16	12	0.53 a*	1.5 a	3.63 a	5.44 a	9.4 a	0.91 a*	2.18 a	5.12 a	7.71 a	13.34 a
	16	0.93 a	3.07 a	4.87 a	8.8 a	8.8 a	0.31 b*	1.53 a	4.44 a	7.04 a	12.64 a
	24	2.01 b	3.78 a	7.66 a	7.66 a	7.66 a	0.32 c	3.15 a	5.77 a	11.3 a	11.3 a

See Combined Axial and Lateral Load Table Notes on page 33.

Combined Axial and Lateral Load Tables



30 psf Lateral Load

Wall Height (ft)	Spacing (in.) o.c.	350S162-(mils)					362S137-(mils)				362S162-(mils)				
		33 ksi		50 ksi			33 ksi		50 ksi		33 ksi		50 ksi		
		33	43	54	68	97	33	43	54	68	33	43	54	68	97
8	12	0.78 a	1.49 a	2.99 a	4.08 a	6.34 a	0.56 b	1.16 a	2.43 a	3.44 a	0.85 a	1.59 a	3.17 a	4.38 a	6.76 a
	16	0.43 c	1.11 b	2.64 a	3.72 a	5.93 a	0.24 c	0.81 b	2.11 a	3.1 a	0.5 b	1.21 a	2.82 a	4.01 a	6.35 a
	24		0.42 d	1.98 c	3.05 a	5.16 a		0.18 d	1.52 c	2.47 b		0.52 c	2.16 b	3.32 a	5.58 a
9	12	0.46 c	1.11 b	2.48 a	3.48 a	5.5 a	0.28 c	0.83 b	2.03 a	2.94 a	0.53 c	1.21 a	2.68 a	3.77 a	5.92 a
	16	0.07 d	0.69 c	2.08 b	3.06 a	5.02 a		0.44 d	1.66 c	2.55 b	0.13 d	0.78 c	2.27 b	3.34 a	5.44 a
	24			1.37 d	2.31 c	4.16 b			0.99 d	1.84 d		0.02 d	1.54 d	2.57 c	4.56 a
10	12	0.17 d	0.74 c	1.99 b	2.88 a	4.65 a	0.02 e	0.51 d	1.62 c	2.44 b	0.23 d	0.84 c	2.18 b	3.15 a	5.06 a
	16		0.29 d	1.56 d	2.43 c	4.13 a		0.09 e	1.22 d	2.01 c		0.38 d	1.74 c	2.69 b	4.53 a
	24			0.81 e	1.63 d	3.22 c			0.51 e	1.25 e			0.96 e	1.86 d	3.58 c
12	12		0.13 e	1.13 e	1.81 d	3.11 c			0.89 e	1.51 d		0.2 e	1.29 d	2.03 d	3.46 b
	16			0.71 e	1.35 e	2.58 d			0.48 e	1.06 e			0.84 e	1.55 e	2.9 d
	24				0.56 f	1.67 e				0.29 f			0.05 f	0.71 f	1.94 e
14	12			0.53 f	1.04 e	1.99 d			0.35 f	0.82 e			0.64 f	1.2 e	2.24 d
	16			0.13 f	0.6 f	1.49 e				0.39 f			0.2 f	0.73 f	1.71 e
	24					0.63 f								0.8 f	0.8 f
16	12			0.13 f	0.51 f	1.21 e				0.34 f			0.19 f	0.62 f	1.39 e
	16				0.11 f	0.75 f								0.19 f	0.9 f
	24														0.07 f

30 psf Lateral Load

Wall Height (ft)	Spacing (in.) o.c.	362S200-(mils)					400S137-(mils)				400S162-(mils)				
		33 ksi		50 ksi			33 ksi		50 ksi		33 ksi		50 ksi		
		33	43	54	68	97	33	43	54	68	33	43	54	68	97
8	12	1.13 a	2.13 a	4.06 a	5.58 a	8.4 a	0.72 a	1.38 a	2.81 a	4.06 a	1.05 a	1.86 a	3.67 a	5.18 a	7.99 a
	16	0.74 b	1.71 a	3.65 a	5.18 a	7.97 a	0.4 b	1.04 a	2.5 a	3.72 a	0.7 a	1.5 a	3.32 a	4.81 a	7.58 a
	24	0.02 d	0.95 b	2.89 a	4.42 a	7.17 a		0.41 c	1.9 b	3.07 a	0.05 c	0.81 b	2.66 a	4.1 a	6.8 a
9	12	0.76 b	1.68 a	3.44 a	4.84 a	7.41 a	0.44 b	1.06 a	2.43 a	3.63 a	0.73 b	1.49 a	3.2 a	4.6 a	7.19 a
	16	0.32 c	1.21 b	2.97 a	4.37 a	6.91 a	0.07 d	0.67 c	2.06 a	3.21 a	0.33 c	1.07 b	2.78 a	4.16 a	6.7 a
	24		0.37 d	2.13 c	3.51 b	5.98 a			1.37 c	2.45 c		0.28 d	2.02 c	3.33 b	5.77 a
10	12	0.42 c	1.25 b	2.83 a	4.09 a	6.4 a	0.17 d	0.74 c	2.03 b	3.11 a	0.41 c	1.12 b	2.7 a	3.99 a	6.33 a
	16		0.74 d	2.32 c	3.58 b	5.84 a		0.3 d	1.61 c	2.65 b		0.64 c	2.24 b	3.48 a	5.76 a
	24			1.43 d	2.66 d	4.83 b			0.85 e	1.81 d			1.4 d	2.57 c	4.73 b
12	12		0.49 d	1.73 d	2.72 c	4.49 a		0.14 e	1.26 d	2.09 c		0.43 d	1.75 d	2.76 c	4.6 a
	16			1.21 e	2.19 d	3.9 c			0.79 e	1.58 d			1.25 e	2.2 d	3.96 c
	24			0.32 f	1.26 e	2.86 d				0.68 e			0.36 f	1.23 e	2.86 d
14	12			0.92 e	1.69 e	3.03 d			0.62 e	1.24 e			0.98 e	1.73 d	3.11 c
	16			0.43 f	1.18 e	2.45 e			0.15 f	0.73 f			0.48 f	1.18 e	2.49 d
	24				0.31 f	1.47 f								0.25 f	1.43 e
16	12			0.38 f	0.98 f	1.99 e			0.16 f	0.62 f			0.42 f	0.98 e	2.03 e
	16				0.5 f	1.46 f				0.15 f				0.48 f	1.45 e
	24					0.54 f									0.46 f

See Combined Axial and Lateral Load Table Notes on page 33.

Combined Axial and Lateral Load Tables



30 psf Lateral Load																
Wall Height (ft)	Spacing (in.) o.c.	400S200-(mils)					550S162-(mils)					600S137-(mils)				
		33 ksi		50 ksi			33 ksi		50 ksi			33 ksi		50 ksi		
		33	43	54	68	97	33	43	54	68	97	33	43	54	68	97
8	12	1.35 a	2.46 a	4.68 a	6.55 a	9.9 a	1.64 a	2.68 a	4.96 a	6.81 a	10.68 a	1.19 a	1.95 a	3.34 a	4.59 a	7.16 a
	16	0.97 a	2.06 a	4.28 a	6.14 a	9.48 a	1.35 a	2.41 a	4.7 a	6.55 a	10.42 a	0.97 a	1.73 a	3.15 a	4.4 a	7 a
	24	0.26 c	1.3 a	3.52 a	5.37 a	8.66 a	0.79 a	1.88 a	4.19 a	6.05 a	9.92 a	0.53 a	1.3 a	2.78 a	4.04 a	6.69 a
9	12	0.99 a	2.03 a	4.09 a	5.84 a	8.94 a	1.38 a	2.42 a	4.69 a	6.56 a	10.43 a	1.01 a	1.76 a	3.17 a	4.42 a	7.02 a
	16	0.55 b	1.56 a	3.61 a	5.36 a	8.43 a	1.03 a	2.09 a	4.36 a	6.23 a	10.09 a	0.73 a	1.48 a	2.93 a	4.19 a	6.81 a
	24		0.7 c	2.73 b	4.45 a	7.45 a	0.35 a	1.44 a	3.72 a	5.59 a	9.44 a	0.19 a	0.95 a	2.47 a	3.73 a	6.41 a
10	12	0.64 b	1.59 a	3.47 a	5.1 a	7.92 a	1.1 a	2.14 a	4.34 a	6.26 a	10.12 a	0.8 a	1.55 a	2.98 a	4.23 a	6.85 a
	16	0.15 d	1.07 c	2.94 a	4.54 a	7.33 a	0.69 a	1.74 a	3.94 a	5.85 a	9.7 a	0.47 a	1.22 a	2.69 a	3.94 a	6.59 a
	24		0.13 d	1.98 c	3.54 c	6.24 a		0.97 b	3.18 a	5.07 a	8.88 a		0.58 a	2.12 a	3.37 a	6.09 a
12	12		0.78 d	2.31 c	3.62 b	5.88 a	0.52 b	1.51 a	3.54 a	5.32 a	9.29 a	0.35 b	1.08 a	2.54 a	3.78 a	6.43 a
	16		0.2 e	1.73 d	3.01 c	5.21 b		0.99 b	3.01 a	4.77 a	8.67 a		0.63 b	2.13 a	3.36 a	6.05 a
	24			0.71 e	1.93 e	4.02 d		0.04 d	2.04 c	3.74 b	7.5 a			1.35 c	2.57 b	5.31 a
14	12		0.13 e	1.36 e	2.36 d	4.11 c		0.86 c	2.66 b	4.24 a	7.72 a		0.57 c	2.02 b	3.23 a	5.88 a
	16			0.79 e	1.76 e	3.44 d		0.26 d	2.05 d	3.59 c	6.96 a		0.01 d	1.5 c	2.68 b	5.36 a
	24				0.74 f	2.29 e			0.96 e	2.42 d	5.6 c			0.54 e	1.68 d	4.39 c
16	12			0.68 f	1.45 e	2.79 d		0.28 e	1.84 d	3.18 c	6.11 b		0.05 d	1.47 d	2.61 c	5.22 a
	16			0.14 f	0.89 f	2.17 e			1.19 e	2.48 d	5.29 c			0.85 e	1.95 d	4.57 c
	24					1.09 f			0.07 f	1.26 e	3.86 e			0.79 e	3.39 d	

30 psf Lateral Load																
Wall Height (ft)	Spacing (in.) o.c.	600S162-(mils)					600S200-(mils)					800S137-(mils)				
		33 ksi		50 ksi			33 ksi		50 ksi			33 ksi		50 ksi		
		33	43	54	68	97	33	43	54	68	97	33	43	54	68	97
8	12	1.73 a	2.77 a	5.02 a	6.88 a	10.84 a	2.15 a	3.56 a	6.71 a	9.27 a	14.95 a	1.3 a*	2.03 a	3.25 a	4.44 a	6.94 a
	16	1.47 a	2.53 a	4.79 a	6.65 a	10.62 a	1.88 a	3.27 a	6.42 a	9 a	14.67 a	1.14 a*	1.88 a	3.12 a	4.32 a	6.83 a
	24	0.95 a	2.05 a	4.33 a	6.21 a	10.18 a	1.34 a	2.69 a	5.84 a	8.45 a	14.12 a	0.82 a*	1.57 a	2.87 a	4.08 a	6.6 a
9	12	1.51 a	2.56 a	4.81 a	6.67 a	10.63 a	1.9 a	3.27 a	6.35 a	8.89 a	14.48 a	1.17 a*	1.91 a	3.14 a	4.34 a	6.85 a
	16	1.18 a	2.25 a	4.52 a	6.38 a	10.35 a	1.56 a	2.91 a	5.98 a	8.54 a	14.12 a	0.96 a*	1.71 a	2.98 a	4.19 a	6.7 a
	24	0.54 a	1.65 a	3.94 a	5.81 a	9.78 a	0.9 a	2.2 a	5.26 a	7.85 a	13.42 a	0.56 a*	1.32 a	2.67 a	3.88 a	6.41 a
10	12	1.26 a	2.32 a	4.57 a	6.43 a	10.38 a	1.63 a	2.96 a	5.94 a	8.45 a	13.92 a	1.02 a*	1.76 a	3.03 a	4.23 a	6.74 a
	16	0.86 a	1.94 a	4.2 a	6.06 a	10.02 a	1.22 a	2.51 a	5.49 a	8.02 a	13.47 a	0.77 a*	1.52 a	2.83 a	4.03 a	6.55 a
	24	0.11 b	1.22 a	3.5 a	5.36 a	9.31 a	0.44 a	1.67 a	4.62 a	7.18 a	12.6 a	0.28 a*	1.04 a	2.43 a	3.65 a	6.19 a
12	12	0.7 a	1.75 a	3.94 a	5.82 a	9.74 a	1.03 a	2.24 a	4.98 a	7.37 a	12.5 a	0.68 a*	1.43 a	2.74 a	3.95 a	6.47 a
	16	0.19 c	1.24 a	3.43 a	5.3 a	9.19 a	0.5 b	1.66 a	4.37 a	6.77 a	11.86 a	0.33 a*	1.09 a	2.46 a	3.67 a	6.2 a
	24		0.31 c	2.47 b	4.31 a	8.15 a		0.57 c	3.24 b	5.65 a	10.66 a		0.42 a	1.9 a	3.13 a	5.67 a
14	12	0.14 c	1.12 b	3.11 a	4.87 a	8.83 a	0.42 c	1.48 a	3.92 a	6.13 a	10.78 a	0.29 a*	1.04 a	2.41 a	3.62 a	6.14 a
	16		0.52 d	2.5 c	4.21 a	8.09 a		0.79 c	3.19 b	5.39 a	9.97 a		0.59 a	2.02 a	3.24 a	5.77 a
	24			1.38 d	3.02 c	6.74 b			1.88 d	4.06 c	8.49 a			1.28 b	2.51 a	5.05 a
16	12		0.51 d	2.28 c	3.82 b	7.28 a		0.77 c	2.88 b	4.85 a	8.92 a		0.61 a	2.02 a	3.22 a	5.74 a
	16			1.6 d	3.09 c	6.44 b		0.01 d	2.09 d	4.03 c	8.01 a		0.06 c	1.53 b	2.74 a	5.25 a
	24			0.4 e	1.8 e	4.95 d			0.7 e	2.59 d	6.38 c			0.61 d	1.81 c	4.32 a

See Combined Axial and Lateral Load Table Notes on page 33.

Combined Axial and Lateral Load Tables



30 psf Lateral Load

Wall Height (ft)	Spacing (in.) o.c.	800S162-(mils)					800S200-(mils)				
		33 ksi		50 ksi			33 ksi		50 ksi		
		33	43	54	68	97	33	43	54	68	97
8	12	1.9 a*	2.89 a	5.01 a	6.84 a	10.86 a	2.44 a*	3.93 a	7.21 a	9.8 a	15.52 a
	16	1.71 a*	2.7 a	4.84 a	6.67 a	10.7 a	2.23 a*	3.71 a	6.99 a	9.6 a	15.33 a
	24	1.33 a*	2.33 a	4.5 a	6.34 a	10.38 a	1.82 a*	3.28 a	6.57 a	9.22 a	14.96 a
9	12	1.75 a*	2.73 a	4.87 a	6.69 a	10.72 a	2.27 a*	3.74 a	7.02 a	9.63 a	15.35 a
	16	1.5 a*	2.5 a	4.65 a	6.49 a	10.51 a	2.01 a*	3.47 a	6.75 a	9.38 a	15.11 a
	24	1.02 a*	2.03 a	4.22 a	6.07 a	10.1 a	1.49 a*	2.92 a	6.21 a	8.88 a	14.64 a
10	12	1.57 a*	2.56 a	4.7 a	6.53 a	10.56 a	2.07 a*	3.54 a	6.81 a	9.43 a	15.16 a
	16	1.27 a*	2.27 a	4.44 a	6.27 a	10.3 a	1.75 a*	3.2 a	6.47 a	9.12 a	14.86 a
	24	0.68 a*	1.7 a	3.91 a	5.75 a	9.79 a	1.12 a*	2.53 a	5.8 a	8.5 a	14.26 a
12	12	1.16 a*	2.15 a	4.31 a	6.15 a	10.17 a	1.63 a*	3.05 a	6.3 a	8.95 a	14.68 a
	16	0.74 a*	1.74 a	3.93 a	5.76 a	9.78 a	1.17 a*	2.57 a	5.81 a	8.49 a	14.23 a
	24		0.95 a	3.17 a	5.02 a	9.03 a	0.31 a*	1.64 a	4.85 a	7.59 a	13.34 a
14	12	0.69 a*	1.68 a	3.84 a	5.67 a	9.66 a	1.1 a*	2.46 a	5.59 a	8.29 a	14.05 a
	16	0.15 b*	1.14 a	3.32 a	5.14 a	9.13 a	0.52 a*	1.83 a	4.94 a	7.66 a	13.41 a
	24		0.12 b	2.33 a	4.14 a	8.09 a		0.64 a	3.69 a	6.45 a	12.18 a
16	12	0.19 b*	1.15 a	3.29 a	5.09 a	9.04 a	0.54 a*	1.79 a	4.71 a	7.3 a	12.92 a
	16		0.49 b	2.63 a	4.42 a	8.34 a		1.03 a	3.91 a	6.52 a	12.09 a
	24			1.41 c	3.16 b	7 a			2.44 b	5.06 a	10.53 a

See Combined Axial and Lateral Load Table Notes on page 33.

Combined Axial and Lateral Load Tables



35 psf Lateral Load															
Wall Height (ft)	Spacing (in.) o.c.	350S162-(mils)					362S137-(mils)				362S162-(mils)				
		33 ksi		50 ksi			33 ksi		50 ksi		33 ksi		50 ksi		
		33	43	54	68	97	33	43	54	68	33	43	54	68	97
8	12	0.6 b	1.3 a	2.81 a	3.9 a	6.13 a	0.4 b	0.98 a	2.27 a	3.27 a	0.67 b	1.4 a	2.99 a	4.19 a	6.55 a
	16	0.2 d	0.87 b	2.41 a	3.49 a	5.67 a	0.03 d	0.59 c	1.91 b	2.88 a	0.27 c	0.98 b	2.59 a	3.77 a	6.09 a
	24		0.11 d	1.68 c	2.73 b	4.8 a			1.24 d	2.17 c		0.2 d	1.85 c	3 b	5.21 a
9	12	0.26 d	0.89 c	2.28 b	3.27 a	5.26 a	0.1 d	0.63 c	1.84 b	2.74 a	0.33 c	0.99 b	2.47 a	3.55 a	5.68 a
	16		0.42 d	1.83 c	2.8 b	4.73 a		0.19 d	1.43 c	2.3 b		0.52 d	2.02 c	3.07 b	5.14 a
	24			1.04 e	1.96 d	3.76 c			0.68 e	1.51 d			1.2 d	2.2 d	4.15 b
10	12		0.51 d	1.77 c	2.65 b	4.39 a		0.29 d	1.42 c	2.22 c	0.01 e	0.6 d	1.96 c	2.92 b	4.79 a
	16		0.01 e	1.3 d	2.15 d	3.82 b			0.97 d	1.74 d		0.09 e	1.47 d	2.4 c	4.2 b
	24			0.47 e	1.27 e	2.8 d			0.19 e	0.9 e			0.61 e	1.48 e	3.15 d
12	12			0.91 e	1.58 d	2.84 c			0.68 e	1.28 e			1.06 e	1.78 d	3.17 c
	16			0.44 f	1.07 e	2.26 d			0.22 f	0.79 e			0.56 e	1.25 e	2.56 d
	24				0.21 f	1.26 e								0.34 f	1.51 e
14	12			0.32 f	0.82 f	1.73 e			0.15 f	0.6 f			0.41 f	0.96 e	1.97 e
	16				0.34 f	1.18 f				0.13 f				0.45 f	1.39 e
	24					0.25 f									0.4 f
16	12				0.3 f	0.97 f				0.13 f				0.39 f	1.14 f
	16					0.47 f									0.61 f
	24														

35 psf Lateral Load															
Wall Height (ft)	Spacing (in.) o.c.	362S200-(mils)					400S137-(mils)				400S162-(mils)				
		33 ksi		50 ksi			33 ksi		50 ksi		33 ksi		50 ksi		
		33	43	54	68	97	33	43	54	68	33	43	54	68	97
8	12	0.93 a	1.92 a	3.85 a	5.38 a	8.18 a	0.56 a	1.21 a	2.65 a	3.89 a	0.87 a	1.68 a	3.49 a	4.99 a	7.79 a
	16	0.49 b	1.45 a	3.39 a	4.92 a	7.7 a	0.2 c	0.83 a	2.29 a	3.5 a	0.47 b	1.26 a	3.09 a	4.57 a	7.32 a
	24		0.6 c	2.54 b	4.07 a	6.78 a		0.11 c	1.62 c	2.77 a		0.49 c	2.34 b	3.76 a	6.43 a
9	12	0.54 c	1.44 a	3.2 a	4.6 a	7.16 a	0.25 c	0.86 b	2.24 a	3.42 a	0.52 b	1.28 a	2.99 a	4.38 a	6.94 a
	16	0.05 d	0.92 c	2.68 b	4.07 a	6.59 a		0.42 c	1.82 b	2.95 a	0.07 d	0.79 c	2.52 a	3.87 a	6.38 a
	24			1.74 d	3.12 c	5.54 a			1.05 d	2.09 c			1.66 c	2.94 c	5.34 a
10	12	0.17 d	0.99 c	2.57 b	3.83 a	6.11 a		0.51 c	1.82 b	2.87 a	0.19 d	0.88 c	2.47 b	3.73 a	6.04 a
	16		0.42 d	2.01 c	3.26 b	5.49 a		0.02 d	1.35 d	2.35 c		0.35 d	1.95 c	3.17 b	5.41 a
	24			1.02 e	2.24 d	4.37 c			0.5 e	1.42 d			1.02 e	2.15 d	4.26 c
12	12		0.21 e	1.46 d	2.45 d	4.19 b			1.02 e	1.82 d		0.16 e	1.49 d	2.47 c	4.27 b
	16			0.9 e	1.86 e	3.54 d			0.5 e	1.26 e			0.93 e	1.86 d	3.58 c
	24				0.84 f	2.39 e				0.28 f				0.79 e	2.36 e
14	12			0.67 e	1.43 e	2.73 d			0.38 f	0.98 e			0.72 e	1.45 e	2.79 d
	16			0.14 f	0.87 f	2.11 e				0.43 f			0.17 f	0.85 f	2.12 e
	24					1.03 f									0.96 f
16	12			0.14 f	0.73 f	1.72 e				0.38 f			0.18 f	0.72 f	1.73 e
	16				0.21 f	1.13 f								0.17 f	1.1 f
	24					0.14 f									0.03 f

See Combined Axial and Lateral Load Table Notes on page 33.

Combined Axial and Lateral Load Tables



35 psf Lateral Load

Wall Height (ft)	Spacing (in.) o.c.	400S200-(mils)					550S162-(mils)					600S137-(mils)				
		33 ksi		50 ksi			33 ksi		50 ksi			33 ksi		50 ksi		
		33	43	54	68	97	33	43	54	68	97	33	43	54	68	97
8	12	1.16 a	2.26 a	4.48 a	6.34 a	9.69 a	1.49 a	2.54 a	4.83 a	6.68 a	10.55 a	1.08 a	1.84 a	3.24 a	4.49 a	7.08 a
	16	0.72 a	1.8 a	4.02 a	5.88 a	9.2 a	1.16 a	2.23 a	4.53 a	6.38 a	10.25 a	0.82 a	1.58 a	3.03 a	4.28 a	6.9 a
	24		0.95 b	3.15 a	5 a	8.26 a	0.52 a	1.63 a	3.94 a	5.8 a	9.67 a	0.32 a	1.09 a	2.6 a	3.86 a	6.53 a
9	12	0.77 b	1.79 a	3.84 a	5.6 a	8.68 a	1.2 a	2.25 a	4.53 a	6.4 a	10.26 a	0.87 a	1.62 a	3.05 a	4.31 a	6.92 a
	16	0.27 c	1.26 b	3.31 a	5.04 a	8.09 a	0.8 a	1.87 a	4.15 a	6.02 a	9.87 a	0.55 a	1.3 a	2.78 a	4.03 a	6.68 a
	24		0.3 d	2.32 c	4.03 b	6.99 a	0.03 b	1.13 a	3.41 a	5.28 a	9.12 a		0.69 a	2.24 a	3.5 a	6.21 a
10	12	0.39 c	1.33 b	3.2 a	4.81 a	7.62 a	0.89 a	1.93 a	4.14 a	6.06 a	9.91 a	0.63 a	1.38 a	2.84 a	4.09 a	6.72 a
	16		0.74 c	2.61 b	4.2 a	6.95 a	0.42 b	1.48 a	3.69 a	5.59 a	9.42 a	0.25 a	1 a	2.5 a	3.75 a	6.42 a
	24			1.54 d	3.08 c	5.73 b		0.61 b	2.82 a	4.69 a	8.48 a		0.27 b	1.84 a	3.09 a	5.84 a
12	12		0.49 d	2.01 c	3.3 c	5.54 a	0.25 c	1.24 b	3.27 a	5.04 a	8.98 a	0.13 c	0.85 a	2.33 a	3.57 a	6.24 a
	16			1.37 d	2.63 d	4.79 b		0.66 c	2.68 b	4.41 a	8.27 a		0.34 c	1.86 b	3.09 a	5.8 a
	24			0.26 e	1.45 e	3.48 d			1.59 d	3.26 c	6.95 a			0.98 d	2.19 c	4.96 a
14	12			1.06 e	2.05 d	3.76 c		0.56 d	2.35 c	3.91 b	7.33 a		0.28 d	1.75 c	2.95 a	5.62 a
	16			0.44 f	1.4 e	3.03 d			1.67 d	3.18 c	6.49 b			1.16 d	2.33 c	5.03 a
	24				0.28 f	1.77 e			0.47 e	1.88 e	4.98 d			0.1 e	1.21 d	3.94 c
16	12			0.4 f	1.16 e	2.47 e			1.5 d	2.82 d	5.69 b			1.15 d	2.27 c	4.89 b
	16				0.55 f	1.79 e			0.79 e	2.05 e	4.79 d			0.47 e	1.55 d	4.16 c
	24					0.62 f				0.72 f	3.22 e			0.27 e	2.86 e	

35 psf Lateral Load

Wall Height (ft)	Spacing (in.) o.c.	600S162-(mils)					600S200-(mils)					800S137-(mils)				
		33 ksi		50 ksi			33 ksi		50 ksi			33 ksi		50 ksi		
		33	43	54	68	97	33	43	54	68	97	33	43	54	68	97
8	12	1.6 a	2.65 a	4.9 a	6.76 a	10.73 a	2.01 a	3.41 a	6.56 a	9.13 a	14.81 a	1.22 a*	1.96 a	3.19 a	4.38 a	6.89 a
	16	1.3 a	2.36 a	4.64 a	6.5 a	10.47 a	1.7 a	3.07 a	6.22 a	8.81 a	14.49 a	1.03 a*	1.78 a	3.04 a	4.24 a	6.75 a
	24	0.7 a	1.81 a	4.11 a	5.99 a	9.97 a	1.07 a	2.41 a	5.55 a	8.18 a	13.85 a	0.66 a*	1.42 a	2.75 a	3.96 a	6.49 a
9	12	1.34 a	2.4 a	4.66 a	6.52 a	10.49 a	1.73 a	3.09 a	6.17 a	8.72 a	14.3 a	1.06 a*	1.81 a	3.06 a	4.26 a	6.77 a
	16	0.96 a	2.05 a	4.32 a	6.19 a	10.16 a	1.34 a	2.67 a	5.74 a	8.31 a	13.89 a	0.83 a*	1.58 a	2.88 a	4.08 a	6.6 a
	24	0.24 a	1.36 a	3.66 a	5.53 a	9.5 a	0.58 a	1.85 a	4.9 a	7.52 a	13.07 a	0.36 a*	1.13 a	2.51 a	3.73 a	6.26 a
10	12	1.06 a	2.13 a	4.38 a	6.24 a	10.2 a	1.42 a	2.73 a	5.71 a	8.23 a	13.69 a	0.89 a*	1.64 a	2.93 a	4.13 a	6.65 a
	16	0.61 a	1.7 a	3.96 a	5.82 a	9.78 a	0.95 a	2.23 a	5.19 a	7.73 a	13.18 a	0.6 a*	1.36 a	2.69 a	3.91 a	6.43 a
	24		0.88 a	3.15 a	5.02 a	8.96 a	0.07 b	1.26 a	4.2 a	6.77 a	12.18 a	0.03 a*	0.81 a	2.24 a	3.47 a	6.01 a
12	12	0.44 b	1.49 a	3.68 a	5.56 a	9.46 a	0.76 a	1.94 a	4.67 a	7.07 a	12.18 a	0.5 a*	1.26 a	2.6 a	3.81 a	6.34 a
	16		0.92 b	3.1 a	4.96 a	8.84 a	0.16 c	1.28 a	3.98 a	6.39 a	11.45 a	0.1 a*	0.86 a	2.27 a	3.49 a	6.03 a
	24			2.03 c	3.84 b	7.66 a		0.06 c	2.7 b	5.12 a	10.08 a		0.1 a	1.62 a	2.86 a	5.41 a
14	12		0.81 c	2.8 b	4.54 a	8.45 a	0.1 c	1.13 b	3.55 a	5.75 a	10.37 a	0.07 b*	0.81 a	2.21 a	3.43 a	5.95 a
	16		0.14 d	2.11 c	3.8 b	7.62 a		0.36 d	2.74 c	4.93 b	9.46 a		0.3 b	1.77 a	2.99 a	5.53 a
	24			0.87 e	2.48 d	6.11 c			1.28 d	3.44 d	7.8 b			0.92 c	2.15 a	4.7 a
16	12		0.17 d	1.93 d	3.45 c	6.85 a		0.38 d	2.48 c	4.43 b	8.46 a		0.33 b	1.77 a	2.98 a	5.49 a
	16			1.18 e	2.64 d	5.92 c			1.6 d	3.53 c	7.44 b			1.22 c	2.42 a	4.94 a
	24				1.22 e	4.28 d			0.08 e	1.94 e	5.64 d			0.18 d	1.37 c	3.87 b

See Combined Axial and Lateral Load Table Notes on page 33.

Combined Axial and Lateral Load Tables



35 psf Lateral Load											
Wall Height (ft)	Spacing (in.) o.c.	800S162-(mils)					800S200-(mils)				
		33 ksi		50 ksi			33 ksi		50 ksi		
		33	43	54	68	97	33	43	54	68	97
8	12	1.81 a*	2.79 a	4.92 a	6.75 a	10.78 a	2.34 a*	3.82 a	7.1 a	9.7 a	15.42 a
	16	1.58 a*	2.58 a	4.73 a	6.56 a	10.59 a	2.1 a*	3.57 a	6.85 a	9.47 a	15.21 a
	24	1.14 a*	2.15 a	4.34 a	6.18 a	10.22 a	1.62 a*	3.07 a	6.36 a	9.02 a	14.78 a
9	12	1.62 a*	2.61 a	4.76 a	6.59 a	10.62 a	2.14 a*	3.61 a	6.89 a	9.5 a	15.23 a
	16	1.34 a*	2.34 a	4.51 a	6.35 a	10.38 a	1.83 a*	3.29 a	6.57 a	9.21 a	14.95 a
	24	0.78 a*	1.8 a	4.01 a	5.86 a	9.9 a	1.23 a*	2.66 a	5.94 a	8.64 a	14.4 a
10	12	1.42 a*	2.41 a	4.57 a	6.4 a	10.43 a	1.91 a*	3.37 a	6.64 a	9.28 a	15.01 a
	16	1.07 a*	2.08 a	4.26 a	6.1 a	10.13 a	1.54 a*	2.97 a	6.25 a	8.91 a	14.66 a
	24	0.4 a*	1.42 a	3.65 a	5.5 a	9.53 a	0.81 a*	2.2 a	5.47 a	8.2 a	13.96 a
12	12	0.95 a*	1.94 a	4.12 a	5.95 a	9.97 a	1.4 a*	2.81 a	6.05 a	8.72 a	14.45 a
	16	0.47 a*	1.47 a	3.67 a	5.51 a	9.53 a	0.88 a*	2.26 a	5.48 a	8.19 a	13.93 a
	24		0.56 a	2.81 a	4.65 a	8.66 a		1.18 a	4.38 a	7.15 a	12.9 a
14	12	0.42 a*	1.4 a	3.58 a	5.4 a	9.39 a	0.81 a*	2.14 a	5.26 a	7.97 a	13.73 a
	16		0.79 a	2.98 a	4.8 a	8.78 a	0.15 b*	1.42 a	4.51 a	7.25 a	13 a
	24			1.85 b	3.66 a	7.59 a		0.08 b	3.1 a	5.88 a	11.58 a
16	12		0.81 b	2.96 a	4.75 a	8.69 a	0.19 b*	1.41 a	4.3 a	6.91 a	12.5 a
	16		0.07 c	2.22 b	3.99 a	7.88 a		0.55 b	3.4 a	6.02 a	11.56 a
	24			0.84 d	2.57 c	6.36 a			1.75 c	4.37 b	9.79 a

See Combined Axial and Lateral Load Table Notes on page 33.

Combined Axial and Lateral Load Tables



40 psf Lateral Load

Wall Height (ft)	Spacing (in.) o.c.	350S162-(mils)					362S137-(mils)				362S162-(mils)										
		33 ksi		50 ksi			33 ksi		50 ksi		33 ksi		50 ksi								
		33	43	54	68	97	33	43	54	68	33	43	54	68	97						
8	12	0.43 c	1.11 b	2.64 a	3.72 a	5.93 a	0.24 c	0.81 b	2.11 a	3.1 a	0.5 b	1.21 a	2.82 a	4.01 a	6.35 a						
	16		0.65 c	2.19 b	3.26 a	5.41 a		0.38 c	1.71 b	2.67 a	0.06 d	0.75 c	2.37 b	3.54 a	5.83 a						
	24			1.39 d	2.42 c	4.45 a			0.97 d	1.88 c			1.56 d	2.68 c	4.85 a						
9	12	0.07 d	0.69 c	2.08 b	3.06 a	5.02 a		0.44 d	1.66 c	2.55 b	0.13 d	0.78 c	2.27 b	3.34 a	5.44 a						
	16		0.17 d	1.6 d	2.55 c	4.44 a			1.21 d	2.07 c			1.77 c	2.82 b	4.84 a						
	24			0.72 e	1.63 d	3.38 c			0.39 e	1.19 e			0.87 e	1.86 d	3.75 c						
10	12		0.29 d	1.56 d	2.43 c	4.13 a		0.09 e	1.22 d	2.01 c		0.38 d	1.74 c	2.69 b	4.53 a						
	16			1.05 e	1.89 d	3.51 c			0.74 e	1.49 d			1.21 d	2.12 d	3.89 b						
	24			0.15 f	0.93 e	2.4 d				0.57 e			0.27 e	1.12 e	2.73 d						
12	12			0.71 e	1.35 e	2.58 d			0.48 e	1.06 e			0.84 e	1.55 e	2.9 d						
	16			0.2 f	0.81 e	1.96 e							0.53 f	0.3 f	0.98 e	2.24 e					
	24					0.87 f										1.1 f					
14	12			0.13 f	0.6 f	1.49 e							0.2 f	0.73 f	1.71 e						
	16				0.09 f	0.9 f												0.19 f	1.09 f		
	24																		0.02 f		
16	12				0.11 f	0.75 f									0.9 f						
	16					0.21 f															0.33 f
	24																				

40 psf Lateral Load

Wall Height (ft)	Spacing (in.) o.c.	362S200-(mils)					400S137-(mils)				400S162-(mils)									
		33 ksi		50 ksi			33 ksi		50 ksi		33 ksi		50 ksi							
		33	43	54	68	97	33	43	54	68	33	43	54	68	97					
8	12	0.74 b	1.71 a	3.65 a	5.18 a	7.97 a	0.4 b	1.04 a	2.5 a	3.72 a	0.7 a	1.5 a	3.32 a	4.81 a	7.58 a					
	16	0.25 c	1.2 b	3.14 a	4.67 a	7.43 a		0.61 b	2.1 a	3.29 a	0.26 c	1.03 a	2.87 a	4.33 a	7.06 a					
	24		0.26 d	2.19 c	3.72 b	6.41 a			1.34 c	2.47 b		0.17 c	2.04 b	3.44 a	6.06 a					
9	12	0.32 c	1.21 b	2.97 a	4.37 a	6.91 a	0.07 d	0.67 c	2.06 a	3.21 a	0.33 c	1.07 b	2.78 a	4.16 a	6.7 a					
	16		0.64 c	2.4 c	3.79 a	6.28 a		0.18 d	1.59 c	2.7 b			0.53 c	2.26 b	3.6 a	6.07 a				
	24			1.36 d	2.74 c	5.12 b			0.74 d	1.75 d				1.32 d	2.57 c	4.92 b				
10	12		0.74 d	2.32 c	3.58 b	5.84 a		0.3 d	1.61 c	2.65 b		0.64 c	2.24 b	3.48 a	5.76 a					
	16			0.13 e	1.71 d	2.95 c			5.15 a	1.09 d			2.07 c	0.06 d	1.67 d	2.86 c	5.06 a			
	24				0.64 e	1.85 e			3.92 c				0.17 e	1.05 e		0.66 e	1.75 d	3.8 c		
12	12			1.21 e	2.19 d	3.9 c			0.79 e	1.58 d			1.25 e	2.2 d	3.96 c					
	16			0.6 e	1.55 e	3.19 d			0.23 f	0.96 e				0.64 e	1.54 e	3.21 d				
	24				0.45 f	1.95 e									0.38 f	1.89 e				
14	12			0.43 f	1.18 e	2.45 e			0.15 f	0.73 f			0.48 f	1.18 e	2.49 d					
	16				0.58 f	1.78 e							0.14 f			0.54 f	1.76 e			
	24					0.62 f											0.51 f			
16	12				0.5 f	1.46 f				0.15 f				0.48 f	1.45 e					
	16					0.83 f														0.77 f
	24																			

See Combined Axial and Lateral Load Table Notes on page 33.

Combined Axial and Lateral Load Tables



40 psf Lateral Load																
Wall Height (ft)	Spacing (in.) o.c.	400S200-(mils)					550S162-(mils)					600S137-(mils)				
		33 ksi		50 ksi			33 ksi		50 ksi			33 ksi		50 ksi		
		33	43	54	68	97	33	43	54	68	97	33	43	54	68	97
8	12	0.97 a	2.06 a	4.28 a	6.14 a	9.48 a	1.35 a	2.41 a	4.7 a	6.55 a	10.42 a	0.97 a	1.73 a	3.15 a	4.4 a	7 a
	16	0.49 b	1.55 a	3.76 a	5.62 a	8.93 a	0.98 a	2.06 a	4.36 a	6.22 a	10.09 a	0.68 a	1.44 a	2.9 a	4.16 a	6.79 a
	24		0.61 c	2.8 b	4.64 a	7.88 a	0.26 a	1.37 a	3.7 a	5.56 a	9.42 a	0.11 a	0.88 a	2.42 a	3.68 a	6.38 a
9	12	0.55 b	1.56 a	3.61 a	5.36 a	8.43 a	1.03 a	2.09 a	4.36 a	6.23 a	10.09 a	0.73 a	1.48 a	2.93 a	4.19 a	6.81 a
	16		0.97 b	3.01 a	4.74 a	7.77 a	0.57 a	1.65 a	3.93 a	5.81 a	9.66 a	0.37 a	1.13 a	2.62 a	3.88 a	6.54 a
	24			1.93 c	3.62 b	6.55 a		0.82 a	3.11 a	4.98 a	8.8 a		0.43 a	2.01 a	3.27 a	6.01 a
10	12	0.15 d	1.07 c	2.94 a	4.54 a	7.33 a	0.69 a	1.74 a	3.94 a	5.85 a	9.7 a	0.47 a	1.22 a	2.69 a	3.94 a	6.59 a
	16		0.43 d	2.29 c	3.86 b	6.59 a	0.16 b	1.22 a	3.43 a	5.33 a	9.15 a	0.04 b	0.79 a	2.31 a	3.56 a	6.25 a
	24			1.13 d	2.64 d	5.25 b		0.26 c	2.46 b	4.32 a	8.09 a			1.57 b	2.82 a	5.59 a
12	12		0.2 e	1.73 d	3.01 c	5.21 b		0.99 b	3.01 a	4.77 a	8.67 a		0.63 b	2.13 a	3.36 a	6.05 a
	16			1.03 e	2.27 d	4.4 c		0.34 d	2.35 c	4.07 b	7.88 a		0.06 c	1.6 b	2.82 a	5.55 a
	24				1 e	2.97 e			1.16 d	2.8 d	6.43 b			0.63 d	1.82 c	4.62 b
14	12			0.79 e	1.76 e	3.44 d		0.26 d	2.05 d	3.59 c	6.96 a		0.01 d	1.5 c	2.68 b	5.36 a
	16			0.12 f	1.06 e	2.65 e			1.31 e	2.79 d	6.03 c			0.85 d	2 d	4.71 b
	24					1.29 f				1.38 e	4.39 d				0.77 e	3.5 d
16	12			0.14 f	0.89 f	2.17 e			1.19 e	2.48 d	5.29 c			0.85 e	1.95 d	4.57 c
	16				0.24 f	1.43 f			0.42 f	1.65 e	4.31 d			0.11 e	1.16 e	3.77 d
	24					0.17 f				0.2 f	2.62 e					2.35 e

40 psf Lateral Load																
Wall Height (ft)	Spacing (in.) o.c.	600S162-(mils)					600S200-(mils)					800S137-(mils)				
		33 ksi		50 ksi			33 ksi		50 ksi			33 ksi		50 ksi		
		33	43	54	68	97	33	43	54	68	97	33	43	54	68	97
8	12	1.47 a	2.53 a	4.79 a	6.65 a	10.62 a	1.88 a	3.27 a	6.42 a	9 a	14.67 a	1.14 a*	1.88 a	3.12 a	4.32 a	6.83 a
	16	1.12 a	2.2 a	4.48 a	6.35 a	10.33 a	1.52 a	2.88 a	6.03 a	8.63 a	14.3 a	0.92 a*	1.67 a	2.96 a	4.16 a	6.68 a
	24	0.45 a	1.58 a	3.89 a	5.77 a	9.75 a	0.81 a	2.13 a	5.27 a	7.92 a	13.58 a	0.5 a*	1.26 a	2.62 a	3.84 a	6.37 a
9	12	1.18 a	2.25 a	4.52 a	6.38 a	10.35 a	1.56 a	2.91 a	5.98 a	8.54 a	14.12 a	0.96 a*	1.71 a	2.98 a	4.19 a	6.7 a
	16	0.75 a	1.85 a	4.13 a	6 a	9.97 a	1.12 a	2.43 a	5.49 a	8.08 a	13.65 a	0.69 a*	1.45 a	2.77 a	3.98 a	6.51 a
	24		1.07 a	3.38 a	5.26 a	9.22 a	0.27 a	1.51 a	4.55 a	7.18 a	12.73 a	0.16 a*	0.94 a	2.35 a	3.58 a	6.12 a
10	12	0.86 a	1.94 a	4.2 a	6.06 a	10.02 a	1.22 a	2.51 a	5.49 a	8.02 a	13.47 a	0.77 a*	1.52 a	2.83 a	4.03 a	6.55 a
	16	0.36 a	1.46 a	3.73 a	5.59 a	9.54 a	0.69 a	1.94 a	4.9 a	7.45 a	12.89 a	0.44 a*	1.2 a	2.56 a	3.78 a	6.31 a
	24		0.54 b	2.82 a	4.68 a	8.61 a		0.86 a	3.78 a	6.37 a	11.76 a		0.58 a	2.04 a	3.28 a	5.83 a
12	12	0.19 c	1.24 a	3.43 a	5.3 a	9.19 a	0.5 b	1.66 a	4.37 a	6.77 a	11.86 a	0.33 a*	1.09 a	2.46 a	3.67 a	6.2 a
	16		0.61 c	2.78 b	4.63 a	8.49 a		0.92 b	3.6 a	6.01 a	11.05 a		0.64 a	2.08 a	3.31 a	5.85 a
	24			1.59 d	3.39 c	7.17 a			2.19 c	4.6 b	9.52 a			1.35 a	2.59 a	5.15 a
14	12		0.52 d	2.5 c	4.21 a	8.09 a		0.79 c	3.19 b	5.39 a	9.97 a		0.59 a	2.02 a	3.24 a	5.77 a
	16				1.74 d	3.41 c			2.3 c	4.48 b	8.96 a		0.02 b	1.52 a	2.75 a	5.29 a
	24			0.38 e	1.95 d	5.51 c			0.71 e	2.85 d	7.15 c			0.57 c	1.8 b	4.35 a
16	12			1.6 d	3.09 c	6.44 b		0.01 d	2.09 d	4.03 c	8.01 a		0.06 c	1.53 b	2.74 a	5.25 a
	16			0.78 e	2.21 d	5.43 c			1.14 e	3.05 d	6.9 c			0.91 c	2.11 b	4.63 a
	24				0.67 e	3.65 e				1.32 e	4.94 d			0.95 d	3.44 c	

See Combined Axial and Lateral Load Table Notes on page 33.

Combined Axial and Lateral Load Tables



40 psf Lateral Load

Wall Height (ft)	Spacing (in.) o.c.	800S162-(mils)					800S200-(mils)				
		33 ksi		50 ksi			33 ksi		50 ksi		
		33	43	54	68	97	33	43	54	68	97
8	12	1.71 a*	2.7 a	4.84 a	6.67 a	10.7 a	2.23 a*	3.71 a	6.99 a	9.6 a	15.33 a
	16	1.46 a*	2.45 a	4.62 a	6.45 a	10.49 a	1.96 a*	3.42 a	6.71 a	9.34 a	15.08 a
	24	0.95 a*	1.97 a	4.17 a	6.02 a	10.06 a	1.42 a*	2.85 a	6.15 a	8.83 a	14.59 a
9	12	1.5 a*	2.5 a	4.65 a	6.49 a	10.51 a	2.01 a*	3.47 a	6.75 a	9.38 a	15.11 a
	16	1.18 a*	2.19 a	4.37 a	6.21 a	10.24 a	1.66 a*	3.11 a	6.39 a	9.05 a	14.79 a
	24	0.55 a*	1.57 a	3.8 a	5.66 a	9.69 a	0.98 a*	2.39 a	5.68 a	8.39 a	14.16 a
10	12	1.27 a*	2.27 a	4.44 a	6.27 a	10.3 a	1.75 a*	3.2 a	6.47 a	9.12 a	14.86 a
	16	0.88 a*	1.89 a	4.08 a	5.93 a	9.96 a	1.33 a*	2.75 a	6.02 a	8.71 a	14.46 a
	24	0.11 a*	1.14 a	3.39 a	5.24 a	9.28 a	0.51 a*	1.88 a	5.14 a	7.89 a	13.67 a
12	12	0.74 a*	1.74 a	3.93 a	5.76 a	9.78 a	1.17 a*	2.57 a	5.81 a	8.49 a	14.23 a
	16	0.2 a*	1.21 a	3.42 a	5.26 a	9.28 a	0.59 a*	1.94 a	5.16 a	7.89 a	13.63 a
	24		0.18 a	2.45 a	4.29 a	8.29 a		0.74 a	3.92 a	6.72 a	12.47 a
14	12	0.15 b*	1.14 a	3.32 a	5.14 a	9.13 a	0.52 a*	1.83 a	4.94 a	7.66 a	13.41 a
	16		0.45 b	2.65 a	4.47 a	8.43 a		1.03 a	4.1 a	6.85 a	12.58 a
	24			1.39 c	3.19 a	7.1 a			2.52 b	5.31 a	11 a
16	12		0.49 b	2.63 a	4.42 a	8.34 a		1.03 a	3.91 a	6.52 a	12.09 a
	16			1.81 c	3.57 a	7.44 a		0.09 c	2.91 b	5.53 a	11.04 a
	24			0.29 d	2 c	5.75 b			1.09 d	3.71 c	9.08 a

See Combined Axial and Lateral Load Table Notes on page 33.

Combined Axial and Lateral Load Tables



50 psf Lateral Load															
Wall Height (ft)	Spacing (in.) o.c.	350S162-(mils)					362S137-(mils)				362S162-(mils)				
		33 ksi		50 ksi			33 ksi		50 ksi		33 ksi		50 ksi		
		33	43	54	68	97	33	43	54	68	33	43	54	68	97
8	12	0.09 d	0.76 c	2.3 b	3.38 a	5.54 a		0.49 c	1.81 b	2.78 a	0.16 c	0.86 b	2.48 a	3.66 a	5.96 a
	16		0.21 d	1.78 c	2.83 b	4.92 a			1.33 c	2.27 b		0.31 d	1.96 c	3.1 b	5.33 a
	24			0.83 e	1.84 d	3.78 c			0.46 e	1.33 d			0.99 d	2.08 d	4.17 b
9	12		0.29 d	1.71 c	2.68 b	4.58 a		0.07 d	1.32 d	2.18 c		0.39 d	1.89 c	2.94 b	4.99 a
	16			1.14 d	2.08 d	3.89 b			0.78 e	1.61 d			1.31 d	2.32 c	4.28 b
	24			0.14 e	1 e	2.65 d				0.59 e			0.27 e	1.21 e	3.01 d
10	12			1.17 d	2.02 d	3.66 c			0.85 e	1.61 d			1.34 d	2.26 c	4.04 b
	16			0.58 e	1.39 e	2.93 d			0.29 e	1.01 e			0.72 e	1.61 d	3.29 c
	24				0.29 f	1.66 e								0.45 e	1.96 e
12	12			0.32 f	0.94 e	2.11 e			0.1 f	0.66 e			0.43 f	1.11 e	2.4 d
	16				0.32 f	1.39 e				0.06 f				0.46 f	1.65 e
	24					0.16 f									0.34 f
14	12				0.21 f	1.04 f				0.01 f				0.32 f	1.24 f
	16					0.37 f									0.53 f
	24														
16	12					0.34 f									0.47 f
	16														
	24														

50 psf Lateral Load															
Wall Height (ft)	Spacing (in.) o.c.	362S200-(mils)					400S137-(mils)				400S162-(mils)				
		33 ksi		50 ksi			33 ksi		50 ksi		33 ksi		50 ksi		
		33	43	54	68	97	33	43	54	68	33	43	54	68	97
8	12	0.37 c	1.33 a	3.26 a	4.79 a	7.56 a	0.1 c	0.72 b	2.19 a	3.39 a	0.37 b	1.15 a	2.98 a	4.45 a	7.19 a
	16		0.72 c	2.65 b	4.18 a	6.91 a		0.21 c	1.71 b	2.87 a		0.59 c	2.45 a	3.87 a	6.55 a
	24			1.54 d	3.06 c	5.69 a			0.82 d	1.9 c			1.46 c	2.81 c	5.35 a
9	12		0.78 c	2.54 b	3.93 a	6.43 a		0.29 d	1.7 c	2.82 b		0.66 c	2.39 b	3.73 a	6.22 a
	16		0.1 d	1.86 d	3.25 c	5.68 a			1.15 d	2.21 c		0.04 d	1.78 c	3.07 b	5.48 a
	24			0.67 e	2.02 d	4.33 c			0.15 e	1.11 e			0.68 e	1.87 d	4.12 c
10	12		0.27 d	1.86 d	3.1 c	5.32 a			1.22 d	2.21 c		0.2 d	1.81 c	3.01 b	5.23 a
	16			1.15 e	2.38 d	4.52 c			0.62 e	1.55 d			1.15 d	2.29 d	4.41 b
	24				1.11 e	3.09 d				0.37 e				1 e	2.95 d
12	12			0.74 e	1.7 e	3.36 d			0.37 e	1.11 e			0.78 e	1.69 e	3.39 d
	16			0.05 f	0.98 e	2.55 e				0.41 f			0.09 f	0.93 e	2.52 e
	24					1.13 f									1.01 f
14	12				0.72 f	1.94 e				0.28 f			0.03 f	0.7 f	1.94 e
	16				0.05 f	1.17 f									1.11 f
	24														
16	12				0.08 f	0.98 f								0.02 f	0.94 f
	16					0.27 f									0.17 f
	24														

See Combined Axial and Lateral Load Table Notes on page 33.

Combined Axial and Lateral Load Tables



50 psf Lateral Load

Wall Height (ft)	Spacing (in.) o.c.	400S200-(mils)					550S162-(mils)					600S137-(mils)				
		33 ksi		50 ksi			33 ksi		50 ksi			33 ksi		50 ksi		
		33	43	54	68	97	33	43	54	68	97	33	43	54	68	97
8	12	0.6 b	1.67 a	3.89 a	5.75 a	9.06 a	1.07 a	2.14 a	4.44 a	6.3 a	10.17 a	0.75 a	1.51 a	2.96 a	4.22 a	6.85 a
	16	0.03 c	1.07 b	3.27 a	5.12 a	8.39 a	0.61 a	1.71 a	4.02 a	5.89 a	9.75 a	0.39 a	1.16 a	2.66 a	3.92 a	6.58 a
	24			2.13 c	3.95 b	7.14 a		0.88 a	3.21 a	5.08 a	8.93 a		0.47 a	2.06 a	3.33 a	6.07 a
9	12	0.14 c	1.12 b	3.16 a	4.89 a	7.93 a	0.69 a	1.76 a	4.04 a	5.91 a	9.76 a	0.46 a	1.21 a	2.7 a	3.96 a	6.61 a
	16		0.43 c	2.46 c	4.17 a	7.15 a	0.14 b	1.23 a	3.52 a	5.39 a	9.23 a	0.02 b	0.78 a	2.31 a	3.57 a	6.28 a
	24			1.19 d	2.84 c	5.7 b		0.23 c	2.52 b	4.38 a	8.19 a			1.57 a	2.83 a	5.62 a
10	12		0.59 d	2.45 c	4.03 b	6.77 a	0.29 b	1.35 a	3.56 a	5.46 a	9.28 a	0.14 b	0.89 a	2.4 a	3.65 a	6.34 a
	16			1.69 d	3.23 c	5.9 a		0.73 b	2.94 a	4.82 a	8.61 a		0.37 b	1.94 a	3.19 a	5.92 a
	24			0.35 e	1.82 e	4.33 c			1.78 c	3.61 b	7.34 a			1.04 c	2.29 b	5.11 a
12	12			1.2 e	2.45 d	4.59 c		0.5 c	2.51 b	4.24 a	8.07 a		0.2 c	1.73 b	2.96 a	5.68 a
	16			0.41 e	1.61 e	3.66 d			1.74 d	3.42 c	7.13 a			1.1 c	2.31 b	5.08 a
	24				0.16 f	2.03 e			0.35 e	1.93 d	5.43 c				1.12 d	3.95 c
14	12			0.28 f	1.23 e	2.84 e			1.49 d	2.98 d	6.26 b			1 d	2.17 c	4.87 b
	16				0.43 f	1.94 e			0.63 e	2.06 e	5.18 d			0.24 e	1.37 d	4.09 c
	24					0.4 f				0.44 f	3.29 e				2.67 e	
16	12				0.39 f	1.6 f			0.6 e	1.85 e	4.55 d			0.28 e	1.35 e	3.96 d
	16					0.77 f				0.89 f	3.43 e			0.44 e	3.03 e	
	24									1.52 f					1.39 f	

50 psf Lateral Load

Wall Height (ft)	Spacing (in.) o.c.	600S162-(mils)					600S200-(mils)					800S137-(mils)				
		33 ksi		50 ksi			33 ksi		50 ksi			33 ksi		50 ksi		
		33	43	54	68	97	33	43	54	68	97	33	43	54	68	97
8	12	1.21 a	2.28 a	4.56 a	6.43 a	10.4 a	1.6 a	2.98 a	6.12 a	8.72 a	14.4 a	0.98 a*	1.72 a	3 a	4.2 a	6.72 a
	16	0.78 a	1.89 a	4.18 a	6.06 a	10.04 a	1.16 a	2.5 a	5.64 a	8.27 a	13.94 a	0.71 a*	1.47 a	2.79 a	4 a	6.53 a
	24		1.12 a	3.45 a	5.34 a	9.32 a	0.3 a	1.58 a	4.71 a	7.39 a	13.05 a	0.18 a*	0.96 a	2.37 a	3.6 a	6.15 a
9	12	0.86 a	1.95 a	4.22 a	6.09 a	10.06 a	1.23 a	2.55 a	5.62 a	8.19 a	13.77 a	0.76 a*	1.51 a	2.82 a	4.03 a	6.55 a
	16	0.34 a	1.46 a	3.75 a	5.62 a	9.59 a	0.69 a	1.97 a	5.02 a	7.63 a	13.19 a	0.43 a*	1.19 a	2.56 a	3.78 a	6.31 a
	24		0.52 b	2.84 a	4.72 a	8.68 a		0.85 a	3.87 a	6.53 a	12.06 a		0.56 a	2.04 a	3.27 a	5.83 a
10	12	0.48 a	1.58 a	3.84 a	5.71 a	9.66 a	0.82 a	2.08 a	5.05 a	7.59 a	13.03 a	0.52 a*	1.28 a	2.63 a	3.84 a	6.37 a
	16		0.99 a	3.27 a	5.13 a	9.07 a	0.19 b	1.39 a	4.33 a	6.9 a	12.32 a	0.11 a*	0.89 a	2.3 a	3.53 a	6.07 a
	24			2.17 b	4.03 a	7.94 a		0.1 b	2.99 a	5.59 a	10.94 a		0.12 a	1.66 a	2.91 a	5.48 a
12	12		0.76 b	2.94 a	4.79 a	8.66 a		1.1 b	3.79 a	6.2 a	11.25 a		0.75 a	2.17 a	3.4 a	5.94 a
	16		0.01 d	2.17 c	4 b	7.82 a		0.23 c	2.88 b	5.29 a	10.27 a		0.21 a	1.71 a	2.95 a	5.5 a
	24			0.77 d	2.53 d	6.25 b			1.22 d	3.62 c	8.45 a			0.82 b	2.07 a	4.64 a
14	12			1.92 d	3.6 c	7.39 a		0.15 d	2.52 c	4.7 b	9.21 a		0.16 b	1.65 a	2.87 a	5.41 a
	16			1.03 e	2.66 d	6.32 c			1.48 d	3.64 c	8.03 b			1.04 b	2.27 a	4.81 a
	24				0.97 e	4.39 d				1.75 e	5.91 d				1.12 c	3.67 b
16	12			0.98 e	2.42 d	5.67 c			1.37 d	3.28 d	7.16 b			1.06 c	2.27 b	4.78 a
	16			0.04 f	1.41 e	4.5 d			0.28 e	2.15 e	5.88 d			0.32 d	1.52 c	4.02 b
	24					2.47 e				0.18 f	3.64 e			0.12 e	2.59 d	

See Combined Axial and Lateral Load Table Notes on page 33.

Combined Axial and Lateral Load Tables



50 psf Lateral Load											
Wall Height (ft)	Spacing (in.) o.c.	800S162-(mils)					800S200-(mils)				
		33 ksi		50 ksi			33 ksi		50 ksi		
		33	43	54	68	97	33	43	54	68	97
8	12	1.52 a*	2.52 a	4.67 a	6.51 a	10.54 a	2.03 a*	3.49 a	6.78 a	9.41 a	15.14 a
	16	1.2 a*	2.21 a	4.39 a	6.24 a	10.27 a	1.69 a*	3.14 a	6.43 a	9.09 a	14.84 a
	24	0.58 a*	1.61 a	3.84 a	5.7 a	9.74 a	1.01 a*	2.43 a	5.73 a	8.45 a	14.22 a
9	12	1.26 a*	2.26 a	4.44 a	6.28 a	10.31 a	1.75 a*	3.2 a	6.48 a	9.13 a	14.87 a
	16	0.86 a*	1.88 a	4.08 a	5.93 a	9.97 a	1.32 a*	2.75 a	6.03 a	8.72 a	14.48 a
	24	0.09 a*	1.12 a	3.39 a	5.25 a	9.29 a	0.48 a*	1.86 a	5.15 a	7.9 a	13.69 a
10	12	0.97 a*	1.98 a	4.17 a	6.01 a	10.04 a	1.43 a*	2.86 a	6.13 a	8.81 a	14.56 a
	16	0.49 a*	1.51 a	3.73 a	5.58 a	9.62 a	0.91 a*	2.31 a	5.58 a	8.3 a	14.06 a
	24		0.59 a	2.88 a	4.74 a	8.77 a		1.24 a	4.5 a	7.29 a	13.08 a
12	12	0.33 a*	1.34 a	3.55 a	5.39 a	9.4 a	0.73 a*	2.1 a	5.32 a	8.04 a	13.78 a
	16		0.69 a	2.93 a	4.77 a	8.78 a	0.02 a*	1.33 a	4.53 a	7.3 a	13.05 a
	24			1.74 a	3.58 a	7.56 a			3.03 a	5.87 a	11.62 a
14	12		0.62 a	2.82 a	4.64 a	8.6 a		1.22 a	4.3 a	7.05 a	12.79 a
	16			2.01 b	3.82 a	7.76 a		0.26 b	3.29 a	6.07 a	11.78 a
	24			0.5 d	2.27 c	6.14 a			1.42 c	4.22 b	9.86 a
16	12			2.01 b	3.78 a	7.66 a		0.32 c	3.15 a	5.77 a	11.3 a
	16			1.03 d	2.77 c	6.57 a			1.97 c	4.6 b	10.04 a
	24				0.91 d	4.57 c			2.45 d	7.71 b	

See Combined Axial and Lateral Load Table Notes on page 33.

Allowable Floor Joist Span Table Notes

1. Spans are based on continuous support of compression flange over the full length of the joist.
2. End shear and web crippling capacity have not been reduced for punchouts.
3. Calculated allowable properties are based on AISI S100-16, "North American Specification for Design of Cold-Formed Steel Structural Members."
4. For two equal spans, the listed span is the center-to-center distance from either end to the center support, with the joist continuous over the center support.
5. Joists must be braced against rotation at all supports.
6. End web crippling check is based on 3.5 inch end bearing. Joist flanges must be fastened to the support.
7. Shear capacity at mid-span support has been reduced for the presence of punchouts adjacent to the support. Mid-span combined bending and shear check based on stiffened web.
8. Deflection checks are computed using unbalanced loads for the two equal span condition.
9. Total load deflection limited to $L/240$. Live load deflection limit as noted.
10. "e" indicates that web stiffeners are required at the end supports only.
11. "i" indicates that web stiffeners are required at the interior supports only.
12. "a" indicates that web stiffeners are required at all the supports.
13. Allowable flexural strength values in the tables are based on the minimum of local, distortional, and lateral-torsional buckling. Distortional buckling strength is based on a $k\phi = 0$. Higher values may be obtained when sheathing is applied to the walls resulting in a higher $k\phi$ value.

Floor Joist Span Tables



10 psf Dead Load and 20 psf Live Load

Member	Fy (ksi)	Live Load Deflection L/360						Live Load Deflection L/480					
		Single Span			Two Equal Spans			Single Span			Two Equal Spans		
		Spacing (in) o.c.			Spacing (in) o.c.			Spacing (in) o.c.			Spacing (in) o.c.		
		12	16	24	12	16	24	12	16	24	12	16	24
600S162-33	33	14' 6"	12' 7" e	10' 3" e	14' 6" i	12' 7" i	10' 3" a	14' 4"	12' 7" e	10' 3" e	14' 6" i	12' 7" i	10' 3" a
600S200-33	33	15' 6"	13' 5" e	10' 11" e	15' 6" i	13' 5" i	10' 11" a	15' 0"	13' 5" e	10' 11" e	15' 6" i	13' 5" i	10' 11" a
600S162-43	33	17' 2"	15' 6"	12' 8"	17' 11" i	15' 6" i	12' 8" i	15' 7"	14' 2"	12' 5"	17' 6" i	15' 6" i	12' 8" i
600S200-43	33	18' 0"	16' 0"	13' 1"	18' 6" i	16' 0" i	13' 1" i	16' 5"	14' 11"	13' 0"	18' 5" i	16' 0" i	13' 1" i
600S250-43	33	18' 11"	16' 5"	13' 5" e	19' 0" i	16' 5" i	13' 5" i	17' 2"	15' 7"	13' 5" e	19' 0" i	16' 5" i	13' 5" i
600S162-54	50	18' 5"	16' 9"	14' 7"	20' 8"	18' 9" i	16' 5" i	16' 9"	15' 2"	13' 3"	18' 9"	17' 1"	14' 11" i
600S200-54	50	19' 4"	17' 7"	15' 4"	21' 9"	19' 9" i	17' 3" i	17' 7"	16' 0"	14' 0"	19' 9"	17' 11"	15' 8" i
600S250-54	50	20' 2"	18' 4"	16' 0"	22' 8"	20' 7" i	17' 10" i	18' 4"	16' 8"	14' 7"	20' 7"	18' 9"	16' 4" i
600S162-68	50	19' 9"	17' 11"	15' 8"	22' 2"	20' 2"	17' 7"	17' 11"	16' 4"	14' 3"	20' 2"	18' 4"	16' 0"
600S200-68	50	20' 9"	18' 10"	16' 6"	23' 4"	21' 2"	18' 6"	18' 10"	17' 2"	15' 0"	21' 2"	19' 3"	16' 10"
600S250-68	50	21' 9"	19' 9"	17' 3"	24' 5"	22' 3"	19' 5" i	19' 9"	18' 0"	15' 8"	22' 3"	20' 2"	17' 8"
600S162-97	50	21' 11"	19' 11"	17' 4"	24' 7"	22' 4"	19' 6"	19' 11"	18' 1"	15' 9"	22' 4"	20' 3"	17' 9"
600S200-97	50	23' 1"	20' 11"	18' 4"	25' 11"	23' 6"	20' 7"	20' 11"	19' 0"	16' 8"	23' 6"	21' 4"	18' 8"
600S250-97	50	24' 3"	22' 0"	19' 3"	27' 2"	24' 8"	21' 7"	22' 0"	20' 0"	17' 6"	24' 8"	22' 5"	19' 7"
600S162-118	50	23' 1"	21' 0"	18' 4"	25' 11"	23' 7"	20' 7"	21' 0"	19' 1"	16' 8"	23' 7"	21' 5"	18' 9"
600S200-118	50	24' 5"	22' 2"	19' 4"	27' 5"	24' 11"	21' 9"	22' 2"	20' 2"	17' 7"	24' 11"	22' 7"	19' 9"
600S250-118	50	25' 8"	23' 4"	20' 4"	28' 9"	26' 2"	22' 10"	23' 4"	21' 2"	18' 6"	26' 2"	23' 9"	20' 9"
800S162-33	33	16' 9" e	14' 6" e	11' 10" e	16' 9" a	14' 0" a	10' 6" a	16' 9" e	14' 6" e	11' 10" e	16' 9" a	14' 0" a	10' 6" a
800S200-33	33	18' 0" e	15' 7" e	12' 8" e	17' 10" a	14' 7" a	10' 10" a	18' 0" e	15' 7" e	12' 8" e	17' 10" a	14' 7" a	10' 10" a
800S162-43	33	20' 2"	17' 6"	14' 3" e	20' 2" i	17' 6" i	14' 3" i	19' 6"	17' 6"	14' 3" e	20' 2" i	17' 6" i	14' 3" i
800S200-43	33	21' 7"	18' 8"	15' 3" e	21' 7" i	18' 8" i	15' 3" a	20' 7"	18' 8"	15' 3" e	21' 7" i	18' 8" i	15' 3" a
800S250-43	33	22' 2"	19' 2" e	15' 8" e	22' 2" i	19' 2" i	15' 8" a	21' 5"	19' 2" e	15' 8" e	22' 2" i	19' 2" i	15' 8" a
800S162-54	50	23' 1"	20' 11"	18' 3"	25' 10" i	23' 5" i	19' 1" i	20' 11"	19' 0"	16' 7"	23' 6"	21' 4" i	18' 8" i
800S200-54	50	24' 4"	22' 1"	19' 4"	27' 3" i	24' 10" i	20' 5" i	22' 1"	20' 1"	17' 6"	24' 10" i	22' 6" i	18' 8" i
800S250-54	50	25' 3"	22' 11"	20' 1"	28' 4" i	25' 7" i	20' 10" i	22' 11"	20' 10"	18' 3"	25' 9"	23' 5" i	20' 5" i
800S162-68	50	24' 11"	22' 8"	19' 9"	28' 0"	25' 5" i	22' 2" i	22' 8"	20' 7"	18' 0"	25' 5"	23' 1"	20' 2" i
800S200-68	50	26' 1"	23' 9"	20' 9"	29' 4"	26' 8"	23' 3" i	23' 9"	21' 7"	18' 10"	26' 8"	24' 2"	21' 2"
800S250-68	50	27' 3"	24' 9"	21' 7"	30' 7"	27' 9" i	24' 3" i	24' 9"	22' 6"	19' 8"	27' 9"	25' 3"	22' 1" i
800S162-97	50	27' 8"	25' 2"	22' 0"	31' 1"	28' 3"	24' 8"	25' 2"	22' 10"	20' 0"	28' 3"	25' 8"	22' 5"
800S200-97	50	29' 0"	26' 5"	23' 1"	32' 7"	29' 7"	25' 11"	26' 5"	24' 0"	20' 11"	29' 7"	26' 11"	23' 6"
800S250-97	50	30' 4"	27' 7"	24' 1"	34' 1"	30' 11"	27' 1"	27' 7"	25' 1"	21' 11"	30' 11"	28' 2"	24' 7"
800S162-118	50	29' 4"	26' 7"	23' 3"	32' 11"	29' 11"	26' 1"	26' 7"	24' 2"	21' 2"	29' 11"	27' 2"	23' 9"
800S200-118	50	30' 9"	27' 11"	24' 5"	34' 6"	31' 5"	27' 5"	27' 11"	25' 5"	22' 2"	31' 5"	28' 6"	24' 11"
800S250-118	50	32' 2"	29' 3"	25' 6"	36' 1"	32' 10"	28' 8"	29' 3"	26' 7"	23' 2"	32' 10"	29' 10"	26' 1"
1000S162-43	33	22' 4" e	19' 4" e	15' 10" e	22' 4" a	19' 4" a	15' 9" a	22' 4" e	19' 4" e	15' 10" e	22' 4" a	19' 4" a	15' 9" a
1000S200-43	33	24' 1" e	20' 11" e	17' 1" e	24' 1" a	20' 11" a	16' 6" a	24' 1" e	20' 11" e	17' 1" e	24' 1" a	20' 11" a	16' 6" a
1000S250-43	33	24' 10" e	21' 6" e	17' 6" e	24' 10" a	21' 6" a	16' 9" a	24' 10" e	21' 6" e	17' 6" e	24' 10" a	21' 6" a	16' 9" a
1000S162-54	50	27' 5"	24' 10"	21' 2"	30' 0" i	25' 11" i	21' 2" i	24' 10"	22' 7"	19' 9"	27' 11" i	25' 4" i	21' 2" i
1000S200-54	50	28' 8"	26' 0"	22' 9"	32' 2" i	27' 11" i	22' 9" i	26' 0"	23' 8"	20' 8"	29' 3" i	26' 7" i	22' 9" i
1000S250-54	50	30' 3"	27' 6"	23' 5"	33' 1" i	28' 8" i	23' 5" i	27' 6"	25' 0"	21' 10"	30' 10" i	28' 0" i	23' 5" i
1000S162-68	50	29' 8"	27' 0"	23' 7"	33' 4" i	30' 3" i	25' 0" i	27' 0"	24' 6"	21' 5"	30' 3"	27' 6" i	24' 0" i
1000S200-68	50	31' 0"	28' 2"	24' 7"	34' 10" i	31' 8" i	26' 9" i	28' 2"	25' 7"	22' 4"	31' 8"	28' 9"	25' 1" i
1000S250-68	50	32' 6"	29' 7"	25' 10"	36' 6" i	33' 2" i	27' 6" i	29' 7"	26' 10"	23' 5"	33' 2"	30' 2" i	26' 4" i
1000S162-97	50	33' 4"	30' 4"	26' 6"	37' 5"	34' 0"	29' 9"	30' 4"	27' 6"	24' 1"	34' 0"	30' 11"	27' 0"
1000S200-97	50	34' 10"	31' 8"	27' 8"	39' 1"	35' 6"	31' 0"	31' 8"	28' 9"	25' 1"	35' 6"	32' 3"	28' 2"
1000S250-97	50	36' 3"	32' 11"	28' 9"	40' 9"	37' 0"	32' 4"	32' 11"	29' 11"	26' 2"	37' 0"	33' 7"	29' 4"
1000S162-118	50	35' 4"	32' 1"	28' 0"	39' 8"	36' 0"	31' 6"	32' 1"	29' 2"	25' 6"	36' 0"	32' 9"	28' 7"
1000S200-118	50	36' 11"	33' 7"	29' 4"	41' 6"	37' 8"	32' 11"	33' 7"	30' 6"	26' 8"	37' 8"	34' 3"	29' 11"
1000S250-118	50	38' 6"	35' 0"	30' 7"	43' 2"	39' 3"	34' 4"	35' 0"	31' 9"	27' 9"	39' 3"	35' 8"	31' 2"
1200S162-54	50	31' 6" e	27' 11" e	22' 10" e	32' 3" a	27' 11" a	22' 10" a	28' 7" e	26' 0" e	22' 9" e	32' 2" a	27' 11" a	22' 10" a
1200S200-54	50	32' 11" e	29' 11" e	24' 8" e	34' 11" a	30' 3" a	24' 8" a	29' 11" e	27' 2" e	23' 9" e	33' 7" a	30' 3" a	24' 8" a
1200S250-54	50	34' 3" e	31' 2" e	25' 6" e	36' 0" a	31' 2" a	25' 6" a	31' 2" e	28' 4" e	24' 9" e	35' 0" a	31' 2" a	25' 6" a

See Allowable Floor Joist Span Table Notes on page 58.

Floor Joist Span Tables



10 psf Dead Load and 20 psf Live Load

Member	F _y (ksi)	Live Load Deflection L/360						Live Load Deflection L/480					
		Single Span			Two Equal Spans			Single Span			Two Equal Spans		
		Spacing (in) o.c.			Spacing (in) o.c.			Spacing (in) o.c.			Spacing (in) o.c.		
		12	16	24	12	16	24	12	16	24	12	16	24
1200S162-68	50	34' 3"	31' 1"	27' 1"	38' 4"	33' 3" i	27' 1" i	31' 1"	28' 3"	24' 8"	34' 11" i	31' 9" i	27' 1" i
1200S200-68	50	35' 9"	32' 5"	28' 4"	40' 1" i	35' 9" i	29' 2" i	32' 5"	29' 6"	25' 9"	36' 5"	33' 1" i	28' 11" i
1200S250-68	50	37' 3"	33' 10"	29' 6"	41' 9" i	36' 11" i	30' 1" i	33' 10"	30' 9"	26' 10"	37' 11" i	34' 6" i	30' 1" i
1200S162-97	50	38' 10"	35' 3"	30' 10"	43' 7"	39' 7"	34' 7" i	35' 3"	32' 0"	28' 0"	39' 7"	36' 0"	31' 5"
1200S200-97	50	40' 5"	36' 8"	32' 1"	45' 4"	41' 3"	36' 0" i	36' 8"	33' 4"	29' 2"	41' 3"	37' 5"	32' 9"
1200S250-97	50	42' 0"	38' 2"	33' 4"	47' 1"	42' 10"	37' 5" i	38' 2"	34' 8"	30' 3"	42' 10"	38' 11"	34' 0"
1200S162-118	50	41' 3"	37' 6"	32' 9"	46' 4"	42' 1"	36' 9"	37' 6"	34' 1"	29' 9"	42' 1"	38' 3"	33' 5"
1200S200-118	50	43' 0"	39' 1"	34' 1"	48' 3"	43' 10"	38' 4"	39' 1"	35' 6"	31' 0"	43' 10"	39' 10"	34' 10"
1200S250-118	50	44' 8"	40' 7"	35' 5"	50' 2"	45' 7"	39' 9"	40' 7"	36' 10"	32' 2"	45' 7"	41' 5"	36' 2"
1200S300-118	50	46' 1"	41' 10"	36' 7"	51' 9"	47' 0"	41' 1"	41' 10"	38' 0"	33' 3"	47' 0"	42' 8"	37' 4"
1200S350-118	50	48' 5"	44' 0"	38' 5"	54' 5"	49' 5"	43' 2"	44' 0"	40' 0"	34' 11"	49' 5"	44' 11"	39' 3"
1400S200-54	50	37' 0" e	32' 1" e	26' 2" e	37' 0" a	32' 1" a	24' 5" a	33' 8" e	30' 7" e	26' 2" e	37' 0" a	32' 1" a	24' 5" a
1400S250-54	50	38' 6" e	33' 4" e	27' 2" e	38' 6" a	33' 2" a	24' 11" a	35' 0" e	31' 10" e	27' 2" e	38' 6" a	33' 2" a	24' 11" a
1400S300-54	50	39' 1" e	34' 1" e	27' 10" e	39' 5" a	33' 8" a	25' 3" a	35' 6" e	32' 3" e	27' 10" e	39' 5" a	33' 8" a	25' 3" a
1400S350-54	50	41' 9" e	37' 11" e	31' 4" e	44' 2" a	36' 1" a	26' 10" a	37' 11" e	34' 6" e	30' 1" e	42' 7" a	36' 1" a	26' 10" a
1400S200-68	50	40' 3"	36' 7"	31' 1"	44' 0" i	38' 1" i	31' 1" i	36' 7"	33' 3"	29' 0"	41' 0" i	37' 3" i	31' 1" i
1400S250-68	50	41' 10"	38' 0"	32' 3"	45' 8" i	39' 7" i	32' 3" i	38' 0"	34' 7"	30' 2"	42' 8" i	38' 10" i	32' 3" i
1400S300-68	50	43' 0"	39' 0"	33' 1"	46' 9" i	40' 6" i	33' 1" i	39' 0"	35' 6"	31' 0"	43' 10" i	39' 10" i	33' 1" i
1400S350-68	50	46' 1"	41' 10"	36' 7"	51' 9" i	45' 2" i	36' 11" i	41' 10"	38' 0"	33' 3"	47' 0" i	42' 8" i	36' 11" i
1400S200-97	50	45' 8"	41' 6"	36' 3"	51' 3"	46' 7" i	40' 5" i	41' 6"	37' 8"	32' 11"	46' 7"	42' 4"	37' 0" i
1400S250-97	50	47' 4"	43' 0"	37' 7"	53' 2"	48' 4" i	41' 11" i	43' 0"	39' 1"	34' 2"	48' 4"	43' 11"	38' 4" i
1400S300-97	50	48' 10"	44' 4"	38' 9"	54' 10"	49' 10" i	42' 11" i	44' 4"	40' 4"	35' 2"	49' 10"	45' 3"	39' 6" i
1400S350-97	50	51' 6"	46' 9"	40' 11"	57' 10"	52' 6" i	45' 11" i	46' 9"	42' 6"	37' 2"	52' 6"	47' 9"	41' 8" i
1400S200-118	50	48' 11"	44' 5"	38' 10"	54' 11"	49' 11"	43' 7" i	44' 5"	40' 4"	35' 3"	49' 11"	45' 4"	39' 7"
1400S250-118	50	50' 8"	46' 0"	40' 3"	56' 11"	51' 8"	45' 2" i	46' 0"	41' 10"	36' 6"	51' 8"	46' 11"	41' 0"
1400S300-118	50	52' 4"	47' 7"	41' 6"	58' 9"	53' 5"	46' 8" i	47' 7"	43' 2"	37' 9"	53' 5"	48' 6"	42' 4"
1400S350-118	50	54' 9"	49' 9"	43' 6"	61' 6"	55' 10"	48' 10"	49' 9"	45' 3"	39' 6"	55' 10"	50' 9"	44' 4"
1600S200-68	50	44' 7" e	40' 1" e	32' 9" e	46' 3" a	40' 1" a	32' 9" a	40' 6" e	36' 10" e	32' 2" e	45' 6" a	40' 1" a	32' 9" a
1600S250-68	50	46' 4" e	41' 9" e	34' 1" e	48' 3" a	41' 9" a	34' 1" a	42' 1" e	38' 3" e	33' 5" e	47' 3" a	41' 9" a	34' 1" a
1600S300-68	50	47' 6" e	42' 11" e	35' 1" e	49' 7" a	42' 11" a	35' 1" a	43' 2" e	39' 3" e	34' 3" e	48' 6" a	42' 11" a	35' 1" a
1600S350-68	50	50' 1" e	45' 6" e	39' 4" e	55' 7" a	48' 2" a	39' 0" a	45' 6" e	41' 4" e	36' 1" e	51' 1" a	46' 5" a	39' 0" a
1600S200-97	50	50' 9"	46' 2"	40' 4"	57' 0" i	51' 10" i	42' 10" i	46' 2"	41' 11"	36' 7"	51' 10"	47' 1"	41' 1" i
1600S250-97	50	52' 7"	47' 9"	41' 9"	59' 1" i	53' 8" i	44' 7" i	47' 9"	43' 5"	37' 11"	53' 8"	48' 9"	42' 7" i
1600S300-97	50	54' 2"	49' 2"	43' 0"	60' 10" i	55' 3" i	45' 9" i	49' 2"	44' 8"	39' 1"	55' 3"	50' 2"	43' 10" i
1600S350-97	50	56' 9"	51' 7"	45' 1"	63' 9"	57' 11" i	50' 7" i	51' 7"	46' 10"	40' 11"	57' 11"	52' 7"	45' 11" i
1600S200-118	50	54' 6"	49' 6"	43' 3"	61' 2"	55' 7"	48' 7" i	49' 6"	45' 0"	39' 4"	55' 7"	50' 6"	44' 2"
1600S250-118	50	56' 4"	51' 2"	44' 9"	63' 3"	57' 6"	50' 3" i	51' 2"	46' 6"	40' 8"	57' 6"	52' 3"	45' 8"
1600S300-118	50	58' 2"	52' 10"	46' 2"	65' 3"	59' 4"	51' 10" i	52' 10"	48' 0"	41' 11"	59' 4"	53' 11"	47' 1"
1600S350-118	50	60' 9"	55' 2"	48' 2"	68' 2"	61' 11"	54' 2" i	55' 2"	50' 2"	43' 10"	61' 11"	56' 4"	49' 2"

See Allowable Floor Joist Span Table Notes on page 58.

Floor Joist Span Tables



10 psf Dead Load and 30 psf Live Load

Member	Fy (ksi)	Live Load Deflection L/360						Live Load Deflection L/480					
		Single Span			Two Equal Spans			Single Span			Two Equal Spans		
		Spacing (in) o.c.			Spacing (in) o.c.			Spacing (in) o.c.			Spacing (in) o.c.		
		12	16	24	12	16	24	12	16	24	12	16	24
600S162-33	33	12' 7" e	10' 11" e	8' 11" e	12' 7" i	10' 11" a	8' 11" a	12' 6" e	10' 11" e	8' 11" e	12' 7" i	10' 11" a	8' 11" a
600S200-33	33	13' 5" e	11' 7" e	9' 6" e	13' 5" i	11' 7" a	9' 3" a	13' 1" e	11' 7" e	9' 6" e	13' 5" i	11' 7" a	9' 3" a
600S162-43	33	15' 0"	13' 5"	11' 0" e	15' 6" i	13' 5" i	11' 0" i	13' 8"	12' 5"	10' 10" e	15' 4" i	13' 5" i	11' 0" i
600S200-43	33	15' 9"	13' 10"	11' 4" e	16' 0" i	13' 10" i	11' 4" i	14' 4"	13' 0"	11' 4" e	16' 0" i	13' 10" i	11' 4" i
600S250-43	33	16' 5"	14' 3"	11' 7" e	16' 5" i	14' 3" i	11' 7" i	15' 0"	13' 7"	11' 7" e	16' 5" i	14' 3" i	11' 7" i
600S162-54	50	16' 1"	14' 7"	12' 9"	18' 1" i	16' 5" i	14' 4" i	14' 7"	13' 3"	11' 7"	16' 5" i	14' 11" i	13' 0" i
600S200-54	50	16' 11"	15' 4"	13' 5"	19' 0" i	17' 3" i	15' 1" i	15' 4"	14' 0"	12' 2"	17' 3" i	15' 8" i	13' 8" i
600S250-54	50	17' 8"	16' 0"	14' 0"	19' 10" i	18' 0" i	15' 6" i	16' 0"	14' 7"	12' 9"	18' 0" i	16' 4" i	14' 3" i
600S162-68	50	17' 3"	15' 8"	13' 8"	19' 4"	17' 7"	15' 4" i	15' 8"	14' 3"	12' 5"	17' 7"	16' 0"	14' 0"
600S200-68	50	18' 2"	16' 6"	14' 5"	20' 4"	18' 6"	16' 2" i	16' 6"	15' 0"	13' 1"	18' 6"	16' 10"	14' 8"
600S250-68	50	19' 0"	17' 3"	15' 1"	21' 4"	19' 5"	16' 11" i	17' 3"	15' 8"	13' 9"	19' 5"	17' 8"	15' 5"
600S162-97	50	19' 1"	17' 4"	15' 2"	21' 6"	19' 6"	17' 0"	17' 4"	15' 9"	13' 9"	19' 6"	17' 9"	15' 6"
600S200-97	50	20' 2"	18' 4"	16' 0"	22' 7"	20' 7"	17' 11"	18' 4"	16' 8"	14' 6"	20' 7"	18' 8"	16' 4"
600S250-97	50	21' 2"	19' 3"	16' 9"	23' 9"	21' 7"	18' 10"	19' 3"	17' 6"	15' 3"	21' 7"	19' 7"	17' 2"
600S162-118	50	20' 2"	18' 4"	16' 0"	22' 8"	20' 7"	18' 0"	18' 4"	16' 8"	14' 7"	20' 7"	18' 9"	16' 4"
600S200-118	50	21' 4"	19' 4"	16' 11"	23' 11"	21' 9"	19' 0"	19' 4"	17' 7"	15' 4"	21' 9"	19' 9"	17' 3"
600S250-118	50	22' 5"	20' 4"	17' 9"	25' 2"	22' 10"	20' 0"	20' 4"	18' 6"	16' 2"	22' 10"	20' 9"	18' 2"
600S162-33	33	12' 7" e	10' 11" e	8' 11" e	12' 7" i	10' 11" a	8' 11" a	12' 6" e	10' 11" e	8' 11" e	12' 7" i	10' 11" a	8' 11" a
600S200-33	33	13' 5" e	11' 7" e	9' 6" e	13' 5" i	11' 7" a	9' 3" a	13' 1" e	11' 7" e	9' 6" e	13' 5" i	11' 7" a	9' 3" a
600S162-43	33	15' 0"	13' 5"	11' 0" e	15' 6" i	13' 5" i	11' 0" i	13' 8"	12' 5"	10' 10" e	15' 4" i	13' 5" i	11' 0" i
600S200-43	33	15' 9"	13' 10"	11' 4" e	16' 0" i	13' 10" i	11' 4" i	14' 4"	13' 0"	11' 4" e	16' 0" i	13' 10" i	11' 4" i
600S250-43	33	16' 5"	14' 3"	11' 7" e	16' 5" i	14' 3" i	11' 7" i	15' 0"	13' 7"	11' 7" e	16' 5" i	14' 3" i	11' 7" i
600S162-54	50	16' 1"	14' 7"	12' 9"	18' 1" i	16' 5" i	14' 4" i	14' 7"	13' 3"	11' 7"	16' 5" i	14' 11" i	13' 0" i
600S200-54	50	16' 11"	15' 4"	13' 5"	19' 0" i	17' 3" i	15' 1" i	15' 4"	14' 0"	12' 2"	17' 3" i	15' 8" i	13' 8" i
600S250-54	50	17' 8"	16' 0"	14' 0"	19' 10" i	18' 0" i	15' 6" i	16' 0"	14' 7"	12' 9"	18' 0" i	16' 4" i	14' 3" i
600S162-68	50	17' 3"	15' 8"	13' 8"	19' 4"	17' 7"	15' 4" i	15' 8"	14' 3"	12' 5"	17' 7"	16' 0"	14' 0"
600S200-68	50	18' 2"	16' 6"	14' 5"	20' 4"	18' 6"	16' 2" i	16' 6"	15' 0"	13' 1"	18' 6"	16' 10"	14' 8"
600S250-68	50	19' 0"	17' 3"	15' 1"	21' 4"	19' 5"	16' 11" i	17' 3"	15' 8"	13' 9"	19' 5"	17' 8"	15' 5"
600S162-97	50	19' 1"	17' 4"	15' 2"	21' 6"	19' 6"	17' 0"	17' 4"	15' 9"	13' 9"	19' 6"	17' 9"	15' 6"
600S200-97	50	20' 2"	18' 4"	16' 0"	22' 7"	20' 7"	17' 11"	18' 4"	16' 8"	14' 6"	20' 7"	18' 8"	16' 4"
600S250-97	50	21' 2"	19' 3"	16' 9"	23' 9"	21' 7"	18' 10"	19' 3"	17' 6"	15' 3"	21' 7"	19' 7"	17' 2"
600S162-118	50	20' 2"	18' 4"	16' 0"	22' 8"	20' 7"	18' 0"	18' 4"	16' 8"	14' 7"	20' 7"	18' 9"	16' 4"
600S200-118	50	21' 4"	19' 4"	16' 11"	23' 11"	21' 9"	19' 0"	19' 4"	17' 7"	15' 4"	21' 9"	19' 9"	17' 3"
600S250-118	50	22' 5"	20' 4"	17' 9"	25' 2"	22' 10"	20' 0"	20' 4"	18' 6"	16' 2"	22' 10"	20' 9"	18' 2"

See Allowable Floor Joist Span Table Notes on page 58.

Floor Joist Span Tables



10 psf Dead Load and 30 psf Live Load

Member	F _y (ksi)	Live Load Deflection L/360						Live Load Deflection L/480					
		Single Span			Two Equal Spans			Single Span			Two Equal Spans		
		Spacing (in) o.c.			Spacing (in) o.c.			Spacing (in) o.c.			Spacing (in) o.c.		
		12	16	24	12	16	24	12	16	24	12	16	24
800S162-33	33	14' 6" e	12' 7" e	10' 3" e	14' 0" a	11' 5" a	8' 5" a	14' 6" e	12' 7" e	10' 3" e	14' 0" a	11' 5" a	8' 5" a
800S200-33	33	15' 7" e	13' 6" e	11' 0" e	14' 7" a	11' 10" a	8' 9" a	15' 7" e	13' 6" e	11' 0" e	14' 7" a	11' 10" a	8' 9" a
800S162-43	33	17' 6"	15' 2" e	12' 4" e	17' 6" i	15' 2" i	12' 4" a	17' 0"	15' 2" e	12' 4" e	17' 6" i	15' 2" i	12' 4" a
800S200-43	33	18' 8"	16' 2" e	13' 3" e	18' 8" i	16' 2" i	13' 3" a	18' 0"	16' 2" e	13' 3" e	18' 8" i	16' 2" i	13' 3" a
800S250-43	33	19' 2" e	16' 7" e	13' 7" e	19' 2" i	16' 7" i	13' 7" a	18' 9"	16' 7" e	13' 7" e	19' 2" i	16' 7" i	13' 7" a
800S162-54	50	20' 2"	18' 3"	16' 0"	22' 7" i	20' 3" i	16' 6" i	18' 3"	16' 7" e	14' 6"	20' 6" i	18' 8" i	16' 4" i
800S200-54	50	21' 3"	19' 4"	16' 10"	23' 10" i	21' 7" i	17' 8" i	19' 4"	17' 6"	15' 4"	21' 8" i	19' 8" i	17' 2" i
800S250-54	50	22' 1"	20' 1"	17' 6"	24' 9" i	22' 1" i	18' 1" i	20' 1"	18' 3"	15' 11"	22' 6" i	20' 5" i	17' 10" i
800S162-68	50	21' 9"	19' 9"	17' 3"	24' 5"	22' 2" i	19' 5" i	19' 9"	18' 0"	15' 8"	22' 2"	20' 2"	17' 7" i
800S200-68	50	22' 10"	20' 9"	18' 1"	25' 7"	23' 3" i	20' 4" i	20' 9"	18' 10"	16' 5"	23' 3"	21' 2"	18' 6" i
800S250-68	50	23' 9"	21' 7"	18' 11"	26' 9"	24' 3" i	21' 2" i	21' 7"	19' 8"	17' 2"	24' 3"	22' 1"	19' 3" i
800S162-97	50	24' 2"	22' 0"	19' 2"	27' 2"	24' 8"	21' 7"	22' 0"	20' 0"	17' 5"	24' 8"	22' 5"	19' 7"
800S200-97	50	25' 4"	23' 1"	20' 2"	28' 6"	25' 11"	22' 7"	23' 1"	20' 11"	18' 4"	25' 11"	23' 6"	20' 6"
800S250-97	50	26' 6"	24' 1"	21' 1"	29' 9"	27' 1" i	23' 7"	24' 1"	21' 11"	19' 1"	27' 1"	24' 7"	21' 6"
800S162-118	50	25' 7"	23' 3"	20' 4"	28' 9"	26' 1" i	22' 10"	23' 3"	21' 2"	18' 5"	26' 1"	23' 9"	20' 9"
800S200-118	50	26' 10"	24' 5"	21' 4"	30' 2"	27' 5" i	23' 11"	24' 5"	22' 2"	19' 5"	27' 5"	24' 11"	21' 9"
800S250-118	50	28' 1"	25' 6"	22' 4"	31' 7"	28' 8" i	25' 1"	25' 6"	23' 2"	20' 3"	28' 8"	26' 1"	22' 9"
1000S162-43	33	19' 4" e	16' 9" e	13' 8" e	19' 4" a	16' 9" a	12' 10" a	19' 4" e	16' 9" e	13' 8" e	19' 4" a	16' 9" a	12' 10" a
1000S200-43	33	20' 11" e	18' 1" e	14' 9" e	20' 11" a	17' 10" a	13' 5" a	20' 11" e	18' 1" e	14' 9" e	20' 11" a	17' 10" a	13' 5" a
1000S250-43	33	21' 6" e	18' 7" e	15' 2" e	21' 6" a	18' 2" a	13' 7" a	21' 6" e	18' 7" e	15' 2" e	21' 6" a	18' 2" a	13' 7" a
1000S162-54	50	23' 11"	21' 9"	18' 4"	25' 11" i	22' 6" i	18' 4" i	21' 9"	19' 9"	17' 3"	24' 5" i	22' 2" i	18' 4" i
1000S200-54	50	25' 0"	22' 9"	19' 9"	27' 11" i	24' 2" i	19' 9" i	22' 9"	20' 8"	18' 1"	25' 6" i	23' 2" i	19' 9" i
1000S250-54	50	26' 5"	24' 0"	20' 3"	28' 8" i	24' 10" i	20' 3" i	24' 0"	21' 10"	19' 1"	26' 11" i	24' 6" i	20' 3" i
1000S162-68	50	25' 11"	23' 7"	20' 7"	29' 1" i	26' 6" i	21' 8" i	23' 7"	21' 5"	18' 8"	26' 6"	24' 0" i	21' 0" i
1000S200-68	50	27' 1"	24' 7"	21' 6"	30' 5" i	27' 8" i	23' 2" i	24' 7"	22' 4"	19' 7"	27' 8"	25' 1" i	21' 11" i
1000S250-68	50	28' 5"	25' 10"	22' 7"	31' 11" i	29' 0" i	23' 10" i	25' 10"	23' 5"	20' 6"	29' 0"	26' 4" i	23' 0" i
1000S162-97	50	29' 2"	26' 6"	23' 1"	32' 8"	29' 9"	26' 0" i	26' 6"	24' 1"	21' 0"	29' 9"	27' 0"	23' 7"
1000S200-97	50	30' 5"	27' 8"	24' 2"	34' 2"	31' 0"	27' 1" i	27' 8"	25' 1"	21' 11"	31' 0"	28' 2"	24' 8"
1000S250-97	50	31' 8"	28' 9"	25' 2"	35' 7"	32' 4"	28' 3" i	28' 9"	26' 2"	22' 10"	32' 4"	29' 4"	25' 8"
1000S162-118	50	30' 10"	28' 0"	24' 6"	34' 8"	31' 6"	27' 6"	28' 0"	25' 6"	22' 3"	31' 6"	28' 7"	25' 0"
1000S200-118	50	32' 3"	29' 4"	25' 7"	36' 3"	32' 11"	28' 9"	29' 4"	26' 8"	23' 3"	32' 11"	29' 11"	26' 1"
1000S250-118	50	33' 7"	30' 7"	26' 8"	37' 9"	34' 4"	30' 0"	30' 7"	27' 9"	24' 3"	34' 4"	31' 2"	27' 3"
1200S162-54	50	27' 6" e	24' 2" e	19' 9" e	27' 11" a	24' 2" a	19' 6" a	25' 0" e	22' 9" e	19' 9" e	27' 11" a	24' 2" a	19' 6" a
1200S200-54	50	28' 9" e	26' 2" e	21' 4" e	30' 3" a	26' 2" a	20' 6" a	26' 2" e	23' 9" e	20' 9" e	29' 4" a	26' 2" a	20' 6" a
1200S250-54	50	29' 11" e	27' 0" e	22' 1" e	31' 2" a	27' 0" a	20' 11" a	27' 3" e	24' 9" e	21' 7" e	30' 7" a	27' 0" a	20' 11" a
1200S162-68	50	29' 11"	27' 2"	23' 6"	33' 3" i	28' 9" i	23' 6" i	27' 2"	24' 8"	21' 7"	30' 6" i	27' 9" i	23' 6" i
1200S200-68	50	31' 2"	28' 4"	24' 9"	35' 0" i	30' 11" i	25' 3" i	28' 4"	25' 9"	22' 6"	31' 10" i	28' 11" i	25' 3" i
1200S250-68	50	32' 6"	29' 6"	25' 10"	36' 6" i	31' 11" i	26' 1" i	29' 6"	26' 10"	23' 5"	33' 2" i	30' 2" i	26' 1" i
1200S162-97	50	33' 11"	30' 10"	26' 11"	38' 1"	34' 7"	30' 2" i	30' 10"	28' 0"	24' 5"	34' 7"	31' 5"	27' 5" i
1200S200-97	50	35' 4"	32' 1"	28' 0"	39' 8"	36' 0"	31' 5" i	32' 1"	29' 2"	25' 5"	36' 0"	32' 9"	28' 7" i
1200S250-97	50	36' 8"	33' 4"	29' 1"	41' 2"	37' 5" i	32' 8" i	33' 4"	30' 3"	26' 5"	37' 5"	34' 0"	29' 8" i
1200S162-118	50	36' 1"	32' 9"	28' 7"	40' 6"	36' 9"	32' 1"	32' 9"	29' 9"	26' 0"	36' 9"	33' 5"	29' 2"
1200S200-118	50	37' 7"	34' 1"	29' 10"	42' 2"	38' 4"	33' 6"	34' 1"	31' 0"	27' 1"	38' 4"	34' 10"	30' 5"
1200S250-118	50	39' 0"	35' 5"	30' 11"	43' 9"	39' 9"	34' 9"	35' 5"	32' 2"	28' 2"	39' 9"	36' 2"	31' 7"
1200S300-118	50	40' 3"	36' 7"	31' 11"	45' 2"	41' 1"	35' 10"	36' 7"	33' 3"	29' 0"	41' 1"	37' 4"	32' 7"
1200S350-118	50	42' 4"	38' 5"	33' 7"	47' 6"	43' 2"	37' 8"	38' 5"	34' 11"	30' 6"	43' 2"	39' 3"	34' 3"

See Allowable Floor Joist Span Table Notes on page 58.

Floor Joist Span Tables



10 psf Dead Load and 30 psf Live Load

Member	Fy (ksi)	Live Load Deflection L/360						Live Load Deflection L/480					
		Single Span			Two Equal Spans			Single Span			Two Equal Spans		
		Spacing (in) o.c.			Spacing (in) o.c.			Spacing (in) o.c.			Spacing (in) o.c.		
		12	16	24	12	16	24	12	16	24	12	16	24
1400S200-54	50	32' 1" e	27' 9" e	22' 8" e	32' 1" a	26' 6" a	19' 10" a	29' 5" e	26' 8" e	22' 8" e	32' 1" a	26' 6" a	19' 10" a
1400S250-54	50	33' 4" e	28' 10" e	23' 7" e	33' 2" a	27' 1" a	20' 2" a	30' 7" e	27' 9" e	23' 7" e	33' 2" a	27' 1" a	20' 2" a
1400S300-54	50	34' 1" e	29' 7" e	24' 2" e	33' 8" a	27' 6" a	20' 5" a	31' 0" e	28' 2" e	24' 2" e	33' 8" a	27' 6" a	20' 5" a
1400S350-54	50	36' 6" e	33' 2" e	27' 1" e	36' 1" a	29' 4" a	21' 7" a	33' 2" e	30' 1" e	26' 4" e	36' 1" a	29' 4" a	21' 7" a
1400S200-68	50	35' 2" e	31' 11" e	26' 11" e	38' 1" i	33' 0" i	26' 11" i	31' 11" e	29' 0" e	25' 4" e	35' 10" i	32' 7" i	26' 11" i
1400S250-68	50	36' 7" e	33' 3" e	28' 0" e	39' 7" i	34' 3" i	28' 0" i	33' 3" e	30' 2" e	26' 4" e	37' 4" i	33' 11" i	28' 0" i
1400S300-68	50	37' 6" e	34' 1" e	28' 7" e	40' 6" i	35' 1" i	28' 7" i	34' 1" e	31' 0" e	27' 1" e	38' 3" i	34' 9" i	28' 7" i
1400S350-68	50	40' 3" e	36' 7" e	31' 11" e	45' 2" i	39' 2" i	31' 11" i	36' 7" e	33' 3" e	29' 0" e	41' 1" i	37' 3" i	31' 11" i
1400S200-97	50	39' 11" e	36' 3" e	31' 8" e	44' 10" i	40' 8" i	35' 0" i	36' 3" e	32' 11" e	28' 9" e	40' 8" e	37' 0" e	32' 4" i
1400S250-97	50	41' 5" e	37' 7" e	32' 10" e	46' 6" e	42' 3" i	36' 3" i	37' 7" e	34' 2" e	29' 10" e	42' 3" e	38' 4" e	33' 6" i
1400S300-97	50	42' 8" e	38' 9" e	33' 10" e	47' 11" e	43' 6" i	37' 2" i	38' 9" e	35' 2" e	30' 9" e	43' 6" e	39' 6" e	34' 6" i
1400S350-97	50	45' 0" e	40' 11" e	35' 8" e	50' 6" e	45' 11" i	40' 1" i	40' 11" e	37' 2" e	32' 5" e	45' 11" e	41' 8" e	36' 5" i
1400S200-118	50	42' 9" e	38' 10" e	33' 11" e	48' 0" e	43' 7" e	38' 1" i	38' 10" e	35' 3" e	30' 10" e	43' 7" e	39' 7" e	34' 7" i
1400S250-118	50	44' 3" e	40' 3" e	35' 2" e	49' 8" e	45' 2" e	39' 5" i	40' 3" e	36' 6" e	31' 11" e	45' 2" e	41' 0" e	35' 10" i
1400S300-118	50	45' 9" e	41' 6" e	36' 3" e	51' 4" e	46' 8" e	40' 9" i	41' 6" e	37' 9" e	33' 0" e	46' 8" e	42' 4" e	37' 0" i
1400S350-118	50	47' 10" e	43' 6" e	38' 0" e	53' 9" e	48' 10" e	42' 8" i	43' 6" e	39' 6" e	34' 6" e	48' 10" e	44' 4" e	38' 9" i
1600S200-68	50	38' 11" e	34' 8" e	28' 4" e	40' 1" a	34' 8" a	28' 4" a	35' 5" e	32' 2" e	28' 1" e	39' 9" a	34' 8" a	28' 4" a
1600S250-68	50	40' 6" e	36' 2" e	29' 6" e	41' 9" a	36' 2" a	29' 3" a	36' 9" e	33' 5" e	29' 2" e	41' 4" a	36' 2" a	29' 3" a
1600S300-68	50	41' 6" e	37' 2" e	30' 4" e	42' 11" a	37' 2" a	29' 9" a	37' 9" e	34' 3" e	29' 11" e	42' 4" a	37' 2" a	29' 9" a
1600S350-68	50	43' 9" e	39' 9" e	34' 0" e	48' 2" a	41' 8" a	31' 10" a	39' 9" e	36' 1" e	31' 7" e	44' 7" a	40' 6" a	31' 10" a
1600S200-97	50	44' 4" e	40' 4" e	35' 3" e	49' 10" i	45' 3" i	37' 1" i	40' 4" e	36' 7" e	32' 0" e	45' 3" e	41' 1" i	35' 11" i
1600S250-97	50	45' 11" e	41' 9" e	36' 6" e	51' 7" i	46' 10" i	38' 7" i	41' 9" e	37' 11" e	33' 2" e	46' 10" e	42' 7" i	37' 2" i
1600S300-97	50	47' 4" e	43' 0" e	37' 7" e	53' 1" i	48' 3" i	39' 8" i	43' 0" e	39' 1" e	34' 1" e	48' 3" e	43' 10" i	38' 4" i
1600S350-97	50	49' 7" e	45' 1" e	39' 4" e	55' 8" i	50' 7" i	43' 10" i	45' 1" e	40' 11" e	35' 9" e	50' 7" e	45' 11" i	40' 2" i
1600S200-118	50	47' 7" e	43' 3" e	37' 9" e	53' 5" e	48' 7" e	42' 5" i	43' 3" e	39' 4" e	34' 4" e	48' 7" e	44' 2" e	38' 7" i
1600S250-118	50	49' 3" e	44' 9" e	39' 1" e	55' 3" e	50' 3" e	43' 10" i	44' 9" e	40' 8" e	35' 6" e	50' 3" e	45' 8" e	39' 10" i
1600S300-118	50	50' 9" e	46' 2" e	40' 4" e	57' 0" e	51' 10" i	45' 3" i	46' 2" e	41' 11" e	36' 7" e	51' 10" e	47' 1" e	41' 1" i
1600S350-118	50	53' 1" e	48' 2" e	42' 1" e	59' 7" e	54' 2" e	47' 3" i	48' 2" e	43' 10" e	38' 3" e	54' 2" e	49' 2" e	43' 0" i

See Allowable Floor Joist Span Table Notes on page 58.

Floor Joist Span Tables



10 psf Dead Load and 40 psf Live Load

Member	F _y (ksi)	Live Load Deflection L/360						Live Load Deflection L/480					
		Single Span			Two Equal Spans			Single Span			Two Equal Spans		
		Spacing (in) o.c.			Spacing (in) o.c.			Spacing (in) o.c.			Spacing (in) o.c.		
		12	16	24	12	16	24	12	16	24	12	16	24
600S162-33	33	11' 3" e	9' 9" e	7' 11" e	11' 3" i	9' 9" a	7' 7" a	11' 3" e	9' 9" e	7' 11" e	11' 3" i	9' 9" a	7' 7" a
600S200-33	33	12' 0" e	10' 5" e	8' 6" e	12' 0" a	10' 5" a	7' 11" a	11' 11" e	10' 5" e	8' 6" e	12' 0" a	10' 5" a	7' 11" a
600S162-43	33	13' 8" e	12' 0" e	9' 10" e	13' 11" i	12' 0" i	9' 10" a	12' 5" e	11' 3" e	9' 10" e	13' 11" i	12' 0" i	9' 10" a
600S200-43	33	14' 4" e	12' 5" e	10' 2" e	14' 4" i	12' 5" i	10' 2" a	13' 0" e	11' 10" e	10' 2" e	14' 4" i	12' 5" i	10' 2" a
600S250-43	33	14' 8" e	12' 9" e	10' 5" e	14' 8" i	12' 9" i	10' 5" a	13' 7" e	12' 4" e	10' 5" e	14' 8" i	12' 9" i	10' 5" a
600S162-54	50	14' 7" e	13' 3" e	11' 7" e	16' 5" i	14' 11" i	13' 0" i	13' 3" e	12' 1" e	10' 7" e	14' 11" i	13' 7" i	11' 10" i
600S200-54	50	15' 4" e	14' 0" e	12' 2" e	17' 3" i	15' 8" i	13' 6" i	14' 0" e	12' 8" e	11' 1" e	15' 8" i	14' 3" i	12' 5" i
600S250-54	50	16' 0" e	14' 7" e	12' 9" e	18' 0" i	16' 4" i	13' 10" i	14' 7" e	13' 3" e	11' 7" e	16' 4" i	14' 10" i	13' 0" i
600S162-68	50	15' 8" e	14' 3" e	12' 5" e	17' 7" i	16' 0" i	14' 0" i	14' 3" e	12' 11" e	11' 4" e	16' 0" i	14' 6" i	12' 8" i
600S200-68	50	16' 6" e	15' 0" e	13' 1" e	18' 6" i	16' 10" i	14' 8" i	15' 0" e	13' 7" e	11' 11" e	16' 10" i	15' 3" i	13' 4" i
600S250-68	50	17' 3" e	15' 8" e	13' 9" e	19' 5" i	17' 8" i	15' 5" i	15' 8" e	14' 3" e	12' 6" e	17' 8" i	16' 0" i	14' 0" i
600S162-97	50	17' 4" e	15' 9" e	13' 9" e	19' 6" i	17' 9" i	15' 6" i	15' 9" e	14' 4" e	12' 6" e	17' 9" i	16' 1" i	14' 1" i
600S200-97	50	18' 4" e	16' 8" e	14' 6" e	20' 7" i	18' 8" i	16' 4" i	16' 8" e	15' 1" e	13' 2" e	18' 8" i	17' 0" i	14' 10" i
600S250-97	50	19' 3" e	17' 6" e	15' 3" e	21' 7" i	19' 7" i	17' 2" i	17' 6" e	15' 10" e	13' 10" e	19' 7" i	17' 10" i	15' 7" i
600S162-118	50	18' 4" e	16' 8" e	14' 7" e	20' 7" i	18' 9" i	16' 4" i	16' 8" e	15' 2" e	13' 3" e	18' 9" i	17' 0" i	14' 10" i
600S200-118	50	19' 4" e	17' 7" e	15' 4" e	21' 9" i	19' 9" i	17' 3" i	17' 7" e	16' 0" e	14' 0" e	19' 9" i	17' 11" i	15' 8" i
600S250-118	50	20' 4" e	18' 6" e	16' 2" e	22' 10" i	20' 9" i	18' 2" i	18' 6" e	16' 10" e	14' 8" e	20' 9" i	18' 10" i	16' 6" i
800S162-33	33	13' 0" e	11' 3" e	9' 2" e	11' 11" a	9' 8" a	7' 1" a	13' 0" e	11' 3" e	9' 2" e	11' 11" a	9' 8" a	7' 1" a
800S200-33	33	13' 11" e	12' 1" e	9' 6" e	12' 5" a	10' 0" a	7' 3" a	13' 11" e	12' 1" e	9' 6" e	12' 5" a	10' 0" a	7' 3" a
800S162-43	33	15' 8" e	13' 6" e	11' 1" e	15' 8" i	13' 6" a	11' 1" a	15' 5" e	13' 6" e	11' 1" e	15' 8" i	13' 6" a	11' 1" a
800S200-43	33	16' 9" e	14' 6" e	11' 10" e	16' 9" i	14' 6" a	11' 9" a	16' 4" e	14' 6" e	11' 10" e	16' 9" i	14' 6" a	11' 9" a
800S250-43	33	17' 2" e	14' 10" e	12' 2" e	17' 2" i	14' 10" a	12' 0" a	17' 0" e	14' 10" e	12' 2" e	17' 2" i	14' 10" a	12' 0" a
800S162-54	50	18' 3" e	16' 7" e	14' 6" e	20' 6" i	18' 1" i	14' 10" i	16' 7" e	15' 1" e	13' 2" e	18' 8" i	16' 11" i	14' 10" i
800S200-54	50	19' 4" e	17' 6" e	15' 4" e	21' 8" i	19' 4" i	15' 9" i	17' 6" e	15' 11" e	13' 11" e	19' 8" i	17' 11" i	15' 7" i
800S250-54	50	20' 1" e	18' 3" e	15' 11" e	22' 6" i	19' 9" i	16' 2" i	18' 3" e	16' 7" e	14' 6" e	20' 5" i	18' 7" i	16' 2" i
800S162-68	50	19' 9" e	18' 0" e	15' 8" e	22' 2" i	20' 2" i	17' 4" i	18' 0" e	16' 4" e	14' 3" e	20' 2" i	18' 4" i	16' 0" i
800S200-68	50	20' 9" e	18' 10" e	16' 5" e	23' 3" i	21' 2" i	18' 6" i	18' 10" e	17' 1" e	14' 11" e	21' 2" i	19' 2" i	16' 9" i
800S250-68	50	21' 7" e	19' 8" e	17' 2" e	24' 3" i	22' 1" i	18' 11" i	19' 8" e	17' 10" e	15' 7" e	22' 1" i	20' 0" i	17' 6" i
800S162-97	50	22' 0" e	20' 0" e	17' 5" e	24' 8" i	22' 5" i	19' 7" i	20' 0" e	18' 2" e	15' 10" e	22' 5" i	20' 4" i	17' 10" i
800S200-97	50	23' 1" e	20' 11" e	18' 4" e	25' 11" i	23' 6" i	20' 6" i	20' 11" e	19' 0" e	16' 7" e	23' 6" i	21' 4" i	18' 8" i
800S250-97	50	24' 1" e	21' 11" e	19' 1" e	27' 1" i	24' 7" i	21' 6" i	21' 11" e	19' 11" e	17' 4" e	24' 7" i	22' 4" i	19' 6" i
800S162-118	50	23' 3" e	21' 2" e	18' 5" e	26' 1" i	23' 9" i	20' 9" i	21' 2" e	19' 2" e	16' 9" e	23' 9" i	21' 7" i	18' 10" i
800S200-118	50	24' 5" e	22' 2" e	19' 5" e	27' 5" i	24' 11" i	21' 9" i	22' 2" e	20' 2" e	17' 7" e	24' 11" i	22' 8" i	19' 9" i
800S250-118	50	25' 6" e	23' 2" e	20' 3" e	28' 8" i	26' 1" i	22' 9" i	23' 2" e	21' 1" e	18' 5" e	26' 1" i	23' 8" i	20' 8" i
1000S162-43	33	17' 4" e	15' 0" e	12' 3" e	17' 4" a	14' 8" a	10' 11" a	17' 4" e	15' 0" e	12' 3" e	17' 4" a	14' 8" a	10' 11" a
1000S200-43	33	18' 8" e	16' 2" e	13' 2" e	18' 8" a	15' 4" a	11' 4" a	18' 8" e	16' 2" e	13' 2" e	18' 8" a	15' 4" a	11' 4" a
1000S250-43	33	19' 3" e	16' 8" e	13' 7" e	19' 0" a	15' 7" a	11' 6" a	19' 3" e	16' 8" e	13' 7" e	19' 0" a	15' 7" a	11' 6" a
1000S162-54	50	21' 9" e	19' 9" e	16' 5" e	23' 2" i	20' 1" i	16' 5" i	19' 9" e	17' 11" e	15' 8" e	22' 2" i	20' 1" i	16' 5" i
1000S200-54	50	22' 9" e	20' 8" e	17' 8" e	24' 11" i	21' 7" i	17' 8" i	20' 8" e	18' 9" e	16' 5" e	23' 2" i	21' 1" i	17' 8" i
1000S250-54	50	24' 0" e	21' 10" e	18' 1" e	25' 7" i	22' 2" i	18' 1" i	21' 10" e	19' 10" e	17' 4" e	24' 6" i	22' 2" i	18' 1" i
1000S162-68	50	23' 7" e	21' 5" e	18' 8" e	26' 6" i	23' 9" i	19' 5" i	21' 5" e	19' 5" e	17' 0" e	24' 0" i	21' 10" i	19' 1" i
1000S200-68	50	24' 7" e	22' 4" e	19' 7" e	27' 8" i	25' 1" i	20' 9" i	22' 4" e	20' 4" e	17' 9" e	25' 1" i	22' 10" i	19' 11" i
1000S250-68	50	25' 10" e	23' 5" e	20' 6" e	29' 0" i	26' 1" i	21' 4" i	23' 5" e	21' 4" e	18' 7" e	26' 4" i	23' 11" i	20' 11" i
1000S162-97	50	26' 6" e	24' 1" e	21' 0" e	29' 9" i	27' 0" i	23' 7" i	24' 1" e	21' 10" e	19' 1" e	27' 0" i	24' 6" i	21' 5" i
1000S200-97	50	27' 8" e	25' 1" e	21' 11" e	31' 0" i	28' 2" i	24' 8" i	25' 1" e	22' 10" e	19' 11" e	28' 2" i	25' 7" i	22' 5" i
1000S250-97	50	28' 9" e	26' 2" e	22' 10" e	32' 4" i	29' 4" i	25' 8" i	26' 2" e	23' 9" e	20' 9" e	29' 4" i	26' 8" i	23' 4" i
1000S162-118	50	28' 0" e	25' 6" e	22' 3" e	31' 6" i	28' 7" i	25' 0" i	25' 6" e	23' 2" e	20' 3" e	28' 7" i	26' 0" i	22' 8" i
1000S200-118	50	29' 4" e	26' 8" e	23' 3" e	32' 11" i	29' 11" i	26' 1" i	26' 8" e	24' 2" e	21' 2" e	29' 11" i	27' 2" i	23' 9" i
1000S250-118	50	30' 7" e	27' 9" e	24' 3" e	34' 4" i	31' 2" i	27' 3" i	27' 9" e	25' 3" e	22' 0" e	31' 2" i	28' 4" i	24' 9" i

See Allowable Floor Joist Span Table Notes on page 58.

Floor Joist Span Tables



10 psf Dead Load and 40 psf Live Load

Member	Fy (ksi)	Live Load Deflection L/360						Live Load Deflection L/480					
		Single Span			Two Equal Spans			Single Span			Two Equal Spans		
		Spacing (in) o.c.			Spacing (in) o.c.			Spacing (in) o.c.			Spacing (in) o.c.		
		12	16	24	12	16	24	12	16	24	12	16	24
1200S162-54	50	25' 0" e	21' 8" e	17' 8" e	25' 0" a	21' 8" a	16' 9" a	22' 9" e	20' 8" e	17' 8" e	25' 0" a	21' 8" a	16' 9" a
1200S200-54	50	26' 2" e	23' 5" e	19' 1" e	27' 0" a	23' 3" a	17' 6" a	23' 9" e	21' 7" e	18' 10" e	26' 8" a	23' 3" a	17' 6" a
1200S250-54	50	27' 3" e	24' 2" e	19' 9" e	27' 11" a	23' 9" a	17' 10" a	24' 9" e	22' 6" e	19' 7" e	27' 9" a	23' 9" a	17' 10" a
1200S162-68	50	27' 2" e	24' 8" e	21' 0" e	29' 8" i	25' 9" i	21' 0" i	24' 8" e	22' 5" e	19' 7" e	27' 9" i	25' 2" i	21' 0" i
1200S200-68	50	28' 4" e	25' 9" e	22' 6" e	31' 10" i	27' 8" i	22' 7" i	25' 9" e	23' 5" e	20' 5" e	28' 11" i	26' 3" i	22' 7" i
1200S250-68	50	29' 6" e	26' 10" e	23' 4" e	33' 0" i	28' 7" i	23' 4" i	26' 10" e	24' 5" e	21' 4" e	30' 2" i	27' 4" i	23' 4" i
1200S162-97	50	30' 10" e	28' 0" e	24' 5" e	34' 7" i	31' 5" i	27' 3" i	28' 0" e	25' 5" e	22' 3" e	31' 5" e	28' 7" e	24' 11" i
1200S200-97	50	32' 1" e	29' 2" e	25' 5" e	36' 0" i	32' 9" i	28' 7" i	29' 2" e	26' 6" e	23' 1" e	32' 9" e	29' 9" e	26' 0" i
1200S250-97	50	33' 4" e	30' 3" e	26' 5" e	37' 5" i	34' 0" i	29' 8" i	30' 3" e	27' 6" e	24' 0" e	34' 0" e	30' 11" e	27' 0" i
1200S162-118	50	32' 9" e	29' 9" e	26' 0" e	36' 9" i	33' 5" i	29' 2" i	29' 9" e	27' 0" e	23' 7" e	33' 5" e	30' 4" e	26' 6" i
1200S200-118	50	34' 1" e	31' 0" e	27' 1" e	38' 4" i	34' 10" i	30' 5" i	31' 0" e	28' 2" e	24' 7" e	34' 10" e	31' 7" e	27' 7" i
1200S250-118	50	35' 5" e	32' 2" e	28' 2" e	39' 9" i	36' 2" i	31' 7" i	32' 2" e	29' 3" e	25' 7" e	36' 2" e	32' 10" e	28' 8" i
1200S300-118	50	36' 7" e	33' 3" e	29' 0" e	41' 1" i	37' 4" i	32' 7" i	33' 3" e	30' 2" e	26' 4" e	37' 4" e	33' 11" e	29' 7" i
1200S350-118	50	38' 5" e	34' 11" e	30' 6" e	43' 2" i	39' 3" i	34' 3" i	34' 11" e	31' 9" e	27' 9" e	39' 3" e	35' 8" e	31' 1" i
1400S200-54	50	28' 8" e	24' 10" e	20' 3" e	27' 9" a	22' 8" a	16' 9" a	26' 8" e	24' 3" e	20' 3" e	27' 9" a	22' 8" a	16' 9" a
1400S250-54	50	29' 10" e	25' 10" e	21' 1" e	28' 5" a	23' 1" a	17' 0" a	27' 9" e	25' 3" e	21' 1" e	28' 5" a	23' 1" a	17' 0" a
1400S300-54	50	30' 6" e	26' 5" e	21' 7" e	28' 9" a	23' 5" a	17' 3" a	28' 2" e	25' 7" e	21' 7" e	28' 9" a	23' 5" a	17' 3" a
1400S350-54	50	33' 2" e	29' 9" e	23' 6" e	30' 9" a	24' 10" a	18' 1" a	30' 1" e	27' 4" e	23' 6" e	30' 9" a	24' 10" a	18' 1" a
1400S200-68	50	31' 11" e	29' 0" e	24' 1" e	34' 1" i	29' 6" i	24' 1" i	29' 0" e	26' 4" e	23' 0" e	32' 7" i	29' 6" i	24' 1" i
1400S250-68	50	33' 3" e	30' 2" e	25' 0" e	35' 4" i	30' 8" i	25' 0" i	30' 2" e	27' 5" e	24' 0" e	33' 11" i	30' 8" i	25' 0" i
1400S300-68	50	34' 1" e	31' 0" e	25' 7" e	36' 2" i	31' 4" i	25' 7" i	31' 0" e	28' 2" e	24' 7" e	34' 9" i	31' 4" i	25' 7" i
1400S350-68	50	36' 7" e	33' 3" e	28' 7" e	40' 5" i	35' 0" i	27' 9" i	33' 3" e	30' 2" e	26' 4" e	37' 3" i	33' 11" i	27' 9" i
1400S200-97	50	36' 3" e	32' 11" e	28' 9" e	40' 8" i	37' 0" i	31' 4" i	32' 11" e	29' 11" e	26' 2" e	37' 0" i	33' 7" i	29' 4" i
1400S250-97	50	37' 7" e	34' 2" e	29' 10" e	42' 3" i	38' 4" i	32' 6" i	34' 2" e	31' 0" e	27' 1" e	38' 4" e	34' 10" i	30' 5" i
1400S300-97	50	38' 9" e	35' 2" e	30' 9" e	43' 6" i	39' 6" i	33' 3" i	35' 2" e	32' 0" e	27' 11" e	39' 6" e	35' 11" i	31' 4" i
1400S350-97	50	40' 11" e	37' 2" e	32' 5" e	45' 11" i	41' 8" i	36' 5" i	37' 2" e	33' 9" e	29' 6" e	41' 8" e	37' 11" i	33' 1" i
1400S200-118	50	38' 10" e	35' 3" e	30' 10" e	43' 7" i	39' 7" i	34' 7" i	35' 3" e	32' 0" e	28' 0" e	39' 7" e	36' 0" e	31' 5" i
1400S250-118	50	40' 3" e	36' 6" e	31' 11" e	45' 2" i	41' 0" i	35' 10" i	36' 6" e	33' 2" e	29' 0" e	41' 0" e	37' 3" e	32' 7" i
1400S300-118	50	41' 6" e	37' 9" e	33' 0" e	46' 8" i	42' 4" i	37' 0" i	37' 9" e	34' 3" e	29' 11" e	42' 4" e	38' 6" e	33' 8" i
1400S350-118	50	43' 6" e	39' 6" e	34' 6" e	48' 10" i	44' 4" i	38' 9" i	39' 6" e	35' 11" e	31' 4" e	44' 4" e	40' 4" e	35' 2" i
1600S200-68	50	35' 5" e	31' 0" e	25' 4" e	35' 10" a	31' 0" a	24' 5" a	32' 2" e	29' 2" e	25' 4" e	35' 10" a	31' 0" a	24' 5" a
1600S250-68	50	36' 9" e	32' 4" e	26' 5" e	37' 4" a	32' 4" a	25' 1" a	33' 5" e	30' 4" e	26' 5" e	37' 4" a	32' 4" a	25' 1" a
1600S300-68	50	37' 9" e	33' 3" e	27' 2" e	38' 5" a	33' 3" a	25' 5" a	34' 3" e	31' 2" e	27' 2" e	38' 5" a	33' 3" a	25' 5" a
1600S350-68	50	39' 9" e	36' 1" e	30' 5" e	43' 1" a	36' 3" a	27' 1" a	36' 1" e	32' 10" e	28' 8" e	40' 6" a	36' 3" a	27' 1" a
1600S200-97	50	40' 4" e	36' 7" e	32' 0" e	45' 3" i	40' 8" i	33' 2" i	36' 7" e	33' 3" e	29' 1" e	41' 1" e	37' 4" i	32' 8" i
1600S250-97	50	41' 9" e	37' 11" e	33' 2" e	46' 10" i	42' 3" i	34' 6" i	37' 11" e	34' 6" e	30' 1" e	42' 7" e	38' 8" i	33' 10" i
1600S300-97	50	43' 0" e	39' 1" e	34' 1" e	48' 3" i	43' 5" i	35' 5" i	39' 1" e	35' 6" e	31' 0" e	43' 10" e	39' 10" i	34' 10" i
1600S350-97	50	45' 1" e	40' 11" e	35' 9" e	50' 7" i	45' 11" i	39' 2" i	40' 11" e	37' 2" e	32' 6" e	45' 11" e	41' 9" i	36' 6" i
1600S200-118	50	43' 3" e	39' 4" e	34' 4" e	48' 7" i	44' 2" i	38' 6" i	39' 4" e	35' 9" e	31' 2" e	44' 2" e	40' 1" e	35' 0" i
1600S250-118	50	44' 9" e	40' 8" e	35' 6" e	50' 3" i	45' 8" i	39' 10" i	40' 8" e	36' 11" e	32' 3" e	45' 8" e	41' 6" e	36' 3" i
1600S300-118	50	46' 2" e	41' 11" e	36' 7" e	51' 10" i	47' 1" i	41' 1" i	41' 11" e	38' 1" e	33' 3" e	47' 1" e	42' 9" e	37' 4" i
1600S350-118	50	48' 2" e	43' 10" e	38' 3" e	54' 2" i	49' 2" i	43' 0" i	43' 10" e	39' 10" e	34' 9" e	49' 2" e	44' 8" e	39' 0" i

See Allowable Floor Joist Span Table Notes on page 58.

Floor Joist Span Tables



10 psf Dead Load and 50 psf Live Load

Member	F _y (ksi)	Live Load Deflection L/360						Live Load Deflection L/480					
		Single Span			Two Equal Spans			Single Span			Two Equal Spans		
		Spacing (in) o.c.			Spacing (in) o.c.			Spacing (in) o.c.			Spacing (in) o.c.		
		12	16	24	12	16	24	12	16	24	12	16	24
600S162-33	33	10' 3" e	8' 11" e	7' 3" e	10' 3" a	8' 11" a	6' 8" a	10' 3" e	8' 11" e	7' 3" e	10' 3" a	8' 11" a	6' 8" a
600S200-33	33	10' 11" e	9' 6" e	7' 9" e	10' 11" a	9' 3" a	6' 11" a	10' 11" e	9' 6" e	7' 9" e	10' 11" a	9' 3" a	6' 11" a
600S162-43	33	12' 8"	11' 0" e	9' 0" e	12' 8" i	11' 0" i	9' 0" a	11' 6"	10' 5" e	9' 0" e	12' 8" i	11' 0" i	9' 0" a
600S200-43	33	13' 1"	11' 4" e	9' 3" e	13' 1" i	11' 4" i	9' 3" a	12' 1"	11' 0" e	9' 3" e	13' 1" i	11' 4" i	9' 3" a
600S250-43	33	13' 5" e	11' 7" e	9' 6" e	13' 5" i	11' 7" i	9' 6" a	12' 8"	11' 6" e	9' 6" e	13' 5" i	11' 7" i	9' 6" a
600S162-54	50	13' 7"	12' 4"	10' 9"	15' 3" i	13' 10" i	12' 0" i	12' 4"	11' 2"	9' 9"	13' 10" i	12' 7" i	11' 0" i
600S200-54	50	14' 3"	13' 0"	11' 4"	16' 0" i	14' 7" i	12' 4" i	13' 0"	11' 9"	10' 3"	14' 7"	13' 3" i	11' 7" i
600S250-54	50	14' 11"	13' 6"	11' 10"	16' 8" i	15' 2" i	12' 8" i	13' 6"	12' 3"	10' 9"	15' 2" i	13' 9" i	12' 1" i
600S162-68	50	14' 7"	13' 3"	11' 7"	16' 4"	14' 10"	13' 0" i	13' 3"	12' 0"	10' 6"	14' 10"	13' 6"	11' 9" i
600S200-68	50	15' 4"	13' 11"	12' 2"	17' 2"	15' 7"	13' 8" i	13' 11"	12' 8"	11' 0"	15' 7"	14' 2"	12' 5" i
600S250-68	50	16' 1"	14' 7"	12' 9"	18' 0"	16' 4" i	14' 4" i	14' 7"	13' 3"	11' 7"	16' 4"	14' 10"	13' 0" i
600S162-97	50	16' 2"	14' 8"	12' 10"	18' 1"	16' 5"	14' 4"	14' 8"	13' 4"	11' 8"	16' 5"	14' 11"	13' 1"
600S200-97	50	17' 0"	15' 5"	13' 6"	19' 1"	17' 4"	15' 2"	15' 5"	14' 0"	12' 3"	17' 4"	15' 9"	13' 9"
600S250-97	50	17' 10"	16' 3"	14' 2"	20' 0"	18' 2"	15' 11"	16' 3"	14' 9"	12' 10"	18' 2"	16' 6"	14' 5"
600S162-118	50	17' 0"	15' 6"	13' 6"	19' 1"	17' 5"	15' 2"	15' 6"	14' 1"	12' 3"	17' 5"	15' 9"	13' 9"
600S200-118	50	18' 0"	16' 4"	14' 3"	20' 2"	18' 4"	16' 0"	16' 4"	14' 10"	13' 0"	18' 4"	16' 8"	14' 7"
600S250-118	50	18' 11"	17' 2"	15' 0"	21' 3"	19' 3"	16' 10"	17' 2"	15' 7"	13' 7"	19' 3"	17' 6"	15' 4"
800S162-33	33	11' 10" e	10' 3" e	7' 11" e	10' 6" a	8' 5" a	6' 2" a	11' 10" e	10' 3" e	7' 11" e	10' 6" a	8' 5" a	6' 2" a
800S200-33	33	12' 8" e	11' 0" e	7' 11" e	10' 10" a	8' 9" a	6' 4" a	12' 8" e	11' 0" e	7' 11" e	10' 10" a	8' 9" a	6' 4" a
800S162-43	33	14' 3" e	12' 4" e	10' 1" e	14' 3" i	12' 4" a	10' 0" a	14' 3" e	12' 4" e	10' 1" e	14' 3" i	12' 4" a	10' 0" a
800S200-43	33	15' 3" e	13' 3" e	10' 10" e	15' 3" a	13' 3" a	10' 5" a	15' 2" e	13' 3" e	10' 10" e	15' 3" a	13' 3" a	10' 5" a
800S250-43	33	15' 8" e	13' 7" e	11' 1" e	15' 8" a	13' 7" a	10' 6" a	15' 8" e	13' 7" e	11' 1" e	15' 8" a	13' 7" a	10' 6" a
800S162-54	50	17' 0"	15' 5"	13' 6"	19' 1" i	16' 6" i	13' 6" i	15' 5"	14' 0"	12' 3"	17' 4" i	15' 9" i	13' 6" i
800S200-54	50	17' 11"	16' 3"	14' 3"	20' 1" i	17' 8" i	14' 5" i	16' 3"	14' 9"	12' 11"	18' 3" i	16' 7" i	14' 5" i
800S250-54	50	18' 7"	16' 11"	14' 9" e	20' 10" i	18' 1" i	14' 9" i	16' 11"	15' 4"	13' 5"	19' 0" i	17' 3" i	14' 9" i
800S162-68	50	18' 4"	16' 8"	14' 7"	20' 7" i	18' 9" i	15' 10" i	16' 8"	15' 2"	13' 3"	18' 9"	17' 0" i	14' 10" i
800S200-68	50	19' 3"	17' 6"	15' 3"	21' 7" i	19' 7" i	17' 2" i	17' 6"	15' 11"	13' 10"	19' 7"	17' 10" i	15' 7" i
800S250-68	50	20' 1"	18' 3"	15' 11"	22' 6" i	20' 6" i	17' 3" i	18' 3"	16' 7"	14' 6"	20' 6" i	18' 7" i	16' 3" i
800S162-97	50	20' 5"	18' 6"	16' 2"	22' 11"	20' 10"	18' 2" i	18' 6"	16' 10"	14' 9"	20' 10"	18' 11"	16' 6"
800S200-97	50	21' 5"	19' 5"	17' 0"	24' 0"	21' 10"	19' 1"	19' 5"	17' 8"	15' 5"	21' 10"	19' 10"	17' 4"
800S250-97	50	22' 4"	20' 4"	17' 9"	25' 1"	22' 10"	19' 11" i	20' 4"	18' 5"	16' 1"	22' 10"	20' 9"	18' 1"
800S162-118	50	21' 7"	19' 7"	17' 2"	24' 3"	22' 0"	19' 3"	19' 7"	17' 10"	15' 7"	22' 0"	20' 0"	17' 6"
800S200-118	50	22' 8"	20' 7"	18' 0"	25' 5"	23' 1"	20' 2"	20' 7"	18' 8"	16' 4"	23' 1"	21' 0"	18' 4"
800S250-118	50	23' 8"	21' 6"	18' 10"	26' 7"	24' 2"	21' 2"	21' 6"	19' 7"	17' 1"	24' 2"	22' 0"	19' 2"
1000S162-43	33	15' 10" e	13' 8" e	11' 2" e	15' 9" a	12' 10" a	9' 7" a	15' 10" e	13' 8" e	11' 2" e	15' 9" a	12' 10" a	9' 7" a
1000S200-43	33	17' 1" e	14' 9" e	12' 1" e	16' 6" a	13' 5" a	9' 11" a	17' 1" e	14' 9" e	12' 1" e	16' 6" a	13' 5" a	9' 11" a
1000S250-43	33	17' 6" e	15' 2" e	12' 5" e	16' 9" a	13' 7" a	10' 1" a	17' 6" e	15' 2" e	12' 5" e	16' 9" a	13' 7" a	10' 1" a
1000S162-54	50	20' 2"	18' 4"	15' 0" e	21' 2" i	18' 4" i	15' 0" i	18' 4"	16' 8"	14' 7" e	20' 7" i	18' 4" i	15' 0" i
1000S200-54	50	21' 1"	19' 2"	16' 1" e	22' 9" i	19' 9" i	15' 10" i	19' 2"	17' 5"	15' 3" e	21' 6" i	19' 7" i	15' 10" i
1000S250-54	50	22' 3"	20' 3"	16' 6" e	23' 5" i	20' 3" i	16' 1" i	20' 3"	18' 5"	16' 1" e	22' 9" i	20' 3" i	16' 1" i
1000S162-68	50	21' 11"	19' 11"	17' 4"	24' 7" i	21' 8" i	17' 8" i	19' 11"	18' 1"	15' 9"	22' 4" i	20' 3" i	17' 8" i
1000S200-68	50	22' 10"	20' 9"	18' 2"	25' 8" i	23' 2" i	18' 11" i	20' 9"	18' 10"	16' 6"	23' 4" i	21' 2" i	18' 6" i
1000S250-68	50	24' 0"	21' 9"	19' 0"	26' 11" i	23' 10" i	19' 6" i	21' 9"	19' 9"	17' 3"	24' 5" i	22' 3" i	19' 5" i
1000S162-97	50	24' 7"	22' 4"	19' 6"	27' 7"	25' 1"	21' 11" i	22' 4"	20' 3"	17' 9"	25' 1"	22' 9"	19' 11" i
1000S200-97	50	25' 8"	23' 4"	20' 4"	28' 10"	26' 2"	22' 10" i	23' 4"	21' 2"	18' 6"	26' 2"	23' 9"	20' 9" i
1000S250-97	50	26' 9"	24' 3"	21' 3"	30' 0"	27' 3"	23' 10" i	24' 3"	22' 1"	19' 3"	27' 3"	24' 9"	21' 8" i
1000S162-118	50	26' 0"	23' 8"	20' 8"	29' 3"	26' 7"	23' 2"	23' 8"	21' 6"	18' 9"	26' 7"	24' 1"	21' 1"
1000S200-118	50	27' 3"	24' 9"	21' 7"	30' 7"	27' 9"	24' 3"	24' 9"	22' 6"	19' 7"	27' 9"	25' 3"	22' 0"
1000S250-118	50	28' 4"	25' 9"	22' 6"	31' 10"	28' 11"	25' 3"	25' 9"	23' 5"	20' 5"	28' 11"	26' 3"	22' 11"

See Allowable Floor Joist Span Table Notes on page 58.

Floor Joist Span Tables

10 psf Dead Load and 50 psf Live Load

Member	Fy (ksi)	Live Load Deflection L/360						Live Load Deflection L/480					
		Single Span			Two Equal Spans			Single Span			Two Equal Spans		
		Spacing (in) o.c.			Spacing (in) o.c.			Spacing (in) o.c.			Spacing (in) o.c.		
		12	16	24	12	16	24	12	16	24	12	16	24
1200S162-54	50	22' 10" e	19' 9" e	16' 1" e	22' 10" a	19' 6" a	14' 8" a	21' 1" e	19' 2" e	16' 1" e	22' 10" a	19' 6" a	14' 8" a
1200S200-54	50	24' 3" e	21' 4" e	17' 5" e	24' 8" a	20' 6" a	15' 4" a	22' 0" e	20' 0" e	17' 5" e	24' 8" a	20' 6" a	15' 4" a
1200S250-54	50	25' 3" e	22' 1" e	18' 0" e	25' 6" a	20' 11" a	15' 7" a	22' 11" e	20' 10" e	18' 0" e	25' 6" a	20' 11" a	15' 7" a
1200S162-68	50	25' 3" e	22' 11" e	19' 2" e	27' 1" i	23' 6" i	19' 2" i	22' 11" e	20' 10" e	18' 2" e	25' 9" i	23' 5" i	19' 2" i
1200S200-68	50	26' 4" e	23' 11" e	20' 8" e	29' 2" i	25' 3" i	20' 8" i	23' 11" e	21' 9" e	19' 0" e	26' 10" i	24' 5" i	20' 8" i
1200S250-68	50	27' 5" e	24' 11" e	21' 4" e	30' 1" i	26' 1" i	21' 4" i	23' 11" e	22' 8" e	19' 9" e	28' 0" i	25' 5" i	21' 4" i
1200S162-97	50	28' 7" e	26' 0" e	22' 8" e	32' 1" i	29' 2" i	24' 11" i	26' 0" e	23' 7" e	20' 7" e	29' 2" i	26' 6" i	23' 2" i
1200S200-97	50	29' 9" e	27' 1" e	23' 8" e	33' 5" i	30' 4" i	26' 6" i	27' 1" e	24' 7" e	21' 6" e	30' 4" i	27' 7" i	24' 1" i
1200S250-97	50	30' 11" e	28' 1" e	24' 7" e	34' 9" i	31' 7" i	27' 5" i	28' 1" e	25' 6" e	22' 4" e	31' 7" i	28' 8" i	25' 0" i
1200S162-118	50	30' 5" e	27' 7" e	24' 2" e	34' 2" i	31' 0" i	27' 1" i	27' 7" e	25' 1" e	21' 11" e	31' 0" i	28' 2" i	24' 7" i
1200S200-118	50	31' 8" e	28' 9" e	25' 2" e	35' 7" i	32' 4" i	28' 3" i	28' 9" e	26' 2" e	22' 10" e	32' 4" i	29' 4" i	25' 8" i
1200S250-118	50	32' 11" e	29' 11" e	26' 1" e	36' 11" i	33' 7" i	29' 4" i	29' 11" e	27' 2" e	23' 9" e	33' 7" i	30' 6" i	26' 8" i
1200S300-118	50	33' 11" e	30' 10" e	26' 11" e	38' 1" i	34' 7" i	30' 3" i	30' 10" e	28' 0" e	24' 6" e	34' 7" i	31' 5" i	27' 6" i
1200S350-118	50	35' 8" e	32' 5" e	28' 4" e	40' 1" i	36' 5" i	31' 10" i	32' 5" e	29' 6" e	25' 9" e	36' 5" i	33' 1" i	28' 11" i
1400S200-54	50	26' 2" e	22' 8" e	18' 6" e	24' 5" a	19' 10" a	14' 7" a	24' 9" e	22' 6" e	18' 6" e	24' 5" a	19' 10" a	14' 7" a
1400S250-54	50	27' 2" e	23' 7" e	19' 3" e	24' 11" a	20' 2" a	14' 10" a	25' 9" e	23' 5" e	19' 3" e	24' 11" a	20' 2" a	14' 10" a
1400S300-54	50	27' 10" e	24' 2" e	19' 7" e	25' 3" a	20' 5" a	14' 11" a	26' 2" e	23' 9" e	19' 7" e	25' 3" a	20' 5" a	14' 11" a
1400S350-54	50	30' 9" e	27' 1" e	19' 7" e	26' 10" a	21' 7" a	15' 8" a	27' 11" e	25' 5" e	19' 7" e	26' 10" a	21' 7" a	15' 8" a
1400S200-68	50	29' 8" e	26' 11" e	22' 0" e	31' 1" i	26' 11" i	22' 0" i	26' 11" e	24' 6" e	21' 5" e	30' 3" i	26' 11" i	22' 0" i
1400S250-68	50	30' 10" e	28' 0" e	22' 10" e	32' 3" i	28' 0" i	22' 6" i	28' 0" e	25' 6" e	22' 3" e	31' 6" i	28' 0" i	22' 6" i
1400S300-68	50	31' 8" e	28' 7" e	23' 4" e	33' 1" i	28' 7" i	22' 10" i	28' 9" e	26' 2" e	22' 10" e	32' 4" i	28' 7" i	22' 10" i
1400S350-68	50	33' 11" e	30' 10" e	26' 1" e	36' 11" i	31' 11" i	24' 5" a	30' 10" e	28' 0" e	24' 6" e	34' 7" i	31' 5" i	24' 5" a
1400S200-97	50	33' 8" e	30' 7" e	26' 9" e	37' 9" i	34' 4" i	28' 7" i	30' 7" e	27' 9" e	24' 3" e	34' 4" i	31' 2" i	27' 3" i
1400S250-97	50	34' 11" e	31' 9" e	27' 8" e	39' 2" i	35' 7" i	29' 8" i	31' 9" e	28' 10" e	25' 2" e	35' 7" i	32' 4" i	28' 3" i
1400S300-97	50	36' 0" e	32' 8" e	28' 7" e	40' 5" i	36' 8" i	30' 4" i	32' 8" e	29' 8" e	25' 11" e	36' 8" i	33' 4" i	29' 1" i
1400S350-97	50	37' 11" e	34' 6" e	30' 1" e	42' 7" i	38' 8" i	33' 5" i	34' 6" e	31' 4" e	27' 4" e	38' 8" i	35' 2" i	30' 9" i
1400S200-118	50	36' 0" e	32' 9" e	28' 7" e	40' 5" i	36' 9" i	32' 1" i	32' 9" e	29' 9" e	26' 0" e	36' 9" i	33' 5" i	29' 2" i
1400S250-118	50	37' 4" e	33' 11" e	29' 8" e	41' 11" i	38' 1" i	33' 3" i	33' 11" e	30' 10" e	26' 11" e	38' 1" i	34' 7" i	30' 3" i
1400S300-118	50	38' 7" e	35' 0" e	30' 7" e	43' 3" i	39' 4" i	34' 4" i	35' 0" e	31' 10" e	27' 10" e	39' 4" i	35' 9" i	31' 3" i
1400S350-118	50	40' 4" e	36' 8" e	32' 0" e	45' 4" i	41' 2" i	36' 0" i	36' 8" e	33' 4" e	29' 1" e	41' 2" i	37' 5" i	32' 8" i
1600S200-68	50	32' 9" e	28' 4" e	23' 2" e	32' 9" a	28' 4" a	21' 6" a	29' 10" e	27' 1" e	23' 2" e	32' 9" a	28' 4" a	21' 6" a
1600S250-68	50	34' 1" e	29' 6" e	24' 1" e	34' 1" a	29' 3" a	22' 0" a	31' 0" e	28' 2" e	24' 1" e	34' 1" a	29' 3" a	22' 0" a
1600S300-68	50	35' 0" e	30' 4" e	24' 9" e	35' 1" a	29' 9" a	22' 4" a	31' 10" e	28' 11" e	24' 9" e	35' 1" a	29' 9" a	22' 4" a
1600S350-68	50	36' 11" e	33' 6" e	27' 10" e	39' 0" a	31' 10" a	23' 8" a	33' 6" e	30' 5" e	26' 7" e	37' 8" a	31' 10" a	23' 8" a
1600S200-97	50	37' 5" e	34' 0" e	29' 8" e	42' 0" i	37' 1" i	30' 3" i	34' 0" e	30' 11" e	27' 0" e	38' 2" i	34' 8" i	30' 3" i
1600S250-97	50	38' 9" e	35' 3" e	30' 9" e	43' 6" i	38' 7" i	31' 6" i	35' 3" e	32' 0" e	27' 11" e	39' 6" i	35' 11" i	31' 5" i
1600S300-97	50	39' 11" e	36' 3" e	31' 8" e	44' 10" i	39' 8" i	32' 4" i	36' 3" e	32' 11" e	28' 9" e	40' 8" i	37' 0" i	32' 4" i
1600S350-97	50	41' 10" e	38' 0" e	33' 2" e	46' 11" i	42' 8" i	35' 9" i	38' 0" e	34' 6" e	30' 2" e	42' 8" i	38' 9" i	33' 10" i
1600S200-118	50	40' 2" e	36' 6" e	31' 10" e	45' 1" i	41' 0" i	35' 1" i	36' 6" e	33' 2" e	29' 0" e	41' 0" i	37' 3" i	32' 6" i
1600S250-118	50	41' 6" e	37' 9" e	33' 0" e	46' 7" i	42' 4" i	36' 6" i	37' 9" e	34' 3" e	29' 11" e	42' 4" i	38' 6" i	33' 7" i
1600S300-118	50	42' 10" e	38' 11" e	34' 0" e	48' 1" i	43' 8" i	37' 6" i	38' 11" e	35' 4" e	30' 11" e	43' 8" i	39' 8" i	34' 8" i
1600S350-118	50	44' 9" e	40' 8" e	35' 6" e	50' 3" i	45' 8" i	39' 11" i	40' 8" e	36' 11" e	32' 3" e	45' 8" i	41' 6" i	36' 3" i

See Allowable Floor Joist Span Table Notes on page 58.

Floor Joist Span Tables



15 psf Dead Load and 125 psf Live Load

Member	F _y (ksi)	Live Load Deflection L/360						Live Load Deflection L/480					
		Single Span			Two Equal Spans			Single Span			Two Equal Spans		
		Spacing (in) o.c.			Spacing (in) o.c.			Spacing (in) o.c.			Spacing (in) o.c.		
		12	16	24	12	16	24	12	16	24	12	16	24
600S162-33	33	6' 9" e	5' 10" e	4' 7" e	6' 0" a	4' 10" a	3' 6" a	6' 9" e	5' 10" e	4' 7" e	6' 0" a	4' 10" a	3' 6" a
600S200-33	33	7' 2" e	6' 2" e	4' 7" e	6' 2" a	5' 0" a	3' 7" a	7' 2" e	6' 2" e	4' 7" e	6' 2" a	5' 0" a	3' 7" a
600S162-43	33	8' 4" e	7' 2" e	5' 10" e	8' 4" a	7' 2" a	5' 9" a	8' 4" e	7' 2" e	5' 10" e	8' 4" a	7' 2" a	5' 9" a
600S200-43	33	8' 7" e	7' 5" e	6' 1" e	8' 7" a	7' 5" a	5' 11" a	8' 7" e	7' 5" e	6' 1" e	8' 7" a	7' 5" a	5' 11" a
600S250-43	33	8' 9" e	7' 7" e	6' 3" e	8' 9" a	7' 7" a	6' 0" a	8' 9" e	7' 7" e	6' 3" e	8' 9" a	7' 7" a	6' 0" a
600S162-54	50	10' 0"	9' 1"	7' 10" e	11' 1" i	9' 7" i	7' 10" a	9' 1"	8' 3" e	7' 3" e	10' 2" i	9' 3" i	7' 10" a
600S200-54	50	10' 6"	9' 7"	8' 1" e	11' 5" i	9' 11" i	8' 1" a	9' 7"	8' 8"	7' 7" e	10' 9" i	9' 9" i	8' 1" a
600S250-54	50	11' 0"	9' 11" e	8' 3" e	11' 8" i	10' 2" i	8' 3" a	9' 11"	9' 1"	7' 11" e	11' 2" i	10' 2" i	8' 3" a
600S162-68	50	10' 9"	9' 9"	8' 6"	12' 0" i	10' 11" i	9' 3" i	9' 9"	8' 10"	7' 9"	10' 11" i	9' 11" i	8' 8" i
600S200-68	50	11' 3"	10' 3"	8' 11"	12' 8" i	11' 6" i	9' 9" i	10' 3"	9' 4"	8' 2"	11' 6" i	10' 5" i	9' 2" i
600S250-68	50	11' 10"	10' 9"	9' 5"	13' 3" i	11' 10" i	9' 8" i	10' 9"	9' 9"	8' 6"	12' 1" i	10' 11" i	9' 7" i
600S162-97	50	11' 11"	10' 10"	9' 5"	13' 4"	12' 1"	10' 7" i	10' 10"	9' 10"	8' 7"	12' 1"	11' 0"	9' 7" i
600S200-97	50	12' 6"	11' 4"	9' 11"	14' 1"	12' 9"	11' 2" i	11' 4"	10' 4"	9' 0"	12' 9"	11' 7"	10' 2" i
600S250-97	50	13' 2"	11' 11"	10' 5"	14' 9"	13' 5" i	11' 9" i	11' 11"	10' 10"	9' 6"	13' 5"	12' 2"	10' 8" i
600S162-118	50	12' 7"	11' 5"	10' 0"	14' 1"	12' 10"	11' 2"	11' 5"	10' 4"	9' 1"	12' 10"	11' 8"	10' 2" i
600S200-118	50	13' 3"	12' 0"	10' 6"	14' 10"	13' 6"	11' 10"	12' 0"	10' 11"	9' 7"	13' 6"	12' 3"	10' 9"
600S250-118	50	13' 11"	12' 8"	11' 1"	15' 8"	14' 2"	12' 5"	12' 8"	11' 6"	10' 0"	14' 2"	12' 11"	11' 3"
800S162-33	33	6' 9" e	5' 1" e	3' 5" e	5' 5" a	4' 1" a	2' 8" a	6' 9" e	5' 1" e	3' 5" e	5' 5" a	4' 1" a	2' 8" a
800S200-33	33	6' 9" e	5' 1" e	3' 5" e	5' 5" a	4' 1" a	2' 8" a	6' 9" e	5' 1" e	3' 5" e	5' 5" a	4' 1" a	2' 8" a
800S162-43	33	9' 4" e	8' 1" e	6' 7" e	9' 0" a	7' 4" a	5' 5" a	9' 4" e	8' 1" e	6' 7" e	9' 0" a	7' 4" a	5' 5" a
800S200-43	33	10' 0" e	8' 8" e	7' 1" e	9' 4" a	7' 6" a	5' 7" a	10' 0" e	8' 8" e	7' 1" e	9' 4" a	7' 6" a	5' 7" a
800S250-43	33	10' 3" e	8' 11" e	7' 3" e	9' 6" a	7' 8" a	5' 8" a	10' 3" e	8' 11" e	7' 3" e	9' 6" a	7' 8" a	5' 8" a
800S162-54	50	12' 6" e	10' 10" e	8' 10" e	12' 6" i	10' 10" i	8' 8" a	11' 4"	10' 4" e	8' 10" e	12' 6" i	10' 10" i	8' 8" a
800S200-54	50	13' 2" e	11' 7" e	9' 5" e	13' 4" i	11' 7" a	9' 0" a	12' 0"	10' 11" e	9' 5" e	13' 4" i	11' 7" a	9' 0" a
800S250-54	50	13' 8" e	11' 10" e	9' 8" e	13' 8" i	11' 10" a	9' 1" a	12' 6"	11' 4" e	9' 8" e	13' 8" i	11' 10" a	9' 1" a
800S162-68	50	13' 6"	12' 3"	10' 4" e	14' 8" i	12' 8" i	10' 4" i	12' 3"	11' 2"	9' 9" e	13' 10" i	12' 6" i	10' 4" i
800S200-68	50	14' 2"	12' 11"	11' 3" e	15' 11" i	14' 0" i	11' 5" a	12' 11"	11' 8"	10' 3" e	14' 5" i	13' 2" i	11' 5" a
800S250-68	50	14' 9"	13' 5"	11' 4" e	16' 0" i	13' 10" i	11' 4" a	13' 5"	12' 2"	10' 8" e	15' 1" i	13' 8" i	11' 4" a
800S162-97	50	15' 0"	13' 8"	11' 11"	16' 11" i	15' 4" i	13' 1" i	13' 8"	12' 5"	10' 10"	15' 4" i	13' 11" i	12' 2" i
800S200-97	50	15' 9"	14' 4"	12' 6"	17' 8" i	16' 1" i	14' 1" i	14' 4"	13' 0"	11' 4"	16' 1" i	14' 7" i	12' 9" i
800S250-97	50	16' 6"	15' 0"	13' 1"	18' 6" i	16' 10" i	14' 8" i	15' 0"	13' 7"	11' 11"	16' 10" i	15' 3" i	13' 4" i
800S162-118	50	15' 11"	14' 5"	12' 7"	17' 10" i	16' 3" i	14' 2" i	14' 5"	13' 2"	11' 6"	16' 3" i	14' 9" i	12' 11" i
800S200-118	50	16' 8"	15' 2"	13' 3"	18' 9"	17' 0"	14' 11" i	15' 2"	13' 9"	12' 0"	17' 0"	15' 6"	13' 6" i
800S250-118	50	17' 6"	15' 10"	13' 10"	19' 7"	17' 10"	15' 7" i	15' 10"	14' 5"	12' 7"	17' 10"	16' 2"	14' 2" i
1000S162-43	33	10' 4" e	8' 11" e	6' 0" e	8' 6" a	6' 9" a	4' 9" a	10' 4" e	8' 11" e	6' 0" e	8' 6" a	6' 9" a	4' 9" a
1000S200-43	33	11' 2" e	8' 11" e	6' 0" e	8' 10" a	7' 0" a	4' 9" a	11' 2" e	8' 11" e	6' 0" e	8' 10" a	7' 0" a	4' 9" a
1000S250-43	33	11' 6" e	8' 11" e	6' 0" e	8' 11" a	7' 1" a	4' 9" a	11' 6" e	8' 11" e	6' 0" e	8' 11" a	7' 1" a	4' 9" a
1000S162-54	50	13' 10" e	12' 0" e	9' 10" e	13' 7" i	11' 2" a	8' 3" a	13' 6" e	12' 0" e	9' 10" e	13' 7" i	11' 2" a	8' 3" a
1000S200-54	50	14' 11" e	12' 11" e	10' 6" e	14' 3" a	11' 7" a	8' 6" a	14' 2" e	12' 10" e	10' 6" e	14' 3" a	11' 7" a	8' 6" a
1000S250-54	50	15' 4" e	13' 3" e	10' 10" e	14' 6" a	11' 9" a	8' 8" a	14' 11" e	13' 3" e	10' 10" e	14' 6" a	11' 9" a	8' 8" a
1000S162-68	50	16' 1"	14' 2" e	11' 7" e	16' 5" i	14' 2" i	11' 7" a	14' 8"	13' 4"	11' 7" e	16' 5" i	14' 2" i	11' 7" a
1000S200-68	50	16' 10"	15' 2" e	12' 5" e	17' 6" i	15' 2" i	12' 5" a	15' 4"	13' 11" e	12' 2" e	17' 2" i	15' 2" i	12' 5" a
1000S250-68	50	17' 8"	15' 7" e	12' 9" e	18' 0" i	15' 7" i	12' 9" a	16' 0"	14' 7" e	12' 9" e	18' 0" i	15' 7" i	12' 9" a
1000S162-97	50	18' 1"	16' 5"	14' 4"	20' 4" i	18' 2" i	14' 10" i	16' 5"	14' 11"	13' 1"	18' 6" i	16' 9" i	14' 8" i
1000S200-97	50	18' 11"	17' 2"	15' 0"	21' 3" i	19' 3" i	15' 10" i	17' 2"	15' 7"	13' 8"	19' 3" i	17' 6" i	15' 4" i
1000S250-97	50	19' 8"	17' 11"	15' 8"	22' 1" i	20' 1" i	16' 11" i	17' 11"	16' 3"	14' 2"	20' 1" i	18' 3" i	15' 11" i
1000S162-118	50	19' 2"	17' 5"	15' 3"	21' 6" i	19' 7" i	16' 11" i	17' 5"	15' 10"	13' 10"	19' 7" i	17' 9" i	15' 6" i
1000S200-118	50	20' 1"	18' 3"	15' 11"	22' 6" i	20' 5" i	17' 10" i	18' 3"	16' 7"	14' 6"	20' 5" i	18' 7" i	16' 3" i
1000S250-118	50	20' 11"	19' 0"	16' 7"	23' 5" i	21' 4" i	18' 7" i	19' 0"	17' 3"	15' 1"	21' 4" i	19' 4" i	16' 11" i

See Allowable Floor Joist Span Table Notes on page 58.

Floor Joist Span Tables

15 psf Dead Load and 125 psf Live Load

Member	Fy (ksi)	Live Load Deflection L/360						Live Load Deflection L/480					
		Single Span			Two Equal Spans			Single Span			Two Equal Spans		
		Spacing (in) o.c.			Spacing (in) o.c.			Spacing (in) o.c.			Spacing (in) o.c.		
		12	16	24	12	16	24	12	16	24	12	16	24
1200S162-54	50	14' 11" e	12' 11" e	9' 10" e	13' 2" a	10' 7" a	7' 8" a	14' 11" e	12' 11" e	9' 10" e	13' 2" a	10' 7" a	7' 8" a
1200S200-54	50	16' 2" e	14' 0" e	9' 10" e	13' 8" a	11' 0" a	7' 10" a	16' 2" e	14' 0" e	9' 10" e	13' 8" a	11' 0" a	7' 10" a
1200S250-54	50	16' 8" e	14' 5" e	9' 10" e	13' 10" a	11' 1" a	7' 10" a	16' 8" e	14' 5" e	9' 10" e	13' 10" a	11' 1" a	7' 10" a
1200S162-68	50	17' 9" e	15' 4" e	12' 7" e	17' 9" i	15' 4" i	11' 11" a	16' 11" e	15' 4" e	12' 7" e	17' 9" i	15' 4" i	11' 11" a
1200S200-68	50	19' 1" e	16' 6" e	13' 6" e	19' 1" i	16' 6" a	12' 6" a	17' 7" e	16' 0" e	13' 6" e	19' 1" i	16' 6" a	12' 6" a
1200S250-68	50	19' 9" e	17' 1" e	13' 11" e	19' 9" i	16' 10" a	12' 8" a	18' 4" e	16' 8" e	13' 11" e	19' 9" i	16' 10" a	12' 8" a
1200S162-97	50	21' 1" e	19' 2" e	16' 3" e	23' 0" i	19' 11" i	16' 3" i	19' 2" e	17' 5" e	15' 2" e	21' 6" i	19' 6" i	16' 3" i
1200S200-97	50	21' 11" e	19' 11" e	17' 5" e	24' 7" i	21' 4" i	17' 5" i	19' 11" e	18' 1" e	15' 10" e	22' 4" i	20' 4" i	17' 5" i
1200S250-97	50	22' 9" e	20' 8" e	18' 0" e	25' 5" i	22' 0" i	18' 0" i	20' 8" e	18' 10" e	16' 5" e	23' 3" i	21' 1" i	18' 0" i
1200S162-118	50	22' 5" e	20' 4" e	17' 9" e	25' 2" i	22' 10" i	18' 9" i	20' 4" e	18' 6" e	16' 2" e	22' 10" i	20' 9" i	18' 2" i
1200S200-118	50	23' 4" e	21' 2" e	18' 6" e	26' 2" i	23' 10" i	19' 11" i	21' 2" e	19' 3" e	16' 10" e	23' 10" i	21' 8" i	18' 11" i
1200S250-118	50	24' 3" e	22' 0" e	19' 3" e	27' 3" i	24' 9" i	20' 8" i	22' 0" e	20' 0" e	17' 6" e	24' 9" i	22' 6" i	19' 7" i
1200S300-118	50	25' 0" e	22' 9" e	19' 10" e	28' 1" i	25' 6" i	21' 11" i	22' 9" e	20' 8" e	18' 0" e	25' 6" i	23' 2" i	20' 3" i
1200S350-118	50	26' 4" e	23' 11" e	20' 10" e	29' 6" i	26' 10" i	23' 5" i	23' 11" e	21' 8" e	19' 0" e	26' 10" i	24' 4" i	21' 3" i
1400S200-54	50	16' 10" e	12' 7" e	8' 5" e	12' 11" a	10' 1" a	6' 9" a	16' 10" e	12' 7" e	8' 5" e	12' 11" a	10' 1" a	6' 9" a
1400S250-54	50	16' 10" e	12' 7" e	8' 5" e	13' 1" a	10' 1" a	6' 9" a	16' 10" e	12' 7" e	8' 5" e	13' 1" a	10' 1" a	6' 9" a
1400S300-54	50	16' 10" e	12' 7" e	8' 5" e	13' 2" a	10' 1" a	6' 9" a	16' 10" e	12' 7" e	8' 5" e	13' 2" a	10' 1" a	6' 9" a
1400S350-54	50	16' 10" e	12' 7" e	8' 5" e	13' 5" a	10' 1" a	6' 9" a	16' 10" e	12' 7" e	8' 5" e	13' 5" a	10' 1" a	6' 9" a
1400S200-68	50	20' 4" e	17' 8" e	14' 5" e	19' 9" i	16' 2" a	12' 0" a	19' 10" e	17' 8" e	14' 5" e	19' 9" i	16' 2" a	12' 0" a
1400S250-68	50	21' 2" e	18' 4" e	14' 11" e	20' 3" a	16' 6" a	12' 2" a	20' 8" e	18' 4" e	14' 11" e	20' 3" a	16' 6" a	12' 2" a
1400S300-68	50	21' 8" e	18' 9" e	15' 4" e	20' 6" a	16' 8" a	12' 4" a	21' 2" e	18' 9" e	15' 4" e	20' 6" a	16' 8" a	12' 4" a
1400S350-68	50	24' 2" e	20' 11" e	16' 11" e	21' 10" a	17' 8" a	12' 11" a	22' 9" e	20' 8" e	16' 11" e	21' 10" a	17' 8" a	12' 11" a
1400S200-97	50	24' 10" e	22' 6" e	18' 9" e	26' 6" i	22' 11" i	18' 9" i	22' 6" e	20' 6" e	17' 11" e	25' 4" i	22' 11" i	18' 9" i
1400S250-97	50	25' 9" e	23' 4" e	19' 5" e	27' 5" i	23' 9" i	19' 5" a	23' 4" e	21' 3" e	18' 7" e	26' 3" i	23' 9" i	19' 5" a
1400S300-97	50	26' 6" e	24' 1" e	19' 10" e	28' 1" i	24' 4" i	19' 10" a	24' 1" e	21' 11" e	19' 1" e	27' 0" i	24' 4" i	19' 10" a
1400S350-97	50	28' 0" e	25' 5" e	21' 11" e	31' 0" i	26' 10" i	21' 11" a	25' 5" e	23' 1" e	20' 2" e	28' 6" i	25' 11" i	21' 11" a
1400S200-118	50	26' 7" e	24' 1" e	21' 1" e	29' 10" i	26' 5" i	21' 7" i	24' 1" e	21' 11" e	19' 2" e	27' 1" i	24' 7" i	21' 6" i
1400S250-118	50	27' 6" e	25' 0" e	21' 10" e	30' 11" i	27' 5" i	22' 5" i	25' 0" e	22' 8" e	19' 10" e	28' 1" i	25' 6" i	22' 3" i
1400S300-118	50	28' 5" e	25' 10" e	22' 7" e	31' 11" i	28' 1" i	22' 11" i	25' 10" e	23' 5" e	20' 6" e	29' 0" i	26' 4" i	22' 11" i
1400S350-118	50	29' 9" e	27' 0" e	23' 7" e	33' 5" i	30' 4" i	25' 11" i	27' 0" e	24' 7" e	21' 5" e	30' 4" i	27' 7" i	24' 1" i
1600S200-68	50	21' 5" e	18' 7" e	14' 9" e	19' 3" a	15' 6" a	11' 4" a	21' 5" e	18' 7" e	14' 9" e	19' 3" a	15' 6" a	11' 4" a
1600S250-68	50	22' 4" e	19' 4" e	14' 9" e	19' 8" a	15' 10" a	11' 6" a	22' 4" e	19' 4" e	14' 9" e	19' 8" a	15' 10" a	11' 6" a
1600S300-68	50	22' 11" e	19' 10" e	14' 9" e	19' 11" a	16' 1" a	11' 8" a	22' 11" e	19' 10" e	14' 9" e	19' 11" a	16' 1" a	11' 8" a
1600S350-68	50	25' 9" e	22' 1" e	14' 9" e	21' 1" a	16' 11" a	11' 9" a	24' 8" e	22' 1" e	14' 9" e	21' 1" a	16' 11" a	11' 9" a
1600S200-97	50	27' 7" e	24' 3" e	19' 10" e	28' 0" i	24' 3" i	19' 10" a	25' 1" e	22' 9" e	19' 10" e	28' 0" i	24' 3" i	19' 10" a
1600S250-97	50	28' 7" e	25' 3" e	20' 8" e	29' 2" i	25' 3" i	20' 8" a	25' 11" e	23' 7" e	20' 7" e	29' 2" i	25' 3" i	20' 8" a
1600S300-97	50	29' 5" e	25' 11" e	21' 2" e	29' 11" i	25' 11" i	21' 2" a	26' 9" e	24' 3" e	21' 2" e	29' 11" i	25' 11" i	21' 2" a
1600S350-97	50	30' 10" e	28' 0" e	23' 5" e	33' 2" i	28' 8" a	23' 5" a	28' 0" e	25' 5" e	22' 3" e	31' 5" i	28' 7" a	23' 5" a
1600S200-118	50	29' 7" e	26' 11" e	23' 0" e	32' 6" i	28' 2" i	23' 0" i	26' 11" e	24' 5" e	21' 4" e	30' 2" i	27' 5" i	23' 0" i
1600S250-118	50	30' 7" e	27' 10" e	23' 11" e	33' 10" i	29' 3" i	23' 11" i	27' 10" e	25' 3" e	22' 1" e	31' 3" i	28' 4" i	23' 11" i
1600S300-118	50	31' 7" e	28' 8" e	24' 7" e	34' 9" i	30' 1" i	24' 7" i	28' 8" e	26' 1" e	22' 9" e	32' 2" i	29' 3" i	24' 7" i
1600S350-118	50	33' 0" e	30' 0" e	26' 2" e	37' 0" i	33' 0" i	26' 11" a	30' 0" e	27' 3" e	23' 9" e	33' 8" i	30' 7" i	26' 8" i

See Allowable Floor Joist Span Table Notes on page 58.

Floor Joist Span Tables



40 psf Dead Load and 125 psf Live Load

Member	F _y (ksi)	Live Load Deflection L/360						Live Load Deflection L/480					
		Single Span			Two Equal Spans			Single Span			Two Equal Spans		
		Spacing (in) o.c.			Spacing (in) o.c.			Spacing (in) o.c.			Spacing (in) o.c.		
		12	16	24	12	16	24	12	16	24	12	16	24
600S162-33	33	6' 2" e	5' 4" e	3' 10" e	5' 3" a	4' 3" a	3' 1" a	6' 2" e	5' 4" e	3' 10" e	5' 3" a	4' 3" a	3' 1" a
600S200-33	33	6' 7" e	5' 9" e	3' 10" e	5' 6" a	4' 4" a	3' 1" a	6' 7" e	5' 9" e	3' 10" e	5' 6" a	4' 4" a	3' 1" a
600S162-43	33	7' 8" e	6' 7" e	5' 5" e	7' 8" a	6' 7" a	5' 2" a	7' 8" e	6' 7" e	5' 5" e	7' 8" a	6' 7" a	5' 2" a
600S200-43	33	7' 11" e	6' 10" e	5' 7" e	7' 11" a	6' 10" a	5' 3" a	7' 11" e	6' 10" e	5' 7" e	7' 11" a	6' 10" a	5' 3" a
600S250-43	33	8' 1" e	7' 0" e	5' 9" e	8' 1" a	7' 0" a	5' 4" a	8' 1" e	7' 0" e	5' 9" e	8' 1" a	7' 0" a	5' 4" a
600S162-54	50	10' 0"	8' 10" e	7' 3" e	10' 3" i	8' 10" i	7' 3" a	9' 1" i	8' 3" i	7' 3" e	10' 2" i	8' 10" i	7' 3" a
600S200-54	50	10' 6"	9' 1" e	7' 5" e	10' 6" i	9' 1" i	7' 5" a	9' 7" i	8' 8" e	7' 5" e	10' 6" i	9' 1" i	7' 5" a
600S250-54	50	10' 9"	9' 4" e	7' 7" e	10' 9" i	9' 4" i	7' 7" a	9' 11" i	9' 1" e	7' 7" e	10' 9" i	9' 4" i	7' 7" a
600S162-68	50	10' 9"	9' 9"	8' 6" e	12' 0" i	10' 5" i	8' 6" i	9' 9" i	8' 10" i	7' 9" i	10' 11" i	9' 11" i	8' 6" i
600S200-68	50	11' 3"	10' 3"	8' 11" e	12' 8" i	11' 0" i	8' 11" i	10' 3" i	9' 4" i	8' 2" i	11' 6" i	10' 5" i	8' 11" i
600S250-68	50	11' 10"	10' 9"	8' 11" e	12' 7" i	10' 11" i	8' 11" i	10' 9" i	9' 9" i	8' 6" e	12' 1" i	10' 11" i	8' 11" i
600S162-97	50	11' 11"	10' 10"	9' 5" e	13' 4" i	12' 1" i	10' 7" i	10' 10" i	9' 10" i	8' 7" i	12' 1" i	11' 0" i	9' 7" i
600S200-97	50	12' 6"	11' 4"	9' 11" e	14' 1" i	12' 9" i	11' 2" i	11' 4" i	10' 4" i	9' 0" i	12' 9" i	11' 7" i	10' 2" i
600S250-97	50	13' 2"	11' 11"	10' 5" e	14' 9" i	13' 5" i	11' 7" i	11' 11" i	10' 10" i	9' 6" i	13' 5" i	12' 2" i	10' 8" i
600S162-118	50	12' 7"	11' 5"	10' 0"	14' 1" i	12' 10" i	11' 2" i	11' 5" i	10' 4" i	9' 1" i	12' 10" i	11' 8" i	10' 2" i
600S200-118	50	13' 3"	12' 0"	10' 6" e	14' 10" i	13' 6" i	11' 10" i	12' 0" i	10' 11" i	9' 7" i	13' 6" i	12' 3" i	10' 9" i
600S250-118	50	13' 11"	12' 8"	11' 1" e	15' 8" i	14' 2" i	12' 5" i	12' 8" i	11' 6" i	10' 0" i	14' 2" i	12' 11" i	11' 3" i
800S162-33	33	5' 9" e	4' 4" e	2' 10" e	4' 7" a	3' 5" a	2' 4" a	5' 9" e	4' 4" e	2' 10" e	4' 7" a	3' 5" a	2' 4" a
800S200-33	33	5' 9" e	4' 4" e	2' 10" e	4' 7" a	3' 5" a	2' 4" a	5' 9" e	4' 4" e	2' 10" e	4' 7" a	3' 5" a	2' 4" a
800S162-43	33	8' 7" e	7' 5" e	6' 1" e	8' 0" a	6' 5" a	4' 9" a	8' 7" e	7' 5" e	6' 1" e	8' 0" a	6' 5" a	4' 9" a
800S200-43	33	9' 3" e	8' 0" e	6' 4" e	8' 3" a	6' 8" a	4' 11" a	9' 3" e	8' 0" e	6' 4" e	8' 3" a	6' 8" a	4' 11" a
800S250-43	33	9' 5" e	8' 2" e	6' 4" e	8' 5" a	6' 9" a	4' 11" a	9' 5" e	8' 2" e	6' 4" e	8' 5" a	6' 9" a	4' 11" a
800S162-54	50	11' 6" e	10' 0" e	8' 2" e	11' 6" i	10' 0" a	7' 8" a	11' 4" e	10' 0" e	8' 2" e	11' 6" i	10' 0" a	7' 8" a
800S200-54	50	12' 3" e	10' 8" e	8' 8" e	12' 3" i	10' 8" a	8' 0" a	12' 0" e	10' 8" e	8' 8" e	12' 3" i	10' 8" a	8' 0" a
800S250-54	50	12' 7" e	10' 11" e	8' 11" e	12' 7" a	10' 9" a	8' 1" a	12' 6" e	10' 11" e	8' 11" e	12' 7" a	10' 9" a	8' 1" a
800S162-68	50	13' 6"	11' 8"	9' 7" e	13' 6" i	11' 8" i	9' 7" a	12' 3" i	11' 2" i	9' 7" e	13' 6" i	11' 8" i	9' 7" a
800S200-68	50	14' 2"	12' 11" e	10' 6" e	14' 10" i	12' 11" i	10' 6" a	12' 11" i	11' 8" i	10' 3" e	14' 5" i	12' 11" i	10' 6" a
800S250-68	50	14' 9"	12' 9" e	10' 5" e	14' 9" i	12' 9" i	10' 5" a	13' 5" i	12' 2" e	10' 5" e	14' 9" i	12' 9" i	10' 5" a
800S162-97	50	15' 0"	13' 8"	11' 11" e	16' 11" i	14' 9" i	12' 1" i	13' 8" i	12' 5" i	10' 10" i	15' 4" i	13' 11" i	12' 1" i
800S200-97	50	15' 9"	14' 4"	12' 6" e	17' 8" i	16' 1" i	13' 6" i	14' 4" i	13' 0" i	11' 4" i	16' 1" i	14' 7" i	12' 9" i
800S250-97	50	16' 6"	15' 0"	13' 1" e	18' 6" i	16' 10" i	13' 9" i	15' 0" i	13' 7" i	11' 11" i	16' 10" i	15' 3" i	13' 4" i
800S162-118	50	15' 11"	14' 5"	12' 7" e	17' 10" i	16' 3" i	14' 2" i	14' 5" i	13' 2" i	11' 6" i	16' 3" i	14' 9" i	12' 11" i
800S200-118	50	16' 8"	15' 2"	13' 3" e	18' 9" i	17' 0" i	14' 11" i	15' 2" i	13' 9" i	12' 0" i	17' 0" i	15' 6" i	13' 6" i
800S250-118	50	17' 6"	15' 10"	13' 10" e	19' 7" i	17' 10" i	15' 7" i	15' 10" i	14' 5" i	12' 7" i	17' 10" i	16' 2" i	14' 2" i
1000S162-43	33	9' 6" e	7' 7" e	5' 1" e	7' 6" a	5' 11" a	4' 1" a	9' 6" e	7' 7" e	5' 1" e	7' 6" a	5' 11" a	4' 1" a
1000S200-43	33	10' 2" e	7' 7" e	5' 1" e	7' 9" a	6' 1" a	4' 1" a	10' 2" e	7' 7" e	5' 1" e	7' 9" a	6' 1" a	4' 1" a
1000S250-43	33	10' 2" e	7' 7" e	5' 1" e	7' 10" a	6' 1" a	4' 1" a	10' 2" e	7' 7" e	5' 1" e	7' 10" a	6' 1" a	4' 1" a
1000S162-54	50	12' 9" e	11' 1" e	9' 0" e	12' 2" a	9' 11" a	7' 4" a	12' 9" e	11' 1" e	9' 0" e	12' 2" a	9' 11" a	7' 4" a
1000S200-54	50	13' 9" e	11' 11" e	9' 8" e	12' 8" a	10' 3" a	7' 6" a	13' 9" e	11' 11" e	9' 8" e	12' 8" a	10' 3" a	7' 6" a
1000S250-54	50	14' 1" e	12' 3" e	10' 0" e	12' 10" a	10' 5" a	7' 7" a	14' 1" e	12' 3" e	10' 0" e	12' 10" a	10' 5" a	7' 7" a
1000S162-68	50	15' 1"	13' 1" e	10' 8" e	15' 1" i	13' 1" i	10' 8" a	14' 8" i	13' 1" e	10' 8" e	15' 1" i	13' 1" i	10' 8" a
1000S200-68	50	16' 2" e	14' 0" e	11' 5" e	16' 2" i	14' 0" a	11' 5" a	15' 4" i	13' 11" e	11' 5" e	16' 2" i	14' 0" a	11' 5" a
1000S250-68	50	16' 7" e	14' 4" e	11' 9" e	16' 7" i	14' 4" a	11' 7" a	16' 0" e	14' 4" e	11' 9" e	16' 7" i	14' 4" a	11' 7" a
1000S162-97	50	18' 1"	16' 5"	13' 8" e	19' 4" i	16' 9" i	13' 8" i	16' 5" i	14' 11" i	13' 1" i	18' 6" i	16' 9" i	13' 8" i
1000S200-97	50	18' 11"	17' 2"	14' 7" e	20' 7" i	17' 10" i	14' 7" i	17' 2" i	15' 7" i	13' 8" i	19' 3" i	17' 6" i	14' 7" i
1000S250-97	50	19' 8"	17' 11"	15' 7" e	22' 0" i	19' 1" i	15' 7" i	17' 11" i	16' 3" i	14' 2" i	20' 1" i	18' 3" i	15' 7" i
1000S162-118	50	19' 2"	17' 5"	15' 3" e	21' 6" i	19' 1" i	15' 7" i	17' 5" i	15' 10" i	13' 10" i	19' 7" i	17' 9" i	15' 6" i
1000S200-118	50	20' 1"	18' 3"	15' 11" e	22' 6" i	20' 3" i	16' 7" i	18' 3" i	16' 7" i	14' 6" i	20' 5" i	18' 7" i	16' 3" i
1000S250-118	50	20' 11"	19' 0"	16' 7" e	23' 5" i	21' 4" i	18' 0" i	19' 0" i	17' 3" i	15' 1" i	21' 4" i	19' 4" i	16' 11" i

See Allowable Floor Joist Span Table Notes on page 58.

Floor Joist Span Tables

40 psf Dead Load and 125 psf Live Load

Member	Fy (ksi)	Live Load Deflection L/360						Live Load Deflection L/480					
		Single Span			Two Equal Spans			Single Span			Two Equal Spans		
		Spacing (in) o.c.			Spacing (in) o.c.			Spacing (in) o.c.			Spacing (in) o.c.		
		12	16	24	12	16	24	12	16	24	12	16	24
1200S162-54	50	13' 9" e	11' 11" e	8' 4" e	11' 7" a	9' 4" a	6' 8" a	13' 9" e	11' 11" e	8' 4" e	11' 7" a	9' 4" a	6' 8" a
1200S200-54	50	14' 11" e	12' 6" e	8' 4" e	12' 1" a	9' 8" a	6' 8" a	14' 11" e	12' 6" e	8' 4" e	12' 1" a	9' 8" a	6' 8" a
1200S250-54	50	15' 4" e	12' 6" e	8' 4" e	12' 3" a	9' 9" a	6' 8" a	15' 4" e	12' 6" e	8' 4" e	12' 3" a	9' 9" a	6' 8" a
1200S162-68	50	16' 4" e	14' 2" e	11' 7" e	16' 4" i	14' 1" a	10' 7" a	16' 4" e	14' 2" e	11' 7" e	16' 4" i	14' 1" a	10' 7" a
1200S200-68	50	17' 7" e	15' 3" e	12' 5" e	17' 7" i	14' 9" a	11' 1" a	17' 7" e	15' 3" e	12' 5" e	17' 7" i	14' 9" a	11' 1" a
1200S250-68	50	18' 2" e	15' 9" e	12' 10" e	18' 2" a	15' 1" a	11' 3" a	18' 2" e	15' 9" e	12' 10" e	18' 2" a	15' 1" a	11' 3" a
1200S162-97	50	21' 1" e	18' 4" e	15' 0" e	21' 3" i	18' 4" i	15' 0" i	19' 2" e	17' 5" e	15' 0" e	21' 3" i	18' 4" i	15' 0" i
1200S200-97	50	21' 11" e	19' 7" e	16' 0" e	22' 8" i	19' 7" i	16' 0" i	19' 11" e	18' 1" e	15' 10" e	22' 4" i	19' 7" i	16' 0" i
1200S250-97	50	22' 9" e	20' 3" e	16' 7" e	23' 5" i	20' 3" i	16' 7" i	20' 8" e	18' 10" e	16' 5" e	23' 3" i	20' 3" i	16' 7" i
1200S162-118	50	22' 5" e	20' 4" e	17' 3" e	24' 5" i	21' 2" i	17' 3" i	20' 4" e	18' 6" e	16' 2" e	22' 10" i	20' 9" i	17' 3" i
1200S200-118	50	23' 4" e	21' 2" e	18' 4" e	26' 0" i	22' 6" i	18' 4" i	21' 2" e	19' 3" e	16' 10" e	23' 10" i	21' 8" i	18' 4" i
1200S250-118	50	24' 3" e	22' 0" e	19' 0" e	26' 10" i	23' 3" i	19' 0" i	22' 0" e	20' 0" e	17' 6" e	24' 9" i	22' 6" i	19' 0" i
1200S300-118	50	25' 0" e	22' 9" e	19' 10" e	28' 1" i	24' 9" i	20' 2" i	22' 9" e	20' 8" e	18' 0" e	25' 6" i	23' 2" i	20' 2" i
1200S350-118	50	26' 4" e	23' 11" e	20' 10" e	29' 6" i	26' 10" i	22' 0" i	23' 11" e	21' 8" e	19' 0" e	26' 10" i	24' 4" i	21' 3" i
1400S200-54	50	14' 3" e	10' 8" e	7' 2" e	11' 3" a	8' 7" a	5' 8" a	14' 3" e	10' 8" e	7' 2" e	11' 3" a	8' 7" a	5' 8" a
1400S250-54	50	14' 3" e	10' 8" e	7' 2" e	11' 5" a	8' 7" a	5' 8" a	14' 3" e	10' 8" e	7' 2" e	11' 5" a	8' 7" a	5' 8" a
1400S300-54	50	14' 3" e	10' 8" e	7' 2" e	11' 5" a	8' 7" a	5' 8" a	14' 3" e	10' 8" e	7' 2" e	11' 5" a	8' 7" a	5' 8" a
1400S350-54	50	14' 3" e	10' 8" e	7' 2" e	11' 5" a	8' 7" a	5' 8" a	14' 3" e	10' 8" e	7' 2" e	11' 5" a	8' 7" a	5' 8" a
1400S200-68	50	18' 9" e	16' 3" e	13' 3" e	17' 8" a	14' 4" a	10' 7" a	18' 9" e	16' 3" e	13' 3" e	17' 8" a	14' 4" a	10' 7" a
1400S250-68	50	19' 6" e	16' 10" e	13' 9" e	18' 0" a	14' 7" a	10' 9" a	19' 6" e	16' 10" e	13' 9" e	18' 0" a	14' 7" a	10' 9" a
1400S300-68	50	19' 11" e	17' 3" e	14' 1" e	18' 3" a	14' 9" a	10' 10" a	19' 11" e	17' 3" e	14' 1" e	18' 3" a	14' 9" a	10' 10" a
1400S350-68	50	22' 3" e	19' 3" e	14' 4" e	19' 4" a	15' 7" a	11' 4" a	22' 3" e	19' 3" e	14' 4" e	19' 4" a	15' 7" a	11' 4" a
1400S200-97	50	24' 5" e	21' 1" e	17' 3" e	24' 5" i	21' 1" i	17' 3" a	22' 6" e	20' 6" e	17' 3" e	24' 5" i	21' 1" i	17' 3" a
1400S250-97	50	25' 3" e	21' 11" e	17' 10" e	25' 3" i	21' 11" i	17' 10" a	23' 4" e	21' 3" e	17' 10" e	25' 3" i	21' 11" i	17' 10" a
1400S300-97	50	25' 10" e	22' 5" e	18' 3" e	25' 10" i	22' 5" i	18' 3" a	24' 1" e	21' 11" e	18' 3" e	25' 10" i	22' 5" i	18' 3" a
1400S350-97	50	28' 0" e	24' 8" e	20' 2" e	28' 6" i	24' 8" i	20' 2" a	25' 5" e	23' 1" e	20' 2" e	28' 6" i	24' 8" i	20' 2" a
1400S200-118	50	26' 7" e	24' 1" e	19' 11" e	28' 1" i	24' 4" i	19' 11" i	24' 1" e	21' 11" e	19' 2" e	27' 1" i	24' 4" i	19' 11" i
1400S250-118	50	27' 6" e	25' 0" e	20' 7" e	29' 2" i	25' 3" i	20' 7" i	25' 0" e	22' 8" e	19' 10" e	28' 1" i	25' 3" i	20' 7" i
1400S300-118	50	28' 5" e	25' 10" e	21' 2" e	29' 11" i	25' 10" i	21' 2" i	25' 10" e	23' 5" e	20' 6" e	29' 0" i	25' 10" i	21' 2" i
1400S350-118	50	29' 9" e	27' 0" e	23' 7" e	33' 5" i	29' 3" i	23' 11" a	27' 0" e	24' 7" e	21' 5" e	30' 4" i	27' 7" i	23' 11" a
1600S200-68	50	19' 9" e	17' 1" e	12' 6" e	17' 0" a	13' 8" a	9' 11" a	19' 9" e	17' 1" e	12' 6" e	17' 0" a	13' 8" a	9' 11" a
1600S250-68	50	20' 7" e	17' 10" e	12' 6" e	17' 4" a	13' 11" a	10' 0" a	20' 7" e	17' 10" e	12' 6" e	17' 4" a	13' 11" a	10' 0" a
1600S300-68	50	21' 2" e	18' 4" e	12' 6" e	17' 7" a	14' 1" a	10' 0" a	21' 2" e	18' 4" e	12' 6" e	17' 7" a	14' 1" a	10' 0" a
1600S350-68	50	23' 8" e	18' 9" e	12' 6" e	18' 7" a	14' 9" a	10' 0" a	23' 8" e	18' 9" e	12' 6" e	18' 7" a	14' 9" a	10' 0" a
1600S200-97	50	25' 10" e	22' 4" e	18' 3" e	25' 10" i	22' 4" i	18' 3" a	25' 1" e	22' 4" e	18' 3" e	25' 10" i	22' 4" i	18' 3" a
1600S250-97	50	26' 10" e	23' 3" e	19' 0" e	26' 10" i	23' 3" i	19' 0" a	25' 11" e	23' 3" e	19' 0" e	26' 10" i	23' 3" i	19' 0" a
1600S300-97	50	27' 7" e	23' 11" e	19' 6" e	27' 7" i	23' 11" i	19' 6" a	26' 9" e	23' 11" e	19' 6" e	27' 7" i	23' 11" i	19' 6" a
1600S350-97	50	30' 6" e	26' 5" e	21' 7" e	30' 6" i	26' 5" a	21' 2" a	28' 0" e	25' 5" e	21' 7" e	30' 6" i	26' 5" a	21' 2" a
1600S200-118	50	29' 7" e	25' 11" e	21' 2" e	29' 11" i	25' 11" i	21' 2" i	26' 11" e	24' 5" e	21' 2" e	29' 11" i	25' 11" i	21' 2" i
1600S250-118	50	30' 7" e	27' 0" e	22' 0" e	31' 2" i	27' 0" i	22' 0" i	27' 10" e	25' 3" e	22' 0" e	31' 2" i	27' 0" i	22' 0" i
1600S300-118	50	31' 7" e	27' 9" e	22' 8" e	32' 0" i	27' 9" i	22' 8" i	28' 8" e	26' 1" e	22' 8" e	32' 0" i	27' 9" i	22' 8" i
1600S350-118	50	33' 0" e	30' 0" e	24' 10" e	35' 1" i	30' 5" i	24' 10" a	30' 0" e	27' 3" e	23' 9" e	33' 8" i	30' 5" i	24' 10" a

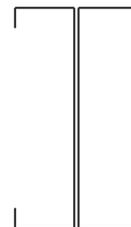
See Allowable Floor Joist Span Table Notes on page 58.

Header Load Table Notes

1. Calculated properties are based on AISI S100-16, "North American Specification for Design of Cold-Formed Steel Structural Members."
2. Allowable deflection limit is $L/360$.
3. Allowable capacities have not been modified for wind or earthquake loading.
4. Headers are made from two "boxed" or back-to-back members.
4. Allowable moment, shear, and web crippling capacities are based on twice the capacity of a single member. The moment of inertia is based on twice the value of the single member.
5. Minimum bearing length for web crippling = 1-inch
6. Capacities are calculated for unpunched members only.
7. Members are assumed adequately braced for bending.
8. Allowable loads are for simply supported headers with uniform bending loads only.
9. "e" Web stiffeners are required at each support.



Boxed Header



Back-to-Back "I" Header

Header Load Tables

Header Allowable Uniform Loads (lb/ft)								
Member	Yield, F_y , ksi	SPAN						
		3 (ft)	4 (ft)	5 (ft)	6 (ft)	8 (ft)	10 (ft)	12 (ft)
550S162-33	33	931 e	699 e	539 e	375 e	211 e	127 e	74 e
550S162-43	33	2067 e	1232 e	789 e	548 e	308 e	165 e	95 e
550S162-54	33	2779 e	1563 e	1001 e	695 e	391 e	203 e	118
550S162-54	50	3979 e	2238 e	1433 e	941 e	397 e	203	118
550S162-68	33	3514 e	1977 e	1265 e	879 e	489 e	250 e	145
550S162-68	50	5176 e	2912 e	1863 e	1158 e	489 e	250	145
600S137-33	33	851 e	638 e	479 e	333 e	187 e	120 e	78 e
600S162-33	33	851 e	638 e	510 e	423 e	238 e	152 e	91 e
600S200-33	33	851 e	638 e	510 e	425 e	256 e	164 e	104 e
600S137-43	33	1887 e	1061 e	679 e	472 e	265 e	170 e	103 e
600S162-43	33	1888 e	1390 e	890 e	618 e	348 e	202 e	117 e
600S200-43	33	1888 e	1416 e	920 e	639 e	359 e	230 e	136 e
600S250-43	33	1888 e	1416 e	967 e	672 e	378 e	242 e	156 e
600S137-54	33	2436 e	1370 e	877 e	609 e	343 e	219 e	127
600S137-54	50	3446 e	1938 e	1241 e	862 e	430 e	220	127
600S162-54	33	3136 e	1764 e	1129 e	784 e	441 e	250 e	145 e
600S162-54	50	3012 e	1694 e	1084 e	753 e	424 e	250 e	145
600S200-54	33	3566 e	2006 e	1284 e	891 e	501 e	290 e	168 e
600S200-54	50	3764 e	2533 e	1621 e	1126 e	567 e	290 e	168
600S250-54	33	3392 e	1908 e	1221 e	848 e	477 e	305 e	193 e
600S250-54	50	3764 e	2667 e	1707 e	1185 e	643 e	329 e	190
600S137-68	33	3563 e	2004 e	1283 e	891 e	501 e	270 e	157
600S137-68	50	4570 e	2570 e	1645 e	1142 e	528 e	270	157
600S162-68	33	3969 e	2232 e	1429 e	992 e	558 e	308 e	178
600S162-68	50	5847 e	3289 e	2105 e	1426 e	602 e	308	178
600S200-68	33	4507 e	2535 e	1622 e	1127 e	634 e	358 e	207 e
600S200-68	50	6476 e	3642 e	2331 e	1619 e	700 e	358	207
600S250-68	33	4862 e	2735 e	1750 e	1216 e	684 e	413 e	239 e
600S250-68	50	6147 e	3458 e	2213 e	1537 e	806 e	413 e	239
600S137-97	33	5108 e	2873 e	1839 e	1277 e	715 e	366	212
600S137-97	50	7526 e	4233 e	2709 e	1695 e	715	366	212
600S162-97	33	5684 e	3198 e	2046 e	1421 e	799 e	419	243
600S162-97	50	8404 e	4728 e	3026 e	1942 e	819	419	243
600S200-97	33	6443 e	3624 e	2319 e	1611 e	906 e	491 e	284
600S200-97	50	9560 e	5378 e	3442 e	2271 e	958 e	491	284
600S250-97	33	7231 e	4068 e	2603 e	1808 e	1017 e	568 e	329
600S250-97	50	10279 e	5782 e	3700 e	2570 e	1109 e	568	329
600S162-118	33	6936 e	3902 e	2497 e	1734 e	965 e	494	286
600S162-118	50	10213 e	5745 e	3677 e	2288 e	965	494	286
600S200-118	33	7859 e	4421 e	2829 e	1965 e	1105 e	581	336
600S200-118	50	11621 e	6537 e	4183 e	2688 e	1134	581	336
600S250-118	33	8827 e	4965 e	3178 e	2207 e	1241 e	674 e	390
600S250-118	50	12729 e	7160 e	4582 e	3122 e	1317 e	674	390

See Header Load Table Notes on page 72.

Header Load Tables



Header Allowable Uniform Loads (lb/ft)

Member	Yield, F_y , ksi	SPAN						
		3 (ft)	4 (ft)	5 (ft)	6 (ft)	8 (ft)	10 (ft)	12 (ft)
800S137-33	33	632 e	474 e	379 e	316 e	237 e	164 e	114 e
800S162-33	33	632 e	474 e	379 e	316 e	237 e	187 e	130 e
800S200-33	33	632 e	474 e	379 e	316 e	237 e	190 e	149 e
800S137-43	33	1402 e	1051 e	841 e	656 e	369 e	236 e	164 e
800S162-43	33	1402 e	1051 e	841 e	701 e	420 e	269 e	186 e
800S200-43	33	1402 e	1051 e	841 e	701 e	526 e	341 e	237 e
800S250-43	33	1402 e	1051 e	841 e	701 e	526 e	346 e	240 e
800S137-54	33	2788 e	1941 e	1242 e	863 e	485 e	311 e	216 e
800S137-54	50	2788 e	2091 e	1673 e	1201 e	676 e	432 e	252 e
800S162-54	33	2788 e	2091 e	1406 e	976 e	549 e	351 e	244 e
800S162-54	50	2788 e	2091 e	1673 e	1363 e	767 e	489 e	283 e
800S200-54	33	2788 e	2091 e	1673 e	1324 e	745 e	477 e	331 e
800S200-54	50	2788 e	2091 e	1673 e	1394 e	935 e	574 e	332 e
800S250-54	33	2788 e	2091 e	1673 e	1253 e	705 e	451 e	313 e
800S250-54	50	2788 e	2091 e	1673 e	1394 e	951 e	609 e	373 e
800S137-68	33	4511 e	2538 e	1624 e	1128 e	634 e	406 e	282 e
800S137-68	50	5628 e	3664 e	2345 e	1628 e	916 e	549 e	318 e
800S162-68	33	5085 e	2860 e	1831 e	1271 e	715 e	458 e	318 e
800S162-68	50	5628 e	4150 e	2656 e	1845 e	1038 e	618 e	358 e
800S200-68	33	5628 e	3774 e	2415 e	1677 e	944 e	604 e	412 e
800S200-68	50	5628 e	4221 e	3377 e	2415 e	1359 e	712 e	412 e
800S250-68	33	5628 e	4028 e	2578 e	1790 e	1007 e	644 e	448 e
800S250-68	50	5628 e	4221 e	3288 e	2283 e	1284 e	808 e	467 e
800S137-97	33	7865 e	4424 e	2831 e	1966 e	1106 e	708 e	435 e
800S137-97	50	9535 e	5363 e	3432 e	2384 e	1341 e	752 e	435 e
800S162-97	33	8633 e	4856 e	3108 e	2158 e	1214 e	777 e	491 e
800S162-97	50	10772 e	6059 e	3878 e	2693 e	1515 e	849 e	491 e
800S200-97	33	9647 e	5427 e	3473 e	2412 e	1357 e	868 e	567 e
800S200-97	50	14316 e	8052 e	5154 e	3579 e	1913 e	979 e	567 e
800S250-97	33	10677 e	6006 e	3844 e	2669 e	1501 e	961 e	647 e
800S250-97	50	14514 e	8558 e	5477 e	3804 e	2140 e	1118 e	647 e
800S162-118	33	10588 e	5956 e	3812 e	2647 e	1489 e	953 e	582 e
800S162-118	50	15590 e	8769 e	5612 e	3897 e	1964 e	1006 e	582 e
800S200-118	33	11819 e	6648 e	4255 e	2955 e	1662 e	1064 e	674 e
800S200-118	50	17474 e	9829 e	6291 e	4369 e	2273 e	1164 e	674 e
800S250-118	33	13083 e	7359 e	4710 e	3271 e	1840 e	1177 e	771 e
800S250-118	50	18890 e	10626 e	6801 e	4723 e	2602 e	1332 e	771 e
1000S137-43	33	1115 e	836 e	669 e	557 e	418 e	302 e	210 e
1000S162-43	33	1115 e	836 e	669 e	557 e	418 e	334 e	238 e
1000S200-43	33	1115 e	836 e	669 e	557 e	418 e	334 e	269 e
1000S250-43	33	1115 e	836 e	669 e	557 e	418 e	334 e	279 e
1000S137-54	33	2214 e	1661 e	1329 e	1107 e	628 e	402 e	279 e
1000S137-54	50	2214 e	1661 e	1329 e	1107 e	830 e	554 e	385 e
1000S162-54	33	2214 e	1661 e	1329 e	1107 e	709 e	454 e	315 e
1000S162-54	50	2214 e	1661 e	1329 e	1107 e	830 e	628 e	436 e
1000S200-54	33	2214 e	1661 e	1329 e	1107 e	817 e	523 e	363 e
1000S200-54	50	2214 e	1661 e	1329 e	1107 e	830 e	664 e	473 e
1000S250-54	33	2214 e	1661 e	1329 e	1107 e	830 e	600 e	417 e
1000S250-54	50	2214 e	1661 e	1329 e	1107 e	830 e	664 e	521 e
1000S137-68	33	4460 e	3341 e	2138 e	1485 e	835 e	535 e	371 e
1000S137-68	50	4460 e	3345 e	2676 e	2116 e	1190 e	762 e	529 e
1000S162-68	33	4460 e	3345 e	2399 e	1666 e	937 e	600 e	416 e
1000S162-68	50	4460 e	3345 e	2676 e	2230 e	1344 e	860 e	597 e
1000S200-68	33	4460 e	3345 e	2676 e	1908 e	1073 e	687 e	477 e
1000S200-68	50	4460 e	3345 e	2676 e	2230 e	1510 e	966 e	671 e
1000S250-68	33	4460 e	3345 e	2676 e	2230 e	1374 e	879 e	610 e
1000S250-68	50	4460 e	3345 e	2676 e	2230 e	1673 e	1105 e	768 e
1000S137-97	33	8896 e	5004 e	3202 e	2224 e	1251 e	801 e	556 e
1000S137-97	50	12938 e	7278 e	4658 e	3234 e	1819 e	1164 e	769 e
1000S162-97	33	9935 e	5588 e	3576 e	2484 e	1397 e	894 e	621 e
1000S162-97	50	13151 e	8158 e	5221 e	3626 e	2039 e	1305 e	858 e
1000S200-97	33	11322 e	6368 e	4076 e	2830 e	1592 e	1019 e	708 e
1000S200-97	50	13151 e	9334 e	5974 e	4148 e	2333 e	1493 e	978 e
1000S250-97	33	11791 e	8201 e	5249 e	3645 e	2050 e	1312 e	911 e
1000S250-97	50	13151 e	9864 e	7500 e	5209 e	2930 e	1875 e	1104 e

See Header Load Table Notes on page 72.

Header Load Tables

Header Allowable Uniform Loads (lb/ft)

Member	Yield, F _y , ksi	SPAN						
		3 (ft)	4 (ft)	5 (ft)	6 (ft)	8 (ft)	10 (ft)	12 (ft)
1000S162-118	33	14850 e	8353 e	5346 e	3713 e	2088 e	1337 e	928 e
1000S162-118	50	17894 e	10065 e	6442 e	4473 e	2516 e	1610 e	1020 e
1000S200-118	33	16370 e	9208 e	5893 e	4093 e	2302 e	1473 e	1023 e
1000S200-118	50	20451 e	11504 e	7362 e	5113 e	2876 e	1841 e	1166 e
1000S250-118	33	17585 e	10074 e	6447 e	4477 e	2519 e	1612 e	1119 e
1000S250-118	50	21646 e	14570 e	9325 e	6476 e	3642 e	2280 e	1319 e
1200S137-54	33	1836 e	1377 e	1102 e	918 e	689 e	493 e	343 e
1200S137-54	50	1836 e	1377 e	1102 e	918 e	689 e	551 e	459 e
1200S162-54	33	1836 e	1377 e	1102 e	918 e	689 e	551 e	386 e
1200S162-54	50	1836 e	1377 e	1102 e	918 e	689 e	551 e	459 e
1200S200-54	33	1836 e	1377 e	1102 e	918 e	689 e	551 e	444 e
1200S200-54	50	1836 e	1377 e	1102 e	918 e	689 e	551 e	459 e
1200S250-54	33	1836 e	1377 e	1102 e	918 e	689 e	551 e	454 e
1200S250-54	50	1836 e	1377 e	1102 e	918 e	689 e	551 e	459 e
1200S137-68	33	3694 e	2771 e	2217 e	1843 e	1037 e	664 e	461 e
1200S137-68	50	3694 e	2771 e	2217 e	1847 e	1385 e	937 e	651 e
1200S162-68	33	3694 e	2771 e	2217 e	1847 e	1160 e	742 e	515 e
1200S162-68	50	3694 e	2771 e	2217 e	1847 e	1385 e	1056 e	733 e
1200S200-68	33	3694 e	2771 e	2217 e	1847 e	1324 e	847 e	588 e
1200S200-68	50	3694 e	2771 e	2217 e	1847 e	1385 e	1108 e	821 e
1200S250-68	33	3694 e	2771 e	2217 e	1847 e	1385 e	921 e	640 e
1200S250-68	50	3694 e	2771 e	2217 e	1847 e	1385 e	1108 e	834 e
1200S137-97	33	10863 e	6421 e	4109 e	2854 e	1605 e	1027 e	713 e
1200S137-97	50	10863 e	8147 e	5854 e	4065 e	2287 e	1463 e	1016 e
1200S162-97	33	10863 e	7126 e	4561 e	3167 e	1781 e	1140 e	792 e
1200S162-97	50	10863 e	8147 e	6518 e	4537 e	2552 e	1633 e	1134 e
1200S200-97	33	10863 e	8068 e	5163 e	3586 e	2017 e	1291 e	896 e
1200S200-97	50	10863 e	8147 e	6518 e	5167 e	2907 e	1860 e	1292 e
1200S250-97	33	10863 e	8147 e	5792 e	4022 e	2263 e	1448 e	1006 e
1200S250-97	50	10863 e	8147 e	6518 e	5431 e	3142 e	2011 e	1397 e
1200S162-118	33	15685 e	8823 e	5646 e	3921 e	2206 e	1412 e	980 e
1200S162-118	50	19981 e	12896 e	8253 e	5731 e	3224 e	2063 e	1433 e
1200S200-118	33	17585 e	9976 e	6385 e	4434 e	2494 e	1596 e	1108 e
1200S200-118	50	19981 e	14634 e	9366 e	6504 e	3658 e	2341 e	1626 e
1200S250-118	33	17585 e	11178 e	7154 e	4968 e	2794 e	1788 e	1242 e
1200S250-118	50	19981 e	14986 e	10446 e	7254 e	4080 e	2611 e	1813 e
1200S300-118	33	17585 e	13189 e	8841 e	6139 e	3453 e	2210 e	1535 e
1200S300-118	50	19981 e	14986 e	11988 e	9025 e	5076 e	3249 e	2256 e
1200S350-118	33	17585 e	13189 e	10279 e	7139 e	4015 e	2570 e	1785 e
1200S350-118	50	19981 e	14986 e	11988 e	9990 e	5710 e	3654 e	2538 e
1400S200-54	33	1569 e	1177 e	941 e	784 e	588 e	471 e	392 e
1400S200-54	50	1569 e	1177 e	941 e	784 e	588 e	471 e	392 e
1400S250-54	33	1569 e	1177 e	941 e	784 e	588 e	471 e	392 e
1400S250-54	50	1569 e	1177 e	941 e	784 e	588 e	471 e	392 e
1400S300-54	33	1569 e	1177 e	941 e	784 e	588 e	471 e	392 e
1400S300-54	50	1569 e	1177 e	941 e	784 e	588 e	471 e	392 e
1400S350-54	33	1569 e	1177 e	941 e	784 e	588 e	471 e	392 e
1400S350-54	50	1569 e	1177 e	941 e	784 e	588 e	471 e	392 e
1400S200-68	33	3153 e	2365 e	1892 e	1576 e	1182 e	946 e	700 e
1400S200-68	50	3153 e	2365 e	1892 e	1576 e	1182 e	946 e	788 e
1400S250-68	33	3153 e	2365 e	1892 e	1576 e	1182 e	946 e	758 e
1400S250-68	50	3153 e	2365 e	1892 e	1576 e	1182 e	946 e	788 e
1400S300-68	33	3153 e	2365 e	1892 e	1576 e	1182 e	946 e	775 e
1400S300-68	50	3153 e	2365 e	1892 e	1576 e	1182 e	946 e	788 e
1400S350-68	33	3153 e	2365 e	1892 e	1576 e	1182 e	946 e	788 e
1400S350-68	50	3153 e	2365 e	1892 e	1576 e	1182 e	946 e	788 e
1400S200-97	33	9252 e	6939 e	5551 e	4331 e	2436 e	1559 e	1083 e
1400S200-97	50	9252 e	6939 e	5551 e	4626 e	3470 e	2228 e	1547 e
1400S250-97	33	9252 e	6939 e	5551 e	4626 e	2722 e	1742 e	1210 e
1400S250-97	50	9252 e	6939 e	5551 e	4626 e	3470 e	2399 e	1666 e

See Header Load Table Notes on page 72.

Header Load Tables



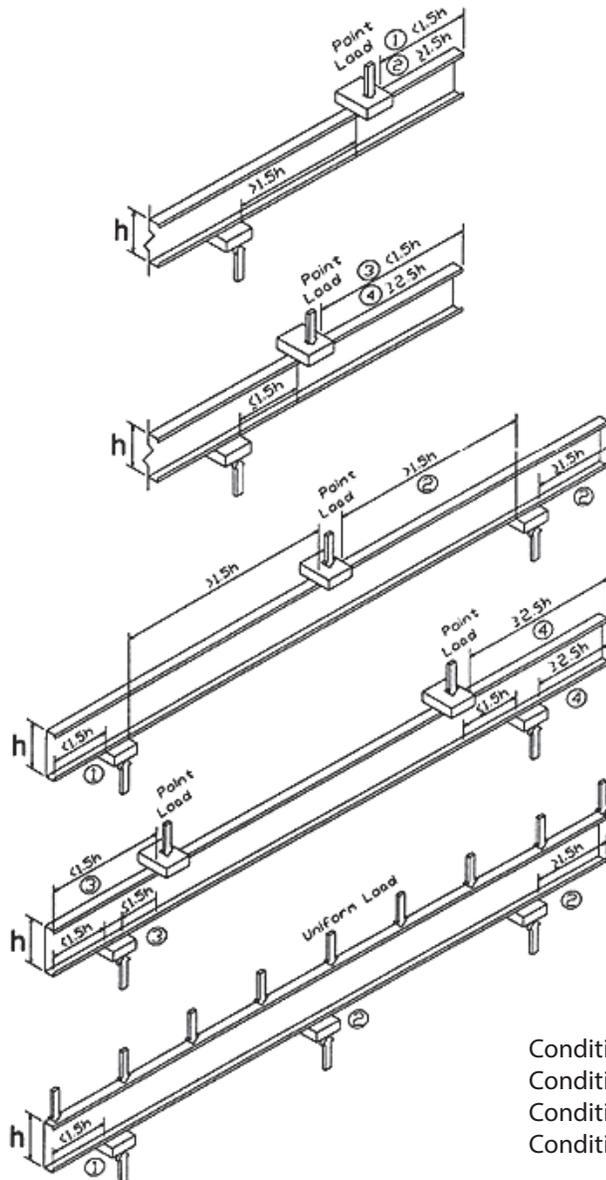
Header Allowable Uniform Loads (lb/ft)								
Member	Yield, F _y , ksi	SPAN						
		3 (ft)	4 (ft)	5 (ft)	6 (ft)	8 (ft)	10 (ft)	12 (ft)
1400S300-97	33	9252 e	6939 e	5551 e	4626 e	2896 e	1854 e	1287 e
1400S300-97	50	9252 e	6939 e	5551 e	4626 e	3470 e	2544 e	1767 e
1400S350-97	33	9252 e	6939 e	5551 e	4626 e	3470 e	2548 e	1769 e
1400S350-97	50	9252 e	6939 e	5551 e	4626 e	3470 e	2776 e	2270 e
1400S200-118	33	16994 e	12318 e	7884 e	5475 e	3080 e	1971 e	1369 e
1400S200-118	50	16994 e	12745 e	10196 e	7870 e	4427 e	2833 e	1967 e
1400S250-118	33	16994 e	12745 e	8780 e	6097 e	3430 e	2195 e	1524 e
1400S250-118	50	16994 e	12745 e	10196 e	8497 e	4916 e	3146 e	2185 e
1400S300-118	33	16994 e	12745 e	9534 e	6621 e	3724 e	2383 e	1655 e
1400S300-118	50	16994 e	12745 e	10196 e	8497 e	5256 e	3364 e	2336 e
1400S350-118	33	16994 e	12745 e	10196 e	8497 e	4978 e	3186 e	2212 e
1400S350-118	50	16994 e	12745 e	10196 e	8497 e	6373 e	4539 e	3152 e
1600S200-68	33	2750 e	2062 e	1650 e	1375 e	1031 e	825 e	687 e
1600S200-68	50	2750 e	2062 e	1650 e	1375 e	1031 e	825 e	687 e
1600S250-68	33	2750 e	2062 e	1650 e	1375 e	1031 e	825 e	687 e
1600S250-68	50	2750 e	2062 e	1650 e	1375 e	1031 e	825 e	687 e
1600S300-68	33	2750 e	2062 e	1650 e	1375 e	1031 e	825 e	687 e
1600S300-68	50	2750 e	2062 e	1650 e	1375 e	1031 e	825 e	687 e
1600S350-68	33	2750 e	2062 e	1650 e	1375 e	1031 e	825 e	687 e
1600S350-68	50	2750 e	2062 e	1650 e	1375 e	1031 e	825 e	687 e
1600S200-97	33	8058 e	6043 e	4835 e	4029 e	2856 e	1828 e	1269 e
1600S200-97	50	8058 e	6043 e	4835 e	4029 e	3022 e	2417 e	1802 e
1600S250-97	33	8058 e	6043 e	4835 e	4029 e	3022 e	2036 e	1414 e
1600S250-97	50	8058 e	6043 e	4835 e	4029 e	3022 e	2417 e	1936 e
1600S300-97	33	8058 e	6043 e	4835 e	4029 e	3022 e	2161 e	1501 e
1600S300-97	50	8058 e	6043 e	4835 e	4029 e	3022 e	2417 e	2014 e
1600S350-97	33	8058 e	6043 e	4835 e	4029 e	3022 e	2417 e	1788 e
1600S350-97	50	8058 e	6043 e	4835 e	4029 e	3022 e	2417 e	2014 e
1600S200-118	33	14784 e	11088 e	8870 e	6484 e	3647 e	2334 e	1621 e
1600S200-118	50	14784 e	11088 e	8870 e	7392 e	5197 e	3326 e	2310 e
1600S250-118	33	14784 e	11088 e	8870 e	7193 e	4046 e	2589 e	1798 e
1600S250-118	50	14784 e	11088 e	8870 e	7392 e	5544 e	3682 e	2557 e
1600S300-118	33	14784 e	11088 e	8870 e	7392 e	4379 e	2803 e	1946 e
1600S300-118	50	14784 e	11088 e	8870 e	7392 e	5544 e	3927 e	2727 e
1600S350-118	33	14784 e	11088 e	8870 e	7392 e	5091 e	3259 e	2263 e
1600S350-118	50	14784 e	11088 e	8870 e	7392 e	5544 e	4435 e	3134 e

See Header Load Table Notes on page 72.

Web Crippling Load Table Notes

1. All capacities listed are calculated using AISI S100-16.
2. Web crippling capacities calculated are for studs with stiffened or partially stiffened flanges.
3. Tabulated web crippling capacities are for single members only. For multiple members, multiply the tabulated values by number of members in the assembly.
4. Listed allowable capacities are based on members 'fastened to supports', except back-to-back members under two-flange loading (condition 3 and 4) for which data for 'fastened to support' is unavailable in the AISI S100-16.
5. Listed allowable capacities are for unpunched webs. Capacity reduction for end and interior one flange loading (conditions 1 and 2) near punchouts may be required per Section G6 of S100.

Web Crippling Conditions



- Condition 1: End One-Flange Reaction
- Condition 2: Interior One-Flange Reaction
- Condition 3: End Two-Flange Reaction
- Condition 4: Interior Two-Flange Reaction

Web Crippling Load Tables



Allowable Web Crippling Loads (lbs) - Single Members

Member	Design Thickness	Inside Radius	Yield Str	Condition 1				Condition 2				Condition 3				Condition 4			
				1	3.5	4	6	1	3.5	4	6	1	3.5	4	6	1	3.5	4	6
162S - 18	0.0188	0.0843	33	55	90 ¹	95 ^{1,2}	112 ^{1,2}	87	125 ¹	131 ^{1,2}	151 ^{1,2}	45	64 ¹	67 ^{1,2}	76 ^{1,2}	122	161 ¹	166 ^{1,2}	186 ^{1,2}
162S - 27	0.0283	0.0796	33	122	194 ¹	205 ¹	242 ^{1,2}	218	304 ¹	317 ¹	361 ^{1,2}	111	151 ¹	157 ¹	178 ^{1,2}	290	371 ¹	383 ¹	425 ^{1,2}
162S - 30	0.0312	0.0781	33	148	233 ¹	246 ¹	290 ¹	269	373 ¹	388 ¹	442 ¹	137	185 ¹	192 ¹	217 ¹	356	452 ¹	466 ¹	516 ¹
162S - 33	0.0346	0.0764	33	180	282 ¹	297 ¹	350 ¹	336	462 ¹	481 ¹	546 ¹	170	229 ¹	237 ¹	267 ¹	441	557 ¹	574 ¹	634 ¹
162S - 43	0.0451	0.0712	33	298	459 ¹	483 ¹	566 ¹	589	793 ¹	823 ¹	929 ¹	297	390 ¹	404 ¹	452 ¹	764	946 ¹	973 ¹	1067 ¹
162S - 54	0.0566	0.0849	33	447	678 ¹	712 ¹	832 ¹	904	1196 ¹	1239 ¹	1390 ¹	471	609 ¹	629 ¹	700 ¹	1203	1466 ¹	1506 ¹	1642 ¹
162S - 54	0.0566	0.0849	50	677	1027 ¹	1079 ¹	1260 ¹	1370	1812 ¹	1877 ¹	2105 ¹	714	922 ¹	953 ¹	1061 ¹	1823	2222 ¹	2281 ¹	2487 ¹
162S - 68	0.0713	0.1069	33	672	1004 ¹	1054 ¹	1225 ¹	1386	1802 ¹	1863 ¹	2077 ¹	750	952 ¹	982 ¹	1087 ¹	1901	2282 ¹	2339 ¹	2536 ¹
162S - 68	0.0713	0.1069	50	1019	1522 ¹	1596 ¹	1856 ¹	2100	2730 ¹	2823 ¹	3148 ¹	1136	1443 ¹	1488 ¹	1646 ¹	2880	3458 ¹	3544 ¹	3842 ¹
250S - 18	0.0188	0.0843	33	52	84	89 ²	106 ^{1,2}	85	122	128 ²	147 ^{1,2}	37	51	54 ²	61 ^{1,2}	109	145	150 ²	168 ^{1,2}
250S - 27	0.0283	0.0796	33	117	186	196	231 ^{1,2}	213	298	310	354 ^{1,2}	96	130	135	153 ^{1,2}	268	343	354	393 ^{1,2}
250S - 30	0.0312	0.0781	33	141	223	235	277 ¹	264	366	381	433 ¹	119	161	167	189 ¹	330	420	433	479 ¹
250S - 33	0.0346	0.0764	33	173	271	285	336 ¹	330	453	472	535 ¹	150	201	209	235 ¹	411	519	535	591 ¹
250S - 43	0.0451	0.0712	33	287	443	466	547 ¹	580	780	810	913 ¹	267	351	364	407 ¹	720	892	918	1006 ¹
250S - 54	0.0566	0.0849	33	433	657	690	806 ¹	891	1178	1221	1369 ¹	430	556	574	639 ¹	1142	1392	1429	1558 ¹
250S - 54	0.0566	0.0849	50	656	996	1046	1222 ¹	1350	1785	1850	2075 ¹	652	842	870	968 ¹	1730	2109	2165	2361 ¹
250S - 68	0.0713	0.1069	33	654	977	1024	1191 ¹	1368	1778	1839	2050 ¹	693	880	907	1004 ¹	1815	2179	2233	2421 ¹
250S - 68	0.0713	0.1069	50	990	1480	1552	1805 ¹	2073	2694	2786	3106 ¹	1049	1333	1375	1521 ¹	2750	3302	3384	3669 ¹
350S - 18	0.0188	0.0843	33	49	80	84 ²	100 ²	83	119	124 ²	143 ²	28	40	42 ²	48 ²	98	130	134 ²	151 ²
350S - 27	0.0283	0.0796	33	112	177	187	221 ²	209	292	304	347 ²	81	111	115	130 ²	247	316	327	362 ²
350S - 30	0.0312	0.0781	33	135	214	226	266	259	359	374	425	103	139	144	163	306	389	402	445
350S - 33	0.0346	0.0764	33	166	260	274	323	324	445	463	526	131	175	182	205	384	484	499	551
350S - 43	0.0451	0.0712	33	278	428	451	528	571	768	798	900	240	315	326	365	680	842	866	949
350S - 54	0.0566	0.0849	33	420	638	670	783	879	1162	1204	1351	392	507	524	583	1086	1324	1359	1482
350S - 54	0.0566	0.0849	50	637	967	1016	1186	1331	1761	1825	2046	594	768	794	883	1645	2005	2059	2245
350S - 68	0.0713	0.1069	33	637	951	998	1160	1351	1756	1816	2025	640	813	839	928	1737	2085	2137	2317
350S - 68	0.0713	0.1069	50	965	1441	1512	1758	2047	2661	2752	3068	970	1232	1271	1406	2631	3159	3238	3510
350S - 97	0.1017	0.1525	33	1209	1760	1841	2126	2629	3328	3431	3792	1343	1663	1710	1876	3562	4184	4276	4597
350S - 97	0.1017	0.1525	50	1831	2666	2790	3221	3983	5042	5199	5745	2035	2520	2592	2842	5397	6339	6479	6966
362S - 18	0.0188	0.0843	33	49	79	84 ²	99 ²	82	119	124 ²	143 ²	27	39	40 ²	46 ²	97	128	133 ²	149 ²
362S - 27	0.0283	0.0796	33	111	177	186	220 ²	209	291	303	346 ²	80	108	113	127 ²	245	313	324	359 ²
362S - 30	0.0312	0.0781	33	135	213	224	265	258	358	373	424	101	136	141	160	304	386	398	441
362S - 33	0.0346	0.0764	33	165	259	273	322	323	444	462	525	129	173	179	202	381	480	495	547
362S - 43	0.0451	0.0712	33	277	427	449	526	570	767	796	898	236	311	322	360	675	836	860	943
362S - 54	0.0566	0.0849	33	419	636	668	780	877	1160	1202	1348	388	501	518	577	1079	1316	1351	1473
362S - 54	0.0566	0.0849	50	634	963	1012	1182	1329	1758	1822	2043	588	760	785	874	1635	1994	2047	2232
362S - 68	0.0713	0.1069	33	635	948	995	1157	1349	1754	1813	2022	635	806	831	920	1728	2074	2126	2305
362S - 68	0.0713	0.1069	50	962	1437	1507	1753	2044	2657	2748	3064	961	1221	1259	1393	2618	3143	3221	3492
362S - 97	0.1017	0.1525	33	1206	1755	1837	2120	2626	3324	3427	3787	1333	1651	1698	1862	3547	4166	4258	4578
362S - 97	0.1017	0.1525	50	1827	2659	2783	3212	3979	5036	5192	5738	2020	2501	2573	2821	5374	6313	6452	6936
400S - 27	0.0283	0.0796	33	109	174	183	217 ²	207	289	301	344 ²	75	102	106	120 ²	238	305	315	349 ²
400S - 30	0.0312	0.0781	33	133	210	221	261	257	356	370	421	95	129	134	151	296	376	388	429
400S - 33	0.0346	0.0764	33	163	256	269	317	322	442	460	522	122	164	170	192	372	469	483	534
400S - 43	0.0451	0.0712	33	274	422	444	520	567	763	792	893	227	299	309	346	662	819	843	924
400S - 54	0.0566	0.0849	33	415	629	661	772	873	1155	1197	1342	376	485	502	558	1061	1293	1328	1448
400S - 54	0.0566	0.0849	50	628	954	1002	1170	1323	1750	1813	2034	569	735	760	846	1607	1960	2012	2194
400S - 68	0.0713	0.1069	33	629	940	986	1147	1344	1746	1806	2014	617	784	809	895	1702	2044	2094	2271
400S - 68	0.0713	0.1069	50	953	1424	1494	1737	2036	2646	2737	3051	936	1188	1226	1356	2579	3097	3173	3441
400S - 97	0.1017	0.1525	33	1197	1742	1823	2105	2617	3312	3415	3774	1305	1616	1662	1823	3504	4116	4207	4523
400S - 97	0.1017	0.1525	50	1814	2640	2762	3189	3965	5018	5175	5718	1978	2448	2518	2761	5309	6236	6374	6853
550S - 27	0.0283	0.0796	33	103	164	173	205 ²	202	282	294	336 ²	58	79	82	93 ²	214	274	283	314 ²
550S - 30	0.0312	0.0781	33	126	199	210	248	251	348	362	412	76	103	107	120	268	341	351	389
550S - 33	0.0346	0.0764	33	155	243	256	302	315	432	450	511	100	134	139	157	339	428	441	487
550S - 43	0.0451	0.0712	33	262	405	426	499	556	749	778	877	195	256	265	297	614	760	782	858
550S - 54	0.0566	0.0849	33	400	607	638	745	859	1136	1177	1320	331	428	443	493	995	1213	1246	1358
550S - 54	0.0566	0.0849	50	606	920	966	1128	1302	1722	1784	2001	502	649	671	746	1508	1838	1887	2058
550S - 68	0.0713	0.1069	33	609	911	955	1111	1324	1721	1780	1985	557	707	729	807	1611	1934	1982	2149
550S - 68	0.0713	0.1069	50	923	1380	1447	1683	2007	2608	2697	3007	844	1071	1105	1223	2441	2931	3003	3256
550S - 97	0.1017	0.1525	33	1166	1697	1776	2050	2585	3272	3374	3728	1205	1492	1535	1683	3352	3937	4024	4326
550S - 97	0.1017	0.1525	50	1766	2571	2691	3106	3917	4957	5112	5649	1826	2261	2326	2550	5079	5966	6097	6555

Web Crippling Load Tables

Allowable Web Crippling Loads (lbs) - Single Members

Member	Design Thickness	Inside Radius	Yield Str	Condition 1				Condition 2				Condition 3				Condition 4			
				1	3.5	4	6	1	3.5	4	6	1	3.5	4	6	1	3.5	4	6
600S - 30	0.0312	0.0781	33	124	196	206	244	249	345	360	409	70	95	98	111	260	330	340	377
600S - 33	0.0346	0.0764	33	153	240	253	297	313	430	447	507	93	125	130	146	330	416	429	473
600S - 43	0.0451	0.0712	33	259	400	420	493	553	745	773	872	185	243	252	282	600	743	764	838
600S - 54	0.0566	0.0849	33	395	600	631	736	855	1131	1172	1314	318	411	425	473	975	1189	1221	1331
600S - 54	0.0566	0.0849	50	599	909	956	1116	1295	1713	1775	1991	482	623	644	716	1478	1802	1850	2017
600S - 68	0.0713	0.1069	33	604	902	946	1100	1319	1714	1772	1976	539	684	706	781	1584	1901	1949	2113
600S - 68	0.0713	0.1069	50	914	1366	1433	1666	1998	2596	2685	2994	816	1036	1069	1183	2399	2881	2952	3201
600S - 97	0.1017	0.1525	50	1752	2551	2669	3081	3902	4939	5093	5628	1781	2205	2268	2487	5010	5885	6014	6466
600S - 118	0.1242	0.1863	50	2528	3625	3788	4354	5698	7108	7318	8046	2734	3339	3429	3741	7555	8772	8952	9581
800S - 43	0.0451	0.0712	33	247	381	401	470	542	730	757	854	150	197	204	228	548	678	698	765
800S - 54	0.0566	0.0849	33	379	576	605	706	839	1110	1150	1290	270	349	361	402	904	1102	1131	1234
800S - 54	0.0566	0.0849	50	575	872	917	1070	1272	1682	1743	1955	409	529	547	608	1370	1670	1714	1869
800S - 68	0.0713	0.1069	33	582	870	912	1061	1297	1686	1744	1944	473	601	619	685	1485	1783	1827	1981
800S - 68	0.0713	0.1069	50	882	1318	1382	1607	1966	2555	2642	2946	716	910	939	1038	2250	2701	2768	3001
800S - 97	0.1017	0.1525	50	1702	2477	2592	2992	3850	4873	5025	5553	1618	2003	2060	2259	4761	5593	5716	6146
800S - 118	0.1242	0.1863	50	2462	3531	3689	4241	5629	7023	7229	7949	2518	3075	3158	3445	7223	8387	8559	9160
1000S - 54	0.0566	0.0849	33	365	554	582	680	826	1092	1132	1269	228	295	305	339	841	1026	1053	1148
1000S - 54	0.0566	0.0849	50	553	840	882	1031	1251	1655	1715	1923	346	447	462	514	1275	1554	1595	1740
1000S - 68	0.0713	0.1069	33	563	842	883	1027	1279	1662	1719	1917	415	527	544	602	1398	1679	1721	1866
1000S - 68	0.0713	0.1069	50	854	1275	1338	1556	1938	2518	2604	2904	629	799	824	912	2119	2544	2607	2827
1000S - 97	0.1017	0.1525	50	1657	2413	2525	2914	3805	4816	4966	5488	1476	1827	1879	2060	4545	5338	5456	5866
1000S - 118	0.1242	0.1863	50	2405	3449	3604	4143	5569	6948	7152	7864	2330	2845	2921	3187	6934	8051	8217	8794
1200S - 68	0.0713	0.1069	33	547	817	857	996	1262	1641	1697	1892	363	462	476	527	1320	1585	1625	1762
1200S - 68	0.0713	0.1069	50	828	1237	1298	1509	1913	2486	2571	2866	551	699	721	798	2001	2402	2462	2669
1200S - 97	0.1017	0.1525	50	1618	2355	2464	2844	3764	4764	4912	5429	1348	1668	1716	1882	4350	5109	5222	5614
1200S - 118	0.1242	0.1863	50	2354	3375	3527	4054	5515	6881	7083	7788	2161	2638	2709	2956	6675	7750	7910	8465
1400S - 68	0.0713	0.1069	33	531	793	832	968	1247	1621	1676	1869	316	401	414	458	1249	1500	1537	1666
1400S - 68	0.0713	0.1069	50	805	1202	1261	1466	1890	2456	2540	2832	479	608	627	694	1892	2272	2329	2525
1400S - 97	0.1017	0.1525	50	1581	2302	2408	2780	3727	4717	4864	5375	1230	1523	1567	1718	4171	4900	5008	5384
1400S - 118	0.1242	0.1863	50	2307	3308	3456	3973	5466	6819	7020	7719	2006	2449	2515	2744	6437	7474	7628	8164
1600S - 97	0.1017	0.1525	50	1547	2252	2357	2721	3692	4673	4818	5325	1121	1388	1428	1566	4005	4705	4809	5170
1600S - 118	0.1242	0.1863	50	2263	3245	3391	3898	5420	6762	6961	7654	1862	2274	2335	2548	6217	7219	7367	7884

¹ Bearing length to web height ratio, N/h, exceeds limit of 2.0

² Bearing length to thickness ratio, N/t, exceeds limit of 210

See Web Crippling Load Table Notes page 77.

Web Crippling Load Tables



Allowable Web Crippling Loads (lbs) - Back-to-Back Members

Member	Design Thickness	Inside Radius	Yield Str	Condition 1				Condition 2				Condition 3				Condition 4			
				1	3.5	4	6	1	3.5	4	6	1	3.5	4	6	1	3.5	4	6
162S - 18	0.0188	0.0843	33	124	196	207	244	156	217	226	257	76	100	103	116	153	202	209	234
162S - 27	0.0283	0.0796	33	268	413	435	510	363	489	507	572	184	236	244	270	386	494	510	566
162S - 30	0.0312	0.0781	33	321	493	518	606	443	592	614	690	227	288	298	329	478	608	628	695
162S - 33	0.0346	0.0764	33	389	593	623	729	547	724	750	842	283	357	368	406	600	757	781	862
162S - 43	0.0451	0.0712	33	638	953	1000	1163	933	1211	1252	1395	494	612	629	690	1066	1320	1358	1489
162S - 54	0.0566	0.0849	33	949	1395	1462	1692	1427	1820	1878	2081	784	956	982	1071	1696	2068	2123	2315
162S - 54	0.0566	0.0849	50	1438	2114	2215	2564	2162	2757	2846	3153	1188	1449	1488	1622	2570	3134	3217	3508
162S - 68	0.0713	0.1069	33	1418	2050	2144	2470	2188	2744	2826	3113	1250	1501	1538	1667	2703	3246	3326	3606
162S - 68	0.0713	0.1069	50	2148	3106	3248	3742	3315	4157	4282	4717	1894	2274	2330	2526	4096	4918	5040	5464
250S - 18	0.0188	0.0843	33	123	196	206	244	156	216	225	256	65	85	88	99	131	172	179	200
250S - 27	0.0283	0.0796	33	267	412	434	509	363	488	506	571	164	211	217	241	344	441	455	505
250S - 30	0.0312	0.0781	33	320	492	517	605	443	590	612	689	204	260	268	296	430	547	564	625
250S - 33	0.0346	0.0764	33	389	592	622	727	546	723	749	840	256	323	333	368	544	686	708	781
250S - 43	0.0451	0.0712	33	637	952	999	1162	932	1209	1250	1393	455	563	580	636	982	1216	1251	1371
250S - 54	0.0566	0.0849	33	947	1393	1460	1690	1425	1817	1876	2078	730	890	914	997	1579	1925	1977	2155
250S - 54	0.0566	0.0849	50	1435	2111	2212	2560	2159	2753	2842	3149	1106	1349	1385	1510	2393	2917	2995	3266
250S - 68	0.0713	0.1069	33	1416	2047	2141	2467	2185	2740	2823	3109	1174	1409	1444	1566	2539	3048	3124	3387
250S - 68	0.0713	0.1069	50	2145	3102	3244	3737	3311	4152	4277	4711	1778	2135	2188	2373	3846	4618	4733	5131
350S - 18	0.0188	0.0843	33	123	195	206	243	156	216	225	256	55	72	75	84	110	145	151	169
350S - 27	0.0283	0.0796	33	267	412	433	508	362	487	505	570	146	187	193	214	306	391	404	448
350S - 30	0.0312	0.0781	33	320	491	516	604	442	589	611	688	183	233	240	266	386	490	506	560
350S - 33	0.0346	0.0764	33	388	591	621	726	545	721	748	839	232	292	301	333	492	621	640	706
350S - 43	0.0451	0.0712	33	636	951	997	1160	931	1207	1248	1391	419	519	534	585	904	1119	1151	1263
350S - 54	0.0566	0.0849	33	946	1392	1458	1688	1423	1815	1873	2075	680	829	852	929	1471	1794	1842	2008
350S - 54	0.0566	0.0849	50	1434	2109	2209	2557	2156	2750	2838	3144	1031	1257	1290	1407	2229	2718	2791	3043
350S - 68	0.0713	0.1069	33	1414	2045	2138	2464	2183	2737	2819	3106	1104	1326	1359	1473	2388	2867	2939	3186
350S - 68	0.0713	0.1069	50	2143	3098	3240	3733	3307	4147	4272	4706	1673	2009	2059	2232	3618	4345	4452	4827
350S - 97	0.1017	0.1525	33	2641	3716	3876	4431	4235	5181	5321	5809	2305	2708	2768	2976	4986	5857	5986	6435
350S - 97	0.1017	0.1525	50	4002	5631	5873	6713	6416	7850	8062	8802	3493	4103	4194	4508	7555	8874	9070	9751
362S - 18	0.0188	0.0843	33	123	195	206	243	155	216	225	256	53	70	73	82	108	142	147	165
362S - 27	0.0283	0.0796	33	266	411	433	508	362	487	505	570	144	184	190	211	301	386	398	442
362S - 30	0.0312	0.0781	33	320	491	516	604	442	589	611	687	181	230	237	262	381	484	499	553
362S - 33	0.0346	0.0764	33	388	591	621	726	545	721	747	839	229	289	298	329	486	613	632	698
362S - 43	0.0451	0.0712	33	636	950	997	1160	930	1207	1248	1391	415	514	528	579	895	1109	1140	1250
362S - 54	0.0566	0.0849	33	946	1391	1458	1687	1423	1815	1873	2075	675	823	845	921	1459	1779	1826	1992
362S - 54	0.0566	0.0849	50	1433	2108	2208	2557	2156	2750	2838	3144	1022	1246	1280	1395	2211	2695	2767	3017
362S - 68	0.0713	0.1069	33	1414	2045	2138	2463	2182	2737	2819	3105	1096	1316	1349	1463	2371	2847	2918	3163
362S - 68	0.0713	0.1069	50	2143	3098	3239	3732	3307	4147	4271	4705	1661	1995	2044	2216	3592	4314	4421	4793
362S - 97	0.1017	0.1525	33	2641	3716	3875	4430	4234	5180	5320	5809	2292	2693	2752	2959	4957	5823	5952	6399
362S - 97	0.1017	0.1525	50	4001	5630	5872	6713	6416	7849	8061	8801	3473	4080	4170	4483	7511	8823	9018	9695
400S - 27	0.0283	0.0796	33	266	411	433	507	362	486	505	569	138	177	182	202	289	370	382	424
400S - 30	0.0312	0.0781	33	320	490	516	604	441	589	611	687	174	221	228	252	366	465	480	531
400S - 33	0.0346	0.0764	33	388	591	621	726	545	721	747	838	221	279	287	317	469	592	610	673
400S - 43	0.0451	0.0712	33	635	950	997	1159	930	1206	1247	1390	403	499	513	563	870	1077	1108	1215
400S - 54	0.0566	0.0849	33	946	1391	1457	1687	1422	1814	1872	2074	658	803	824	899	1424	1736	1782	1943
400S - 54	0.0566	0.0849	50	1433	2107	2207	2556	2155	2748	2836	3143	998	1216	1249	1361	2157	2630	2700	2944
400S - 68	0.0713	0.1069	33	1414	2044	2137	2462	2181	2736	2818	3104	1074	1289	1321	1432	2322	2788	2857	3098
400S - 68	0.0713	0.1069	50	2142	3097	3238	3731	3305	4145	4270	4703	1627	1953	2002	2170	3518	4224	4329	4694
400S - 97	0.1017	0.1525	33	2640	3715	3874	4429	4233	5178	5319	5807	2254	2648	2706	2909	4875	5726	5853	6292
400S - 97	0.1017	0.1525	50	4000	5628	5870	6711	6414	7846	8059	8798	3415	4012	4100	4408	7386	8676	8868	9534
550S - 27	0.0283	0.0796	33	266	410	432	506	361	485	504	568	116	149	154	171	244	312	322	357
550S - 30	0.0312	0.0781	33	319	489	515	603	441	588	610	686	149	189	195	216	314	399	411	455
550S - 33	0.0346	0.0764	33	387	590	620	724	544	720	746	836	192	242	250	276	407	514	530	585
550S - 43	0.0451	0.0712	33	634	948	995	1157	928	1204	1245	1388	361	447	459	504	778	964	991	1087
550S - 54	0.0566	0.0849	33	944	1389	1455	1684	1420	1811	1869	2071	600	732	751	819	1298	1582	1624	1771
550S - 54	0.0566	0.0849	50	1431	2104	2204	2552	2152	2744	2832	3138	909	1108	1138	1241	1966	2397	2461	2683
550S - 68	0.0713	0.1069	33	1412	2041	2134	2459	2179	2732	2814	3100	993	1192	1222	1324	2147	2578	2642	2864
550S - 68	0.0713	0.1069	50	2139	3092	3234	3726	3301	4139	4264	4697	1504	1806	1851	2007	3253	3906	4003	4340
550S - 97	0.1017	0.1525	33	2637	3710	3870	4424	4228	5172	5313	5800	2119	2489	2544	2735	4583	5383	5502	5915
550S - 97	0.1017	0.1525	50	3995	5622	5863	6703	6406	7837	8049	8788	3211	3771	3855	4144	6944	8157	8337	8963

See Web Crippling Load Table Notes page 77.

Web Crippling Load Tables

Allowable Web Crippling Loads (lbs) - Back-to-Back Members

Member	Design Thickness	Inside Radius	Yield Str	Condition 1				Condition 2				Condition 3				Condition 4							
				1	3.5	4	6	1	3.5	4	6	1	3.5	4	6	1	3.5	4	6				
600S - 30	0.0312	0.0781	33	319	489	514	602	1	440	587	609	685	1	141	180	185	205	1	298	379	391	433	1
600S - 33	0.0346	0.0764	33	387	589	619	724	1	543	719	745	836	1	183	231	238	263	1	389	491	506	559	1
600S - 43	0.0451	0.0712	33	634	948	995	1157	1	928	1204	1245	1387	1	348	431	443	486	1	751	930	956	1048	1
600S - 54	0.0566	0.0849	33	944	1388	1454	1683	1	1420	1810	1868	2070	1	583	710	729	795	1	1260	1536	1577	1719	1
600S - 54	0.0566	0.0849	50	1430	2103	2203	2551	1	2151	2743	2831	3136	1	883	1076	1105	1205	1	1909	2327	2389	2605	1
600S - 68	0.0713	0.1069	33	1411	2040	2133	2458	1	2178	2731	2813	3099	1	968	1163	1192	1292	1	2095	2515	2577	2794	1
600S - 68	0.0713	0.1069	50	2138	3091	3233	3724	1	3299	4138	4262	4695	1	1467	1762	1806	1958	1	3173	3811	3905	4234	1
600S - 97	0.1017	0.1525	50	3994	5620	5861	6701	1	6404	7834	8046	8785	1	3150	3700	3781	4065	1	6812	8001	8178	8792	1
600S - 118	0.1242	0.1863	50	5696	7892	8218	9351	1	9325	11257	11543	12540	1	4808	5583	5698	6097	1	10398	12074	12322	13187	1
800S - 43	0.0451	0.0712	33	633	946	993	1154		926	1202	1242	1384		302	374	384	421		651	806	829	909	
800S - 54	0.0566	0.0849	33	942	1386	1452	1681		1417	1807	1865	2067		519	633	650	709		1123	1369	1405	1532	
800S - 54	0.0566	0.0849	50	1428	2100	2200	2546		2147	2738	2826	3131		787	959	985	1074		1701	2074	2129	2322	
800S - 68	0.0713	0.1069	33	1409	2037	2130	2455		2174	2727	2809	3094		881	1058	1084	1175		1905	2287	2344	2542	
800S - 68	0.0713	0.1069	50	2135	3087	3228	3719		3295	4132	4256	4688		1335	1602	1642	1780		2886	3466	3552	3851	
800S - 97	0.1017	0.1525	50	3989	5613	5854	6692		6396	7825	8036	8774		2929	3441	3517	3781		6335	7442	7606	8177	
800S - 118	0.1242	0.1863	50	5690	7883	8209	9341		9314	11244	11530	12526		4514	5241	5349	5724		9762	11335	11568	12380	
1000S - 54	0.0566	0.0849	33	941	1384	1450	1678		1415	1805	1863	2064		464	565	580	633		1003	1222	1255	1368	
1000S - 54	0.0566	0.0849	50	1426	2097	2196	2543		2144	2735	2822	3127		702	856	879	959		1519	1852	1901	2073	
1000S - 68	0.0713	0.1069	33	1407	2035	2128	2451		2172	2723	2805	3090		804	965	989	1073		1739	2088	2140	2320	
1000S - 68	0.0713	0.1069	50	2132	3083	3224	3714		3290	4126	4250	4682		1218	1463	1499	1625		2635	3164	3242	3515	
1000S - 97	0.1017	0.1525	50	3985	5607	5848	6685		6389	7816	8028	8764		2737	3215	3286	3533		5919	6953	7107	7640	
1000S - 118	0.1242	0.1863	50	5684	7875	8200	9332		9305	11233	11519	12514		4257	4943	5045	5399		9208	10691	10911	11677	
1200S - 68	0.0713	0.1069	33	1406	2032	2125	2449		2169	2720	2802	3086		735	883	904	981		1590	1909	1956	2121	
1200S - 68	0.0713	0.1069	50	2130	3079	3220	3710		3287	4122	4245	4676		1114	1337	1370	1486		2408	2892	2964	3213	
1200S - 97	0.1017	0.1525	50	3981	5601	5842	6678		6383	7808	8020	8756		2564	3012	3078	3309		5545	6514	6658	7158	
1200S - 118	0.1242	0.1863	50	5679	7868	8193	9323		9297	11223	11508	12503		4027	4676	4772	5107		8710	10113	10321	11046	
1400S - 68	0.0713	0.1069	33	1404	2030	2123	2446		2167	2717	2799	3083		672	806	826	896		1452	1744	1787	1938	
1400S - 68	0.0713	0.1069	50	2127	3076	3216	3706		3283	4117	4241	4671		1018	1222	1252	1358		2201	2642	2708	2936	
1400S - 97	0.1017	0.1525	50	3977	5596	5837	6672		6377	7801	8013	8748		2406	2826	2888	3105		5203	6111	6246	6715	
1400S - 118	0.1242	0.1863	50	5674	7862	8186	9316		9289	11214	11499	12492		3817	4432	4523	4840		8254	9584	9781	10468	
1600S - 97	0.1017	0.1525	50	3974	5592	5832	6667		6372	7795	8006	8741		2259	2653	2712	2915		4885	5738	5864	6305	
1600S - 118	0.1242	0.1863	50	5670	7856	8180	9309		9282	11205	11490	12483		3621	4205	4291	4592		7832	9093	9281	9932	

¹ Bearing length to web height ratio, N/h, exceeds limit of 1.0

² Bearing length to thickness ratio, N/t, exceeds limit of 210

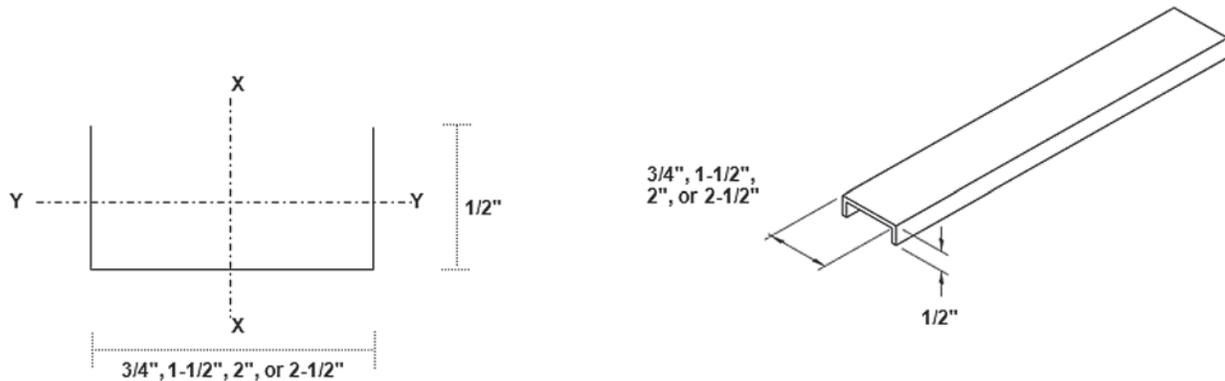
See Web Crippling Load Table Notes page 77.

Channel Properties

U-Channel Section Properties

Section	Design Thickness (in)	Yield strength, Fy (ksi)	Gross Properties						Effective Properties			
			Area	Weight	Ix	Rx	Iy	Ry	Ix	Sx	Ma	Va
			(in ²)	(lb/ft)	(in ⁴)	(in)	(in ⁴)	(in)	(in ⁴)	(in ³)	(in-k)	(lb)
075U050-54	0.0566	33	0.087	0.296	0.007	0.289	0.002	0.156	0.007	0.019	0.459	315
150U050-54	0.0566	33	0.130	0.441	0.039	0.549	0.003	0.146	0.039	0.052	1.230	840
200U050-54	0.0566	33	0.158	0.537	0.080	0.711	0.003	0.137	0.080	0.080	1.883	1190
250U050-54	0.0566	33	0.186	0.633	0.140	0.868	0.003	0.130	0.140	0.112	2.648	1540

1. Calculated properties are based on AISI S100-16, "North American Specification for Design of Cold-Formed Steel Structural Members."
2. Minimum base metal thickness is 95% of design thickness.
3. Effective properties are based on Fy=33ksi.



U-Channel Allowable Ceiling Spans L/360

Member	Spans	4 psf					6 psf					13 psf					15 psf				
		Channel Spacing (in) o.c.					Channel Spacing (in) o.c.					Channel Spacing (in) o.c.					Channel Spacing (in) o.c.				
		24	36	48	60	72	24	36	48	60	72	24	36	48	60	72	24	36	48	60	72
075U050-54	Single	3' 5"	3' 0"	2' 9"	2' 6"	2' 4"	3' 0"	2' 7"	2' 4"	2' 2"	2' 1"	2' 4"	2' 0"	1' 10"	1' 8"	1' 7"	2' 2"	1' 11"	1' 9"	1' 7"	1' 6"
	Multiple	4' 2"	3' 8"	3' 4"	3' 1"	2' 11"	3' 8"	3' 2"	2' 11"	2' 8"	2' 7"	2' 10"	2' 6"	2' 3"	2' 1"	1' 11"	2' 8"	2' 4"	2' 2"	2' 0"	1' 9"
150U050-54	Single	5' 6"	4' 10"	4' 5"	4' 1"	3' 10"	4' 10"	4' 3"	3' 10"	3' 7"	3' 5"	3' 9"	3' 4"	3' 0"	2' 9"	2' 7"	3' 7"	3' 2"	2' 10"	2' 7"	2' 5"
	Multiple	7' 1"	6' 2"	5' 8"	5' 3"	4' 11"	6' 2"	5' 5"	4' 11"	4' 7"	4' 4"	4' 10"	4' 2"	3' 9"	3' 4"	3' 0"	4' 7"	4' 0"	3' 6"	3' 1"	2' 9"
200U050-54	Single	5' 10"	5' 1"	4' 8"	4' 4"	4' 1"	5' 1"	4' 6"	4' 1"	3' 10"	3' 7"	4' 0"	3' 6"	3' 2"	3' 0"	2' 10"	3' 10"	3' 4"	3' 1"	2' 10"	2' 8"
	Multiple	7' 5"	6' 6"	5' 11"	5' 6"	5' 2"	6' 6"	5' 8"	5' 2"	4' 10"	4' 7"	5' 1"	4' 5"	4' 0"	3' 9"	3' 6"	4' 10"	4' 3"	3' 10"	3' 7"	3' 2"
250U050-54	Single	6' 1"	5' 4"	4' 10"	4' 6"	4' 3"	5' 4"	4' 8"	4' 3"	4' 0"	3' 9"	4' 2"	3' 8"	3' 4"	3' 1"	2' 11"	4' 0"	3' 6"	3' 2"	3' 0"	2' 10"
	Multiple	7' 9"	6' 9"	6' 2"	5' 9"	5' 5"	6' 9"	5' 11"	5' 5"	5' 0"	4' 9"	5' 3"	4' 7"	4' 3"	3' 11"	3' 9"	5' 0"	4' 5"	4' 0"	3' 9"	3' 7"

U-Channel Allowable Ceiling Spans L/240

Member	Spans	4 psf					6 psf					13 psf					15 psf				
		Channel Spacing (in) o.c.					Channel Spacing (in) o.c.					Channel Spacing (in) o.c.					Channel Spacing (in) o.c.				
		24	36	48	60	72	24	36	48	60	72	24	36	48	60	72	24	36	48	60	72
075U050-54	Single	3' 11"	3' 5"	3' 1"	2' 11"	2' 9"	3' 5"	3' 0"	2' 9"	2' 6"	2' 4"	2' 8"	2' 4"	2' 1"	1' 11"	1' 9"	2' 6"	2' 2"	2' 0"	1' 10"	1' 8"
	Multiple	4' 10"	4' 2"	3' 10"	3' 7"	3' 4"	4' 2"	3' 8"	3' 4"	3' 1"	2' 10"	3' 3"	2' 9"	2' 4"	2' 1"	1' 11"	3' 1"	2' 7"	2' 2"	2' 0"	1' 9"
150U050-54	Single	5' 6"	4' 10"	4' 5"	4' 1"	3' 10"	4' 10"	4' 3"	3' 10"	3' 7"	3' 5"	3' 9"	3' 4"	3' 0"	2' 9"	2' 7"	3' 7"	3' 2"	2' 10"	2' 7"	2' 5"
	Multiple	7' 1"	6' 2"	5' 8"	5' 3"	4' 11"	6' 2"	5' 5"	4' 11"	4' 7"	4' 4"	4' 10"	4' 2"	3' 9"	3' 4"	3' 0"	4' 7"	4' 0"	3' 6"	3' 1"	2' 9"
200U050-54	Single	5' 10"	5' 1"	4' 8"	4' 4"	4' 1"	5' 1"	4' 6"	4' 1"	3' 10"	3' 7"	4' 0"	3' 6"	3' 2"	3' 0"	2' 10"	3' 10"	3' 4"	3' 1"	2' 10"	2' 8"
	Multiple	7' 5"	6' 6"	5' 11"	5' 6"	5' 2"	6' 6"	5' 8"	5' 2"	4' 10"	4' 7"	5' 1"	4' 5"	4' 0"	3' 9"	3' 6"	4' 10"	4' 3"	3' 10"	3' 7"	3' 2"
250U050-54	Single	6' 1"	5' 4"	4' 10"	4' 6"	4' 3"	5' 4"	4' 8"	4' 3"	4' 0"	3' 9"	4' 2"	3' 8"	3' 4"	3' 1"	2' 11"	4' 0"	3' 6"	3' 2"	3' 0"	2' 10"
	Multiple	7' 9"	6' 9"	6' 2"	5' 9"	5' 5"	6' 9"	5' 11"	5' 5"	5' 0"	4' 9"	5' 3"	4' 7"	4' 3"	3' 11"	3' 9"	5' 0"	4' 5"	4' 0"	3' 9"	3' 7"

U-Channel Allowable Ceiling Spans L/120

Member	Spans	4 psf					6 psf					13 psf					15 psf				
		Channel Spacing (in) o.c.					Channel Spacing (in) o.c.					Channel Spacing (in) o.c.					Channel Spacing (in) o.c.				
		24	36	48	60	72	24	36	48	60	72	24	36	48	60	72	24	36	48	60	72
075U050-54	Single	4' 10"	4' 1"	3' 7"	3' 3"	3' 0"	4' 1"	3' 5"	3' 0"	2' 9"	2' 6"	2' 11"	2' 5"	2' 2"	1' 11"	1' 9"	2' 9"	2' 4"	2' 0"	1' 10"	1' 8"
	Multiple	5' 5"	4' 6"	4' 2"	3' 10"	3' 5"	4' 6"	3' 11"	3' 5"	3' 2"	2' 11"	3' 5"	2' 9"	2' 4"	2' 1"	1' 11"	3' 1"	2' 7"	2' 2"	2' 0"	1' 9"
150U050-54	Single	5' 6"	4' 10"	4' 5"	4' 1"	3' 10"	4' 10"	4' 3"	3' 10"	3' 7"	3' 5"	3' 9"	3' 4"	3' 0"	2' 9"	2' 7"	3' 7"	3' 2"	2' 10"	2' 7"	2' 5"
	Multiple	7' 1"	6' 2"	5' 8"	5' 3"	4' 11"	6' 2"	5' 5"	4' 11"	4' 7"	4' 4"	4' 10"	4' 2"	3' 9"	3' 4"	3' 0"	4' 7"	4' 0"	3' 6"	3' 1"	2' 9"
200U050-54	Single	5' 10"	5' 1"	4' 8"	4' 4"	4' 1"	5' 1"	4' 6"	4' 1"	3' 10"	3' 7"	4' 0"	3' 6"	3' 2"	3' 0"	2' 10"	3' 10"	3' 4"	3' 1"	2' 10"	2' 8"
	Multiple	7' 5"	6' 6"	5' 11"	5' 6"	5' 2"	6' 6"	5' 8"	5' 2"	4' 10"	4' 7"	5' 1"	4' 5"	4' 0"	3' 9"	3' 6"	4' 10"	4' 3"	3' 10"	3' 7"	3' 2"
250U050-54	Single	6' 1"	5' 4"	4' 10"	4' 6"	4' 3"	5' 4"	4' 8"	4' 3"	4' 0"	3' 9"	4' 2"	3' 8"	3' 4"	3' 1"	2' 11"	4' 0"	3' 6"	3' 2"	3' 0"	2' 10"
	Multiple	7' 9"	6' 9"	6' 2"	5' 9"	5' 5"	6' 9"	5' 11"	5' 5"	5' 0"	4' 9"	5' 3"	4' 7"	4' 3"	3' 11"	3' 9"	5' 0"	4' 5"	4' 0"	3' 9"	3' 7"

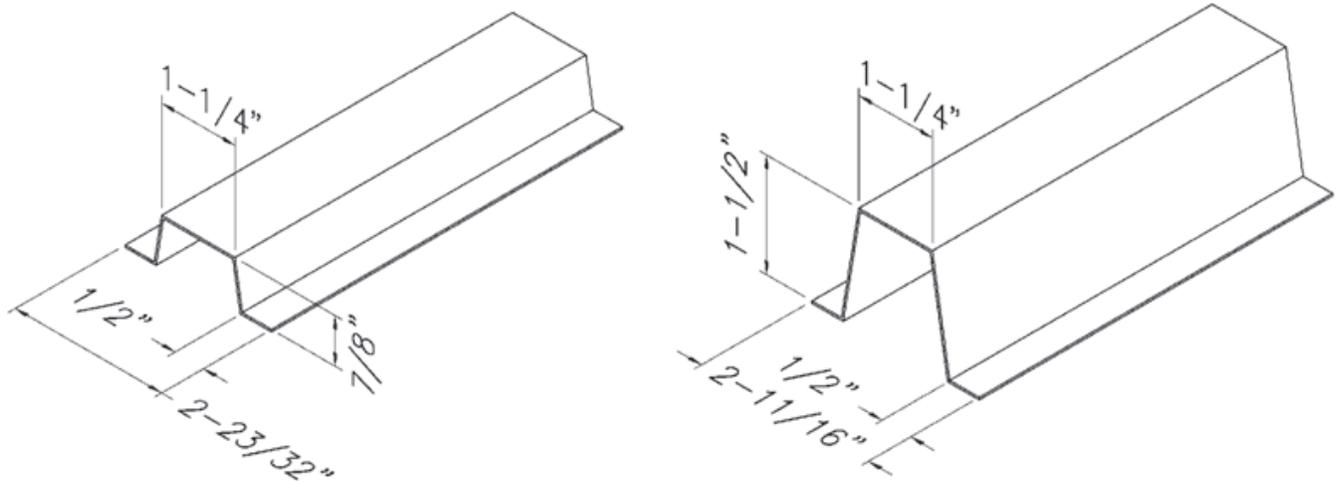
1. Allowable ceiling spans are based on effective properties.
2. Multiple span indicates two or more equal spans with channel continuous over center support.
3. Bearing length = 0.75-inches.
4. Table values are based on the compression flange laterally unsupported.

Channel Properties

(Hat) Furring (F) Channel Section Properties

Section	Design Thickness (in)	Yield strength, Fy (ksi)	Gross Properties						Effective Properties			
			Area	Weight	Ix	Rx	Iy	Ry	Ix	Sx	Ma	Va
			(in ²)	(lb/ft)	(in ⁴)	(in)	(in ⁴)	(in)	(in ⁴)	(in ²)	(ft-lb)	(lb)
087F125-18	0.0188	33	0.072	0.244	0.009	0.354	0.035	0.698	0.008	0.016	26.61	255
087F125-27	0.0283	33	0.107	0.365	0.013	0.351	0.051	0.693	0.013	0.027	45.20	381
087F125-30	0.0312	33	0.118	0.401	0.014	0.350	0.056	0.691	0.014	0.031	50.98	420
087F125-33	0.0346	33	0.130	0.443	0.016	0.349	0.062	0.689	0.016	0.034	56.23	464
087F125-43	0.0451	33	0.168	0.572	0.020	0.345	0.079	0.684	0.020	0.043	71.00	599
150F125-18	0.0188	33	0.095	0.324	0.031	0.572	0.052	0.742	0.029	0.034	56.73	261
150F125-27	0.0283	33	0.143	0.485	0.046	0.569	0.077	0.737	0.046	0.057	94.22	390
150F125-30	0.0312	33	0.157	0.534	0.051	0.568	0.085	0.735	0.050	0.064	105.92	429
150F125-33	0.0346	33	0.174	0.590	0.056	0.566	0.093	0.733	0.056	0.071	117.31	474
150F125-43	0.0451	33	0.225	0.764	0.071	0.563	0.119	0.728	0.071	0.091	149.70	613

1. Calculated properties are based on AISI S100-16, "North American Specification for Design of Cold-Formed Steel Structural Members."
2. Minimum base metal thickness is 95% of design thickness. Design thickness used for determination of properties.
3. Effective properties are based on Fy=33ksi. For deflection calculations, use effective Ix. Effective Ix is based on Procedure 1 of S-100.
4. Effective properties are given as the minimum value for positive or negative bending.



(Hat) Furring (F) Channel Allowable Ceiling Spans L/360

Member	Yield Strength, Fy (ksi)	Spans	4 psf			6 psf			13 psf		
			Spacing (in) o.c.			Spacing (in) o.c.			Spacing (in) o.c.		
			12	16	24	12	16	24	12	16	24
087F125-18	33	Single	4' 5"	4' 0"	3' 6"	3' 10"	3' 6"	3' 1"	3' 0"	2' 9"	2' 5"
		Multiple	5' 6"	5' 0"	4' 4"	4' 9"	4' 4"	3' 10"	3' 8"	3' 4"	2' 10"
087F125-27	33	Single	5' 3"	4' 9"	4' 2"	4' 7"	4' 2"	3' 8"	3' 6"	3' 3"	2' 10"
		Multiple	6' 6"	5' 11"	5' 2"	5' 8"	5' 2"	4' 6"	4' 4"	4' 0"	3' 6"
087F125-30	33	Single	5' 5"	4' 11"	4' 3"	4' 9"	4' 3"	3' 9"	3' 8"	3' 4"	2' 11"
		Multiple	6' 8"	6' 1"	5' 3"	5' 10"	5' 3"	4' 7"	4' 6"	4' 1"	3' 7"
087F125-33	33	Single	5' 7"	5' 1"	4' 5"	4' 10"	4' 5"	3' 10"	3' 9"	3' 5"	3' 0"
		Multiple	6' 11"	6' 3"	5' 6"	6' 0"	5' 6"	4' 9"	4' 8"	4' 3"	3' 8"
087F125-43	33	Single	6' 0"	5' 6"	4' 9"	5' 3"	4' 9"	4' 2"	4' 1"	3' 8"	3' 3"
		Multiple	7' 5"	6' 9"	5' 11"	6' 6"	5' 11"	5' 2"	5' 0"	4' 7"	4' 0"
150F125-18	33	Single	6' 10"	6' 2"	5' 5"	5' 11"	5' 5"	4' 9"	4' 7"	4' 2"	3' 8"
		Multiple	8' 5"	7' 8"	6' 8"	7' 4"	6' 8"	5' 10"	5' 8"	4' 9"	3' 8"
150F125-27	33	Single	7' 11"	7' 3"	6' 4"	6' 11"	6' 4"	5' 6"	5' 4"	4' 11"	4' 3"
		Multiple	9' 10"	8' 11"	7' 10"	8' 7"	7' 10"	6' 10"	6' 8"	6' 0"	5' 3"
150F125-30	33	Single	8' 2"	7' 5"	6' 6"	7' 2"	6' 6"	5' 8"	5' 6"	5' 0"	4' 5"
		Multiple	10' 1"	9' 2"	8' 0"	8' 10"	8' 0"	7' 0"	6' 10"	6' 3"	5' 5"
150F125-33	33	Single	8' 6"	7' 8"	6' 9"	7' 5"	6' 9"	5' 10"	5' 9"	5' 2"	4' 6"
		Multiple	10' 6"	9' 6"	8' 4"	9' 2"	8' 4"	7' 3"	7' 1"	6' 5"	5' 7"
150F125-43	33	Single	9' 2"	8' 4"	7' 4"	8' 0"	7' 4"	6' 4"	6' 2"	5' 8"	4' 11"
		Multiple	11' 4"	10' 4"	9' 0"	9' 11"	9' 0"	7' 11"	7' 8"	7' 0"	6' 1"

1. Allowable ceiling spans are based on effective properties.
2. Multiple span indicates two or more equal spans with channel continuous over center support.
3. Bearing length = 0.75-inches.

Channel Properties



(Hat) Furring (F) Channel Allowable Ceiling Spans L/240

Member	Yield Strength, Fy (ksi)	Spans	4 psf			6 psf			13 psf		
			Spacing (in) o.c.			Spacing (in) o.c.			Spacing (in) o.c.		
			12	16	24	12	16	24	12	16	24
087F125-18	33	Single	5' 1"	4' 7"	4' 0"	4' 5"	4' 0"	3' 6"	3' 5"	3' 1"	2' 9"
		Multiple	6' 3"	5' 8"	5' 0"	5' 6"	5' 0"	4' 3"	4' 1"	3' 6"	2' 10"
087F125-27	33	Single	6' 0"	5' 5"	4' 9"	5' 3"	4' 9"	4' 2"	4' 1"	3' 8"	3' 3"
		Multiple	7' 5"	6' 9"	5' 11"	6' 6"	5' 11"	5' 2"	5' 0"	4' 7"	3' 9"
087F125-30	33	Single	6' 2"	5' 7"	4' 11"	5' 5"	4' 11"	4' 3"	4' 2"	3' 9"	3' 4"
		Multiple	7' 8"	6' 11"	6' 1"	6' 8"	6' 1"	5' 3"	5' 2"	4' 8"	4' 0"
087F125-33	33	Single	6' 5"	5' 10"	5' 1"	5' 7"	5' 1"	4' 5"	4' 4"	3' 11"	3' 5"
		Multiple	7' 11"	7' 2"	6' 3"	6' 11"	6' 3"	5' 6"	5' 4"	4' 10"	4' 2"
087F125-43	33	Single	6' 11"	6' 3"	5' 6"	6' 0"	5' 6"	4' 9"	4' 8"	4' 3"	3' 8"
		Multiple	8' 6"	7' 9"	6' 9"	7' 5"	6' 9"	5' 11"	5' 9"	5' 3"	4' 7"
150F125-18	33	Single	7' 10"	7' 1"	6' 2"	6' 10"	6' 2"	5' 5"	5' 3"	4' 9"	4' 2"
		Multiple	9' 8"	8' 9"	7' 6"	8' 5"	7' 6"	6' 2"	5' 10"	4' 9"	3' 8"
150F125-27	33	Single	9' 1"	8' 3"	7' 3"	7' 11"	7' 3"	6' 4"	6' 2"	5' 7"	4' 11"
		Multiple	11' 3"	10' 3"	8' 11"	9' 10"	8' 11"	7' 10"	7' 7"	6' 7"	5' 5"
150F125-30	33	Single	9' 5"	8' 6"	7' 5"	8' 2"	7' 5"	6' 6"	6' 4"	5' 9"	5' 0"
		Multiple	11' 7"	10' 6"	9' 2"	10' 1"	9' 2"	8' 0"	7' 10"	7' 0"	5' 9"
150F125-33	33	Single	9' 8"	8' 10"	7' 8"	8' 6"	7' 8"	6' 9"	6' 7"	5' 11"	5' 2"
		Multiple	12' 0"	10' 11"	9' 6"	10' 6"	9' 6"	8' 4"	8' 1"	7' 4"	6' 0"
150F125-43	33	Single	10' 6"	9' 7"	8' 4"	9' 2"	8' 4"	7' 4"	7' 1"	6' 5"	5' 8"
		Multiple	13' 0"	11' 10"	10' 4"	11' 4"	10' 4"	9' 0"	8' 9"	8' 0"	6' 9"

(Hat) Furring (F) Channel Allowable Ceiling Spans L/120

Member	Yield Strength, Fy (ksi)	Spans	4 psf			6 psf			13 psf		
			Spacing (in) o.c.			Spacing (in) o.c.			Spacing (in) o.c.		
			12	16	24	12	16	24	12	16	24
087F125-18	33	Single	6' 5"	5' 10"	5' 1"	5' 7"	5' 1"	4' 5"	4' 4"	3' 11"	3' 5"
		Multiple	7' 4"	6' 4"	5' 1"	5' 11"	5' 2"	4' 2"	4' 1"	3' 6"	2' 10"
087F125-27	33	Single	7' 7"	6' 10"	6' 0"	6' 7"	6' 0"	5' 3"	5' 1"	4' 8"	4' 1"
		Multiple	9' 4"	8' 3"	6' 8"	7' 9"	6' 9"	5' 5"	5' 3"	4' 7"	3' 8"
087F125-30	33	Single	7' 9"	7' 1"	6' 2"	6' 10"	6' 2"	5' 5"	5' 3"	4' 9"	4' 2"
		Multiple	9' 7"	8' 9"	7' 1"	8' 3"	7' 2"	5' 9"	5' 7"	4' 10"	3' 11"
087F125-33	33	Single	8' 0"	7' 4"	6' 5"	7' 0"	6' 5"	5' 7"	5' 5"	4' 11"	4' 4"
		Multiple	9' 11"	9' 0"	7' 5"	8' 8"	7' 6"	6' 1"	5' 11"	5' 1"	4' 1"
087F125-43	33	Single	8' 8"	7' 11"	6' 11"	7' 7"	6' 11"	6' 0"	5' 10"	5' 4"	4' 8"
		Multiple	10' 9"	9' 9"	8' 5"	9' 5"	8' 5"	6' 10"	6' 7"	5' 9"	4' 8"
150F125-18	33	Single	9' 10"	8' 11"	7' 10"	8' 7"	7' 10"	6' 10"	6' 8"	6' 0"	5' 3"
		Multiple	10' 8"	9' 3"	7' 6"	8' 8"	7' 6"	6' 1"	5' 10"	4' 5"	2' 11"
150F125-27	33	Single	11' 6"	10' 5"	9' 1"	10' 0"	9' 1"	7' 11"	7' 9"	7' 0"	6' 2"
		Multiple	13' 9"	11' 11"	9' 8"	11' 2"	9' 8"	7' 11"	7' 7"	6' 7"	5' 4"
150F125-30	33	Single	11' 10"	10' 9"	9' 5"	10' 4"	9' 5"	8' 2"	8' 0"	7' 3"	6' 4"
		Multiple	14' 7"	12' 7"	10' 3"	11' 11"	10' 3"	8' 4"	8' 1"	7' 0"	5' 8"
150F125-33	33	Single	12' 3"	11' 1"	9' 8"	10' 8"	9' 8"	8' 6"	8' 3"	7' 6"	6' 7"
		Multiple	15' 1"	13' 3"	10' 9"	12' 6"	10' 10"	8' 10"	8' 6"	7' 4"	6' 0"
150F125-43	33	Single	13' 3"	12' 1"	10' 6"	11' 7"	10' 6"	9' 2"	8' 11"	8' 2"	7' 1"
		Multiple	16' 5"	14' 11"	12' 2"	14' 2"	12' 3"	9' 11"	9' 7"	8' 4"	6' 9"

1. Single spans taken as the minimum span based on moment, shear, web crippling or deflection.
2. Multiple span indicates two or more equal, continuous spans with span length measured support to support.
3. Multiple spans taken as minimum span based on moment, shear, web crippling, deflection combined bending and shear or combined bending and web crippling.
4. Web crippling values based on 1-inch bearing at end and interior supports.

Screw Table Notes

1. Allowable screw connection capacities are based on Section J4 of the AISI S100-16.
2. When connecting materials of different steel thicknesses or tensile strengths, use the lowest values. Tabulated values assume two sheets of equal thickness are connected.
3. Screw shear and tension capacities were developed using published screw manufacturer data and evaluation reports available at the time of publications.
4. A nominal shear stress of 42.85ksi and a nominal tension stress of 40.84ksi was used for calculations based on screw manufacturer data.
5. Screw capacities are based on Allowable Strength Design (ASD) and include a safety factor of 3.0.
6. When multiple fasteners are used, screws are assumed to have a center-to-center spacing of at least 3 times the nominal diameter (d).
7. Screws are assumed to have a center-of-screw to edge-of-steel dimension of at least 1.5 times the nominal diameter (d) of the screw.
8. Tension capacity is based on the lesser of pullout capacity in sheet closest to screw tip, or pullover capacity for sheet closest to screw head (using head diameter).
9. Note that for all tension values calculated in screw table, pullover values have been reduced by 50% assuming eccentrically loaded connections that produce a non-uniform pullover force of the fastener.
10. Screw capacities are governed by a conservative estimate of screw capacity, not by sheet steel failure.
11. For higher screw capacities, especially for screw strength, use specific screws from specific manufacturer. See manufacturer's data for specific allowable values and installation instructions.

Allowable Screw Connection Capacity (Pounds per Screw)

Thickness (Mils)	Yield Strength, F _y (ksi)	Tensile Strength, F _u (ksi)	# 6 Screw		# 8 Screw		# 10 Screw		# 12 Screw		1/4" Screw	
			(0.138" Dia, 1/4" Head)		(0.164" Dia, 5/16" Head)		(0.190" Dia, 3/8" Head)		(0.216" Dia, 3/8" Head)		(0.250" Dia, 1/2" Head)	
			Shear	Tension	Shear	Tension	Shear	Tension	Shear	Tension	Shear	Tension
18	33	33	44	24	48	29	52	33	55	38	60	44
27	33	33	82	37	89	43	96	50	102	57	110	66
30	33	33	95	40	103	48	111	55	118	63	127	73
33	33	45	151	61	164	72	177	84	188	95	203	110
43	33	45	214	79	244	94	263	109	280	124	302	144
54	33	45	214	100	303	118	370	137	394	156	424	180
54	50	65	214	123	303	171	406	198	525	225	613	261
68	33	45	214	123	303	149	406	173	525	196	600	227
68	50	65	214	123	303	173	406	232	525	284	704	328
97	33	45	214	123	303	173	406	232	525	280	704	324
97	50	65	214	123	303	173	406	232	525	300	704	403
118	33	45	214	123	303	173	406	232	525	300	704	396
118	50	65	214	123	303	173	406	232	525	300	704	403

Weld Table Notes

1. Allowable weld capacities are based on Section J2.4 (for fillet welds) and J2.5 (for flare groove welds) of the AISI S100-16.
2. When connecting materials of different steel thicknesses or tensile strengths, use the lowest values.
3. Weld capacities are based on Allowable Strength Design (ASD) and include appropriate safety factors.
4. Weld capacities are based on either 3/32" or 1/8" diameter E60 or E70 Electrodes. For thinner materials, 0.030" to 0.035" diameter wire electrodes may provide best results.
5. Parallel capacity is considered to be loading in the direction of the weld.
6. For flare groove welds, the effective throat of weld is conservatively assumed to be less than 2t.

Allowable Weld Capacity (Pounds) for 1-inch of Weld

Thickness (Mils)	Design Thickness	Fy: Yield (ksi)	Fu: Tensile (ksi)	Fillet Welds		Flare Groove Welds	
				Parallel	Perpendicular	Parallel	Perpendicular
				43	0.0451	33	45
54	0.0566	33	45	822	1084	682	832
54	0.0566	50	65	1188	1566	985	1202
68	0.0713	33	45	1082	1365	859	1048
68	0.0713	50	65	1563	1972	1241	1514
97	0.1017	33	45	1618	1947	1226	1495
97	0.1017	50	65	2337	2813	1771	2159
118	0.1242	33	45	Note-1	Note-1	Note-2	Note-2
118	0.1242	50	65	Note-1	Note-1	Note-2	Note-2

Note-1: For fillet welds, AISI S100 Equation E2.5-4 must be checked for 118 mil material, or whenever the thickness of thinnest part is greater than 0.10-inch.

Note-2: For flare groove welds, AISI S100 Equation E2.6-4 must be checked for 118 mil material, or whenever the thickness of thinnest part is greater than 0.10-inch.

BLOCKING NOTE:
 PLACE SOLID BLOCKING AT ENDS OF FLOOR SYSTEM, ADJACENT TO ALL OPENINGS, AND AT 10'-0" o.c. MAX.

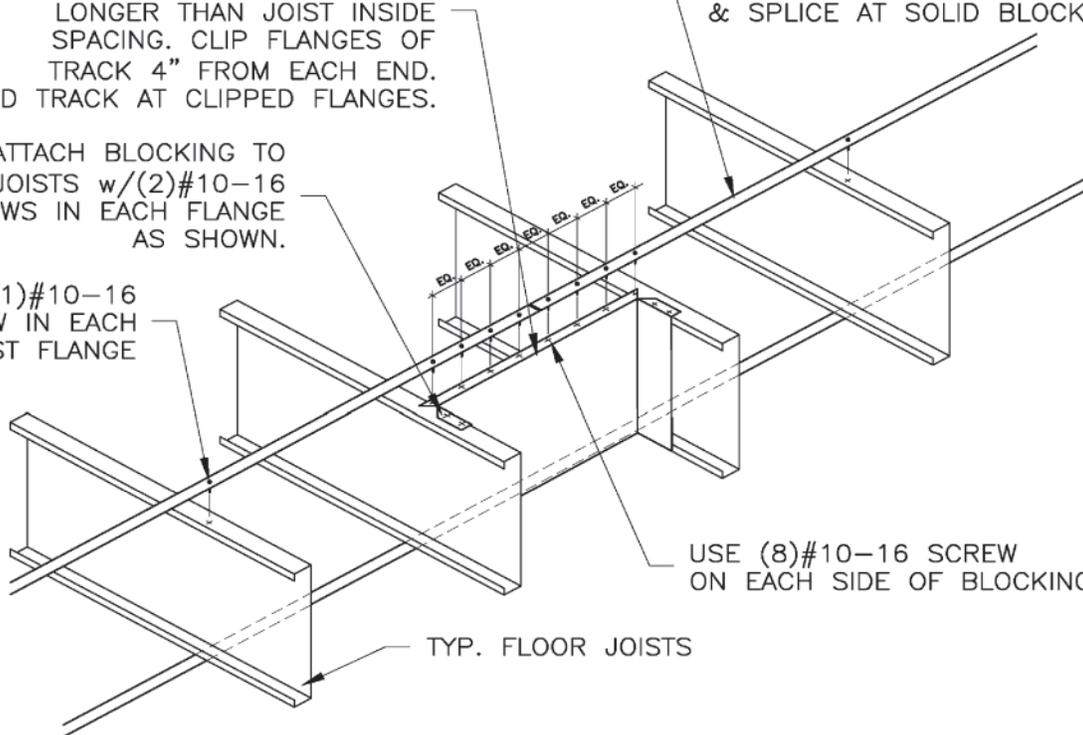
STRAP NOTE:
 TOP STRAP NOT REQ'D. IF CONTINUOUSLY ATTACHED RIGID SHEATHING IS USED. TEMPORARY BRACING OF TOP FLANGE DURING CONSTRUCTION MAY BE REQ'D.

MIN. 18 GA RUNNER TRACK
 SOLID BLOCKING @ 10'-0" o.c.
 MAX. MAKE RUNNER TRACK 8" LONGER THAN JOIST INSIDE SPACING. CLIP FLANGES OF TRACK 4" FROM EACH END. BEND TRACK AT CLIPPED FLANGES.

1-1/2" x 20 GA. STRAPPING ON TOP & BOTTOM OF JOISTS. (STRAPPING TO START, END, & SPLICE AT SOLID BLOCKING)

ATTACH BLOCKING TO JOISTS w/(2)#10-16 SCREWS IN EACH FLANGE AS SHOWN.

(1)#10-16 SCREW IN EACH JOIST FLANGE



USE (8)#10-16 SCREW ON EACH SIDE OF BLOCKING.

TYP. FLOOR JOISTS

BRIDGING RECOMMENDATIONS	
SPANS	ROWS REQUIRED
UP TO 14'	ONE ROW @ MID-SPAN
14' TO 20'	TWO ROWS @ THIRD POINTS
20' TO 26'	THREE ROWS @ QUARTER POINTS

JOIST BRIDGING

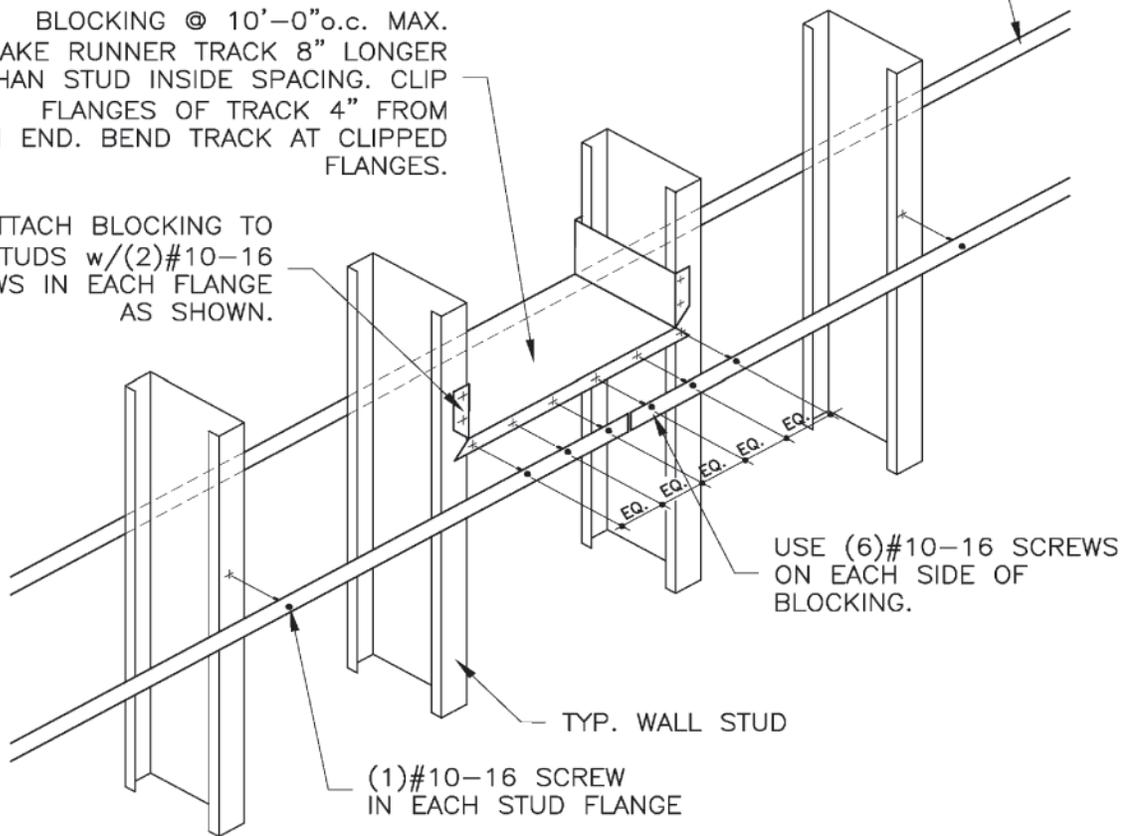
1-1/2" x 20GA. STRAP WITH RUNNER TRACK BLOCKING

BLOCKING NOTE
PLACE SOLID BLOCKING AT ENDS OF WALL SYSTEM, ADJACENT TO ALL OPENINGS, AND AT 10'-0" O.C. MAX

1-1/2" x 20 GA. STRAPPING ON EACH SIDE OF WALL STUDS. (STRAPPING TO START, END, & SPLICE AT SOLID BLOCKING)

MIN. 18 GA RUNNER TRACK SOLID BLOCKING @ 10'-0" o.c. MAX. MAKE RUNNER TRACK 8" LONGER THAN STUD INSIDE SPACING. CLIP FLANGES OF TRACK 4" FROM EACH END. BEND TRACK AT CLIPPED FLANGES.

ATTACH BLOCKING TO WALL STUDS w/(2)#10-16 SCREWS IN EACH FLANGE AS SHOWN.



STRAPPING LATERAL BRACING

1-1/2" x 20GA. STRAP WITH
RUNNER TRACK BLOCKING

As the use of cold-formed steel has grown over the past 60 years, so has the number of resources available to engineers, architects, contractors, and suppliers. The **Resource Center** of the Steel Framing Industry Association web site (www.CFSteel.org/resource-center) is intended to help the design and construction professional cut through the clutter to find needed resource and contains a number of downloadable publications and links to other technical resources.

Technical Guide for Cold-Formed Steel Framing.

A downloadable version of this publication is available here. The current edition of the SFIA Product Technical Guide does not include tables for Ceiling Span conditions that may only be occasionally needed by the designer. These are available in a separate document which can also be downloaded in this section of the Resource Center.

Code Compliance Research Report, CCRR-0224.

The SFIA Code Compliance Research Report (CCRR), issued by Architectural Testing Inc., provides the evidence, technical information, and professional evaluation that standard cold-formed steel framing stud and track manufactured by SFIA members comply with the 2018 International Building Code, 2018 International Residential Code, 2017 Florida Building Code including High Velocity Hurricane Zone (HVHZ), and the 2016 California Building Code.

ICC-Evaluation Service Report, ICC-ES 4205.

Evaluation reports from ICC Evaluation Service® may be used by code officials to verify that building products manufactured by SFIA members comply with code requirements. The evaluation reports provide information about what code requirements or acceptance criteria were used to evaluate the product, how the product should be installed to meet the requirements, how to identify the product, and much more. ES Reports are divided into eleven major areas.

Guide Specifications

Section 05400 - Cold-Formed Metal Framing

For use in the preparation of a project specification section covering cold-formed steel exterior wall studs, floor joists, trusses, ceiling and roof joists, and rafters. Materials may be field installed or shop fabricated and field erected. Studs may be either axially-load bearing or non-axially load bearing.

Section 092216 - Nonstructural Metal Framing

For use in the preparation of a project specification section covering metal framing systems for interior non-load bearing walls, interior ceilings and exterior soffits.

LEED and Sustainability

LEED®ing with Cold-Formed Steel: Cold-formed steel products manufactured by Steel Framing Industry Association members help your project quality for up to 7 points under LEED® v4 for BD+C

Environmental Product Declaration (EPD) for Cold-Formed Steel Framing

EPDs are developed from a Life Cycle Assessment and can help designers earn credits under LEED v4. This EPD represents cold-formed steel (CFS) studs and track made from hot-dip galvanized steel, produced and manufactured in U.S. and Canada. The steel in the studs and track is produced at a mix of steel mill types in the U.S. and Canada, which use both the BOF (basic oxygen furnace) and EAF (electric arc furnace) route for steelmaking

Apparent Sound Insulation in Cold-Formed Steel Buildings

This report provides the Design Professional with information that maybe needed for enhanced sound control in buildings using ASTC rather than STC.

Typical Construction Details

They are intended to provide designers and contractors with guidance on design, detailing, and construction of buildings that utilize cold-formed steel framing members. These products should not be used in design or construction without an independent evaluation by a qualified engineer or architect to verify the suitability of a particular product for use in a specific application.

Directory of Fire and Acoustic Rated Assemblies.

This searchable directory provides the user with the ability to search a comprehensive range of fire and sound-rated cold-formed steel floor, wall and roof assemblies as listed by the major recognized testing agencies.

Wall System Design Center.

An online resource that provides architects, owners, developers, and contractors with needed information about integrated wall and ceiling solutions, including how to assess the performance attributes of the various system components, and to help determine how these various components can impact the overall performance of the system.

August 2018

Question: Can standard products manufactured by SFIA members be used in the Fire Rated assemblies published by the recognized testing agencies?

Answer: Except where the word “proprietary” appears in system or element descriptions, all systems contained within the major fire rated directories (published by the Gypsum Association, UL, Factory Mutual, etc.) are considered generic assemblies utilizing any product of any manufacturer provided that the products meet the appropriate standards.

The steel framing members included in the SFIA Product Technical Guide are considered “generic”, and have been reviewed for compliance with the governing standards, including AISI 2012, the International Building Code (2018), California Building Code (2018) and Florida Building Code (2017), including (HPVZ), and therefore may be used in any rated assemblies published by the GA, UL, FM, or other recognized testing agency. In addition, steel framing members produced by SFIA member companies participate in a code compliance certification program administered by an independent third-party.

SFIA generic framing members that meet the minimum requirements for web depth, thickness, and other characteristics and therefore may be used in the generic published rated assemblies.

Underwriters Laboratories Rated Designs

The individual listings of UL rated designs identify the main elements of an assembly as numbers in a series (for U465: 1. Floor and Ceiling Runners, 2. Steel Studs, 3. Batts and Blankets, 4 Gypsum Board, 5. Joint Tape and Compound, 6. Resilient Channel, 8. Mineral and Fiber Board (optional), etc.). Unless a proprietary product is identified as being the component in the description, that element is generic and any standard product that meets this description is permitted for use in this design.

Alternative products may also be used in place of the standard or generic, and the permitted products identified in three ways, as a second level in the numerical series (i.e., 1A., 1B., 1C., etc.), with an asterisk (*), and with the wording “as an alternate to....” or “in lieu of...”. The products that have been approved for use in lieu of the standard products are then listed in the UL Design.

Submitted by:



Patrick Ford, P.E.
Technical Director



STEEL FRAMING INDUSTRY ASSOCIATION

CODE COMPLIANCE CERTIFICATION PROGRAM

SFIA developed, an industry supported Code Compliance Certification Program endorsed by the Association of the Wall and Ceiling Industry. The program is accessible to all manufacturers to certify that structural and nonstructural cold-formed steel framing they produce complies with the IBC 2018 code requirements.

Structural and nonstructural cold-formed steel framing certification is administered and audited by an independent third Administrator meeting IAS AC98 requirements and demonstrating compliance with ISO/IEC Standard 17020.

The validation process includes a minimum of two unannounced manufacturing audits per year of each facility operated by a manufacturer, as well as on-going random selection and independent testing of certified structural and nonstructural cold-formed steel framing products.

 STEELFRAMINGASSOCIATION.ORG	<p>STRUCTURAL CERTIFIED CODE COMPLIANT TO</p> <ul style="list-style-type: none">✓ IBC 2015✓ ASTM C955✓ ASTM A1003/A1003M✓ AISI S100✓ AISI S200	<p>IAS# AA-676 Independent Inspection by: intertek</p>
<p>Steel Framing Industry Association—Service to the Industry</p>		
 STEELFRAMINGASSOCIATION.ORG	<p>NONSTRUCTURAL CERTIFIED CODE COMPLIANT TO</p> <ul style="list-style-type: none">✓ IBC 2015✓ ASTM C645✓ ASTM A1003/A1003M✓ ASTM B117✓ AISI S220	<p>IAS# AA-676 Independent Inspection by: intertek</p>
<p>Steel Framing Industry Association—Service to the Industry</p>		

Manufacturing facilities that satisfy the requirements for certification are authorized to label structural and nonstructural cold-formed steel framing members they produce as “certified code compliant.” The list of manufacturing facilities with certification authorization stays current by being updated as changes occur and can be found at http://www.archtest.com/certification/SFIA_SteelFraming_Intertek.aspx.



The Steel Framing Industry Association is dedicated to expanding the market for cold-formed steel in construction through programs and initiatives that Promote the use of cold formed steel framing as a sustainable and cost-effective solution, Advocate the development and acceptance of favorable code provisions, Educate members with reliable data and other critical information that is essential to effective business planning, and create a positive environment for Innovation.

The SFIA is the only organization where members come from virtually every facet of the construction industry, including steel mills, coil coaters, stud and connector manufacturers, component fabricators, engineers, researchers, suppliers/distributors, and builders and framing contractors. This uniquely broad membership enables us to identify issues and opportunities, along with programs and solutions that can be effectively implemented across the industry.

513 West Broad Street, Suite 210
Falls Church, VA 22046
Phone: 703-538-1613
Fax: 703-538-1733
membership@steelframingassociation.org
www.steelframingassociation.org

Version 2018.101